

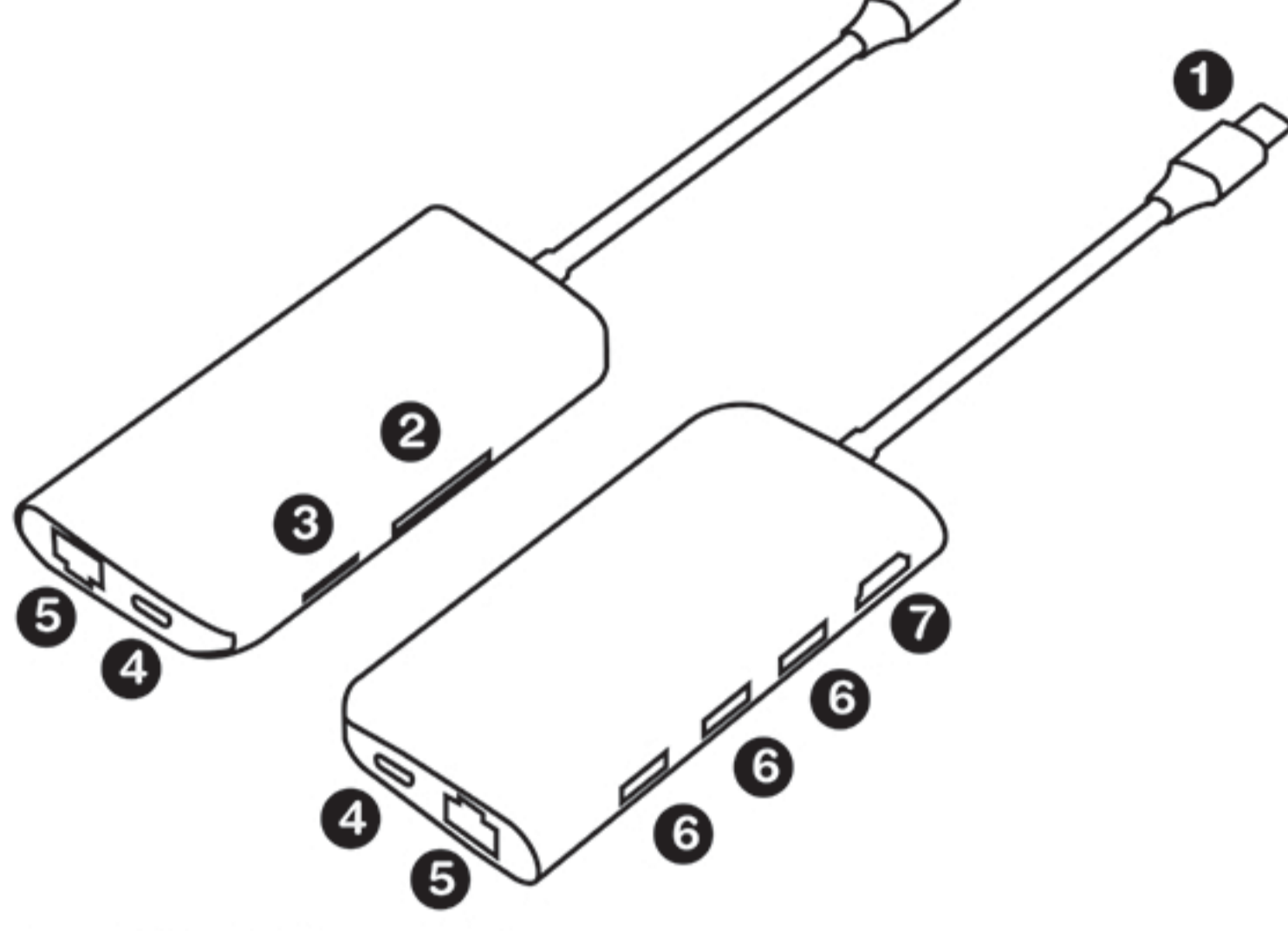
USB-C Multi-Port Hub

Mini Docking Station for your Laptop



User's Guide

Overview



1. **USB-C Host-Link**
2. **SD Card Reader**
3. **MicroSD Card Reader**
4. **USB-C Power Input**
5. **Gigabit Ethernet**
6. **3 USB 3.0 Ports (Up to 5 Gbps)**
7. **HDMI Video Output (Up to 4K)**

Hooking Everything Up

You can use the Multi-Port Hub in either powered or unpowered mode. When powered by your USB-C charger (ie. Macbook power supply), the USB ports support USB powered devices like hard drives and charging your computer. When no power supply is plugged in, the USB ports only work with USB low power devices like flash drives, dongles, keyboards and mice, etc. and the computer is not charging.

Powered Mode:

Plug the Host-Link cable (1) from the Multi-Port Hub into the USB-C port on your computer. Plug the USB-C cable that is used to charge your computer into the USB-C Power Input port (4). With USB-C, the up and down orientation of the cable does not matter.

The full range of USB accessories can be used when in powered mode including USB powered hard drives.

Warning: Do not unplug the external power supply during use! Doing so will result in a short interruption of power to all devices connected to the Multi-Port Hub. This could lead to loss of unsaved data or damage to the hard drive.

Unpowered Mode:

This mode is useful when travelling or giving presentations. Plug the Host-Link cable (1) from the Multi-Port Hub into the USB-C port on your computer. Other than limitations on the USB port, the card reader, ethernet port and HDMI output operate the same in either mode.

USB 3.0 Ports:

USB low powered devices work in both powered and unpowered mode. USB powered devices only work in powered mode.

Card Readers:

Both SD and MicroSD card readers operate in both powered and unpowered mode.

Gigabit Ethernet Port:

The ethernet port automatically detects network speed and operates in 10/100/1000 modes. The Ethernet port works in both powered and unpowered modes.

HDMI Video Output:

Depending on your operating system the HDMI Video Output port supports resolutions up to 4K video (HDMI 1.4) in both powered and unpowered modes.

Thank You

Thank you for purchasing a VP6920 USB-C Multi-Port Hub. It can be used in the office as a mini docking station with your monitor, network cable, keyboard and mouse all available by just plugging in a single USB-C cable. It is also small enough to travel with for hooking up needed accessories on the road.

You can register your product at:

www.smklink.com/register

The VP6920 comes with a one year limited warranty on parts and labor, full details can be found online at:

www.smklink.com/pages/smk-link-product-warranty

Should you need product support you can reach us at:

SMK-Link Electronics

3601-B Calle Tecate

Camarillo, CA 93012, USA

Phone: (888) 696-3500

(805) 987-6662

Fax: (805) 987-6665

Email: pcsupport@smkusa.com

FCC

This equipment has been tested and found to comply with the limits for a class B digital device, pursuant to part 15 of the FCC Rules. These limits are designed to provide reasonable protection against harmful interference in a residential installation. This equipment generates, uses and can radiate radio frequency energy and if not installed and used in accordance with the instructions, may cause harmful interference to radio communications. However, there is no guarantee that interference will not occur in a particular installation. If this equipment does cause harmful interference to radio or television reception, which can be determined by turning the equipment off and on, the user is encouraged to try to correct the interference by one or more of the following measures:

- Reorient or relocate the receiving antenna.
- Increase the separation between the equipment and receiver.
- Connect the equipment into an outlet on a circuit different from that to which the receiver is connected.
- Consult the dealer or an experienced radio/TV technician for help.

In order to maintain compliance with FCC regulations, shielded cables must be used with this equipment. Operation with non-approved equipment or unshielded cables is likely to result in interference to radio and TV reception. The user is cautioned that changes and modifications made to the equipment without the approval of manufacturer could void the user's authority to operate this equipment.

CE

This equipment has been tested and found to comply with the limits of the European Council Directive on the approximation of the law of the member states relating to electromagnetic compatibility (89/336/EEC) according to EN 55022 Class B.