

1U 17in 1080p LCD Rack Console with Front USB Hub

RACKCONS17HD / RKCONS17HDGB



*actual product may vary from photos

DE: Bedienungsanleitung - de.startech.com

FR: Guide de l'utilisateur - fr.startech.com

ES: Guía del usuario - es.startech.com

IT: Guida per l'uso - it.startech.com

NL: Gebruiksaanwijzing - nl.startech.com

PT: Guia do usuário - pt.startech.com

For the most up-to-date information, please visit: www.startech.com

FCC Compliance Statement

This equipment has been tested and found to comply with the limits for a Class B digital device, pursuant to part 15 of the FCC Rules. These limits are designed to provide reasonable protection against harmful interference in a residential installation. This equipment generates, uses and can radiate radio frequency energy and, if not installed and used in accordance with the instructions, may cause harmful interference to radio communications. However, there is no guarantee that interference will not occur in a particular installation. If this equipment does cause harmful interference to radio or television reception, which can be determined by turning the equipment off and on, the user is encouraged to try to correct the interference by one or more of the following measures:

- Reorient or relocate the receiving antenna.
- Increase the separation between the equipment and receiver.
- Connect the equipment into an outlet on a circuit different from that to which the receiver is connected.
- Consult the dealer or an experienced radio/TV technician for help.

Use of Trademarks, Registered Trademarks, and other Protected Names and Symbols

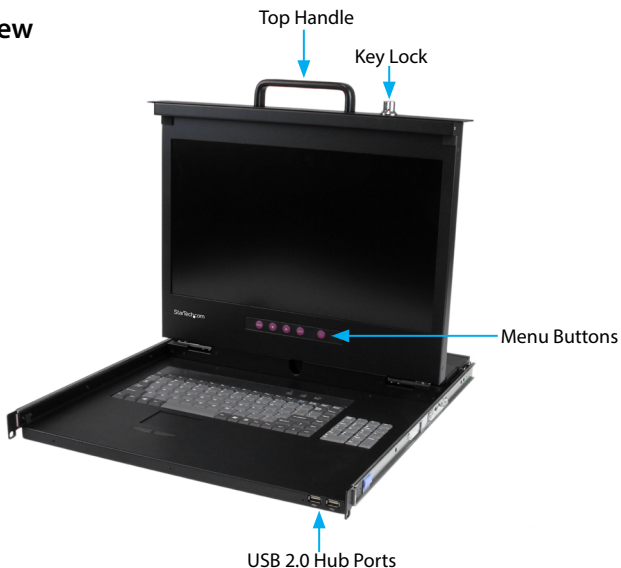
This manual may make reference to trademarks, registered trademarks, and other protected names and/or symbols of third-party companies not related in any way to StarTech.com. Where they occur these references are for illustrative purposes only and do not represent an endorsement of a product or service by StarTech.com, or an endorsement of the product(s) to which this manual applies by the third-party company in question. Regardless of any direct acknowledgement elsewhere in the body of this document, StarTech.com hereby acknowledges that all trademarks, registered trademarks, service marks, and other protected names and/or symbols contained in this manual and related documents are the property of their respective holders.

Table of Contents

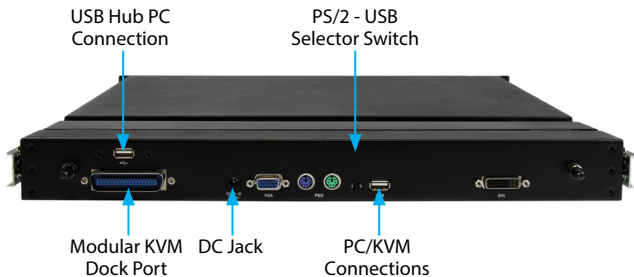
Product Overview	1
Front View	1
Rear View.....	1
Introduction	2
Packaging Contents	2
Front Panel Controls.....	3
Installation	3
Rail Installation A.....	4
Rail Installation B.....	5
Rail Installation C.....	8
Console Installation.....	12
PC / Server Connection	13
Connecting to a KVM Switch	14
Operation	14
Specifications.....	15
Technical Support	16
Warranty Information.....	16

Product Overview

Front View



Rear View



Introduction

Packaging Contents

- 1 x 1U Rack Console
- 1 x Set, Mounting Rails
- 2 x Extended Brackets
- 2 x Short Brackets
- 2 x Short Bracket Attachments
- 2 x Keys
- 1 x 6ft (1.8m) PS/2 VGA KVM Cable
- 1 x 6ft (1.8m) USB A-A Cable
- 6 x #6-32x6 Flat Screws
- 6 x M4x5 Screws
- 1 x Power Adapter
- 1 x Power Cord
- 1 x Instruction Manual

Front Panel Controls

The OSD (On-screen display) offers many different video, positioning and language options. Use the table below to navigate through the menus and change settings as needed.

Controls	Description
	Soft power on/off button. Adjacent LED is lit when on.
Auto	Auto-synchronize and scale down display to any valid factory preset timings.
Up	Press to scroll the function you want to adjust.
Down	Press to scroll the function you want to adjust.
Menu	To access the main menu. This button also acts as the "Enter" button.
Power Indicator	GREEN ON RED STANDBY RED SUSPEND RED OFF

Installation

NOTE: The Rack Console can be installed into racks where the depth measures between 19.84 - 39.37in (504 - 1000 mm). The installation procedure will vary based on the size of your rack:

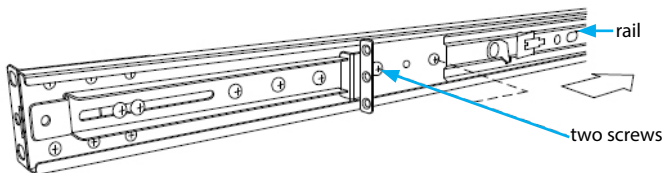
For 24.17 – 31.5in (614 - 800mm) refer to Rail Installation A (most common).

For 19.84 – 24.17in (504 - 614mm) refer to Rail Installation B.

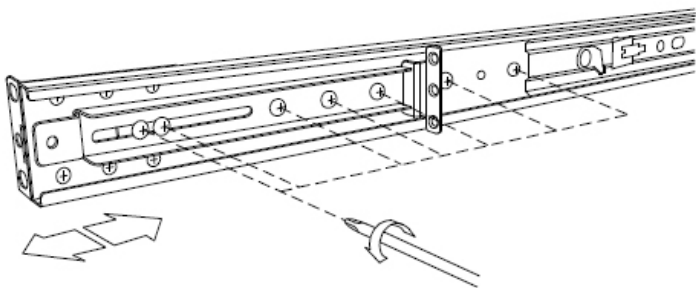
For 31.5 - 39.37in (800 - 1000mm) refer to Rail Installation C.

Rail Installation A

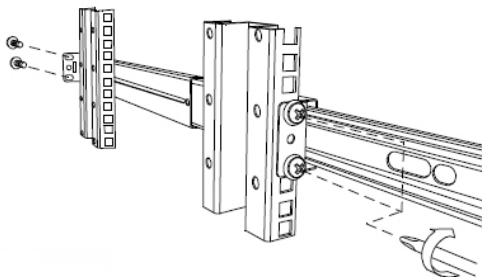
1. Slide the rail outward until two screws appear.



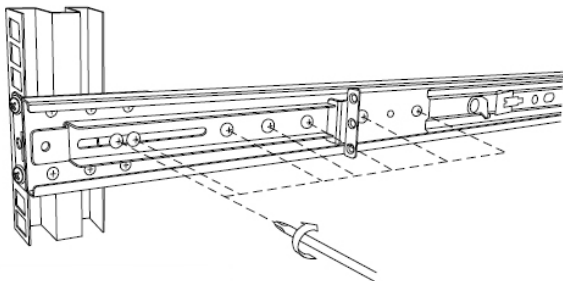
2. Loosen (not remove) the seven screws shown and adjust the rail to fit your rack.



3. Secure both the front and rear brackets to your rack using the appropriate screws / nuts for your rack (not included).



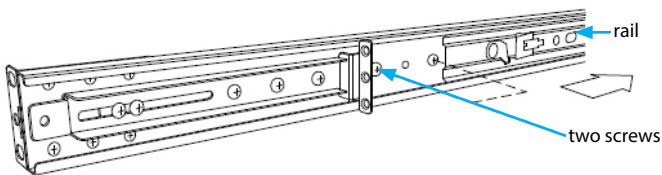
4. Tighten the seven screws loosened in Step 2.



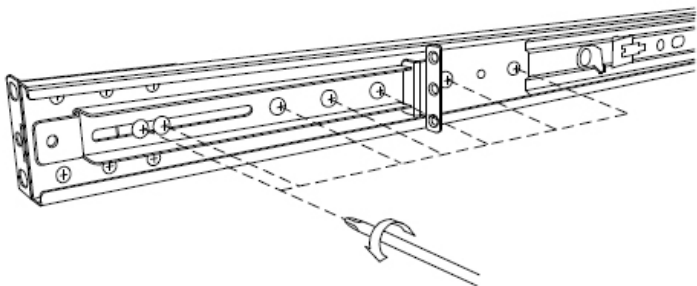
5. Repeat the above steps for the other side.

Rail Installation B

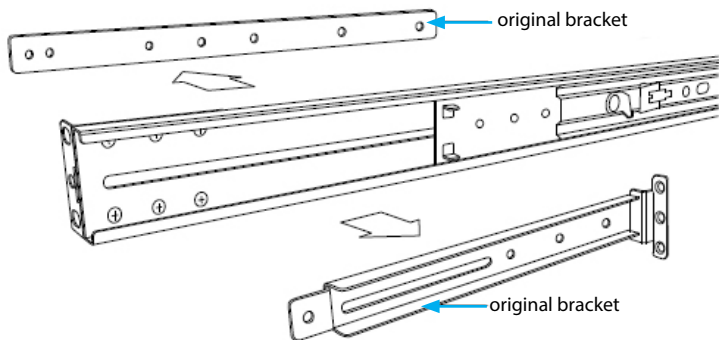
1. Slide the rail outward until two screws appear.



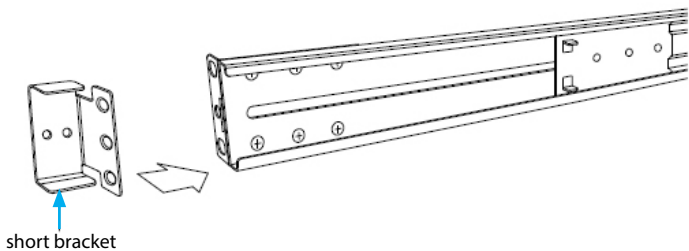
2. Remove the seven screws shown.



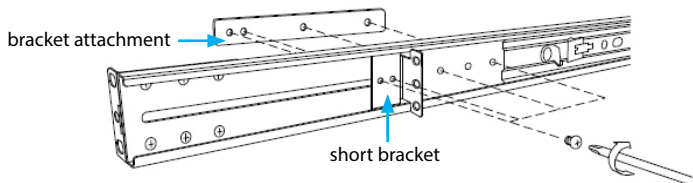
3. Remove the two original brackets from the rail.



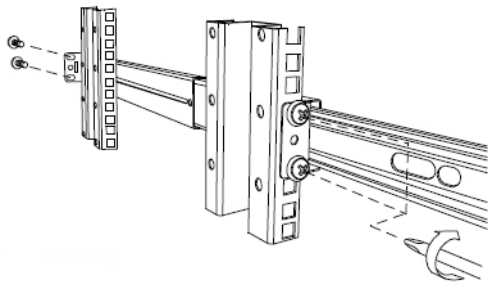
4. Install the Short Bracket to the rail as shown.



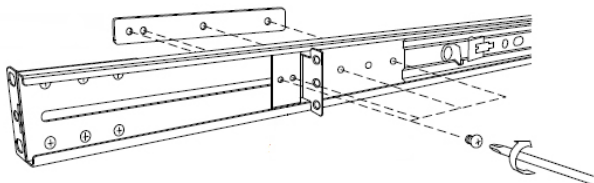
5. Add the Short Bracket Attachment piece to the rail and use four screws to secure them to the rail (don't fully tighten).



6. Secure both the front and rear brackets to your rack using the appropriate screws / nuts for your rack (not included).



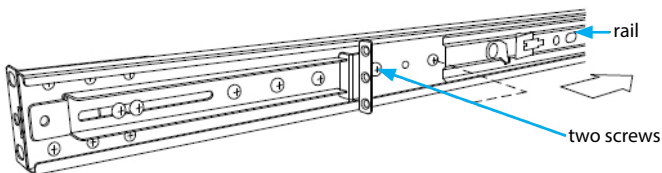
7. Tighten the four screws installed in Step 5.



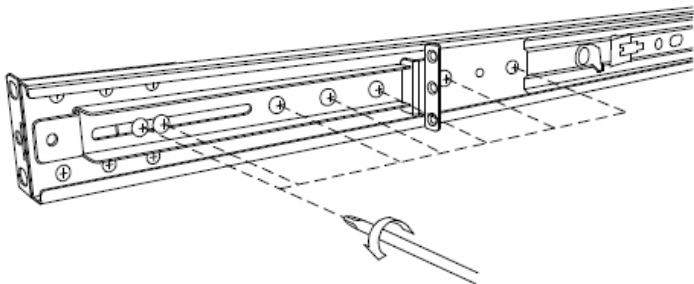
8. Repeat the above steps on the other side.

Rail Installation C

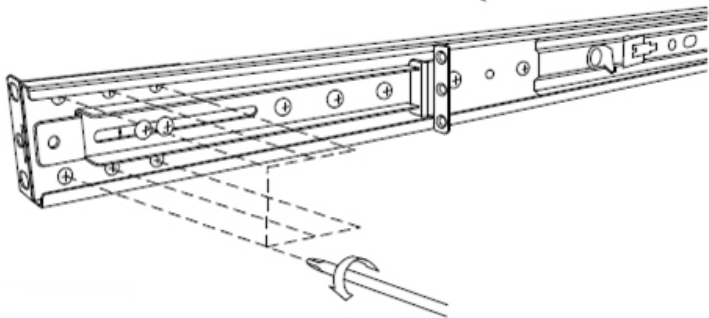
1. Slide the rail outward until two screws appear.



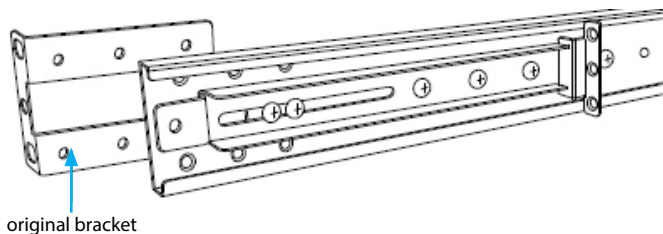
2. Loosen (not remove) the seven screws shown.



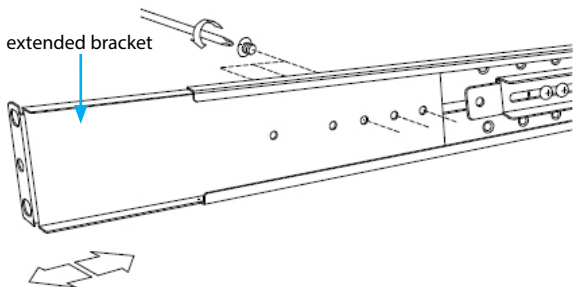
3. Remove the six screws holding the rear bracket.



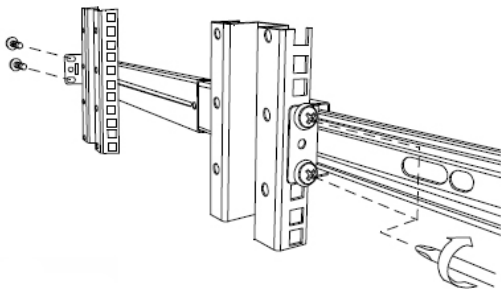
4. Remove the rear bracket from the rail.



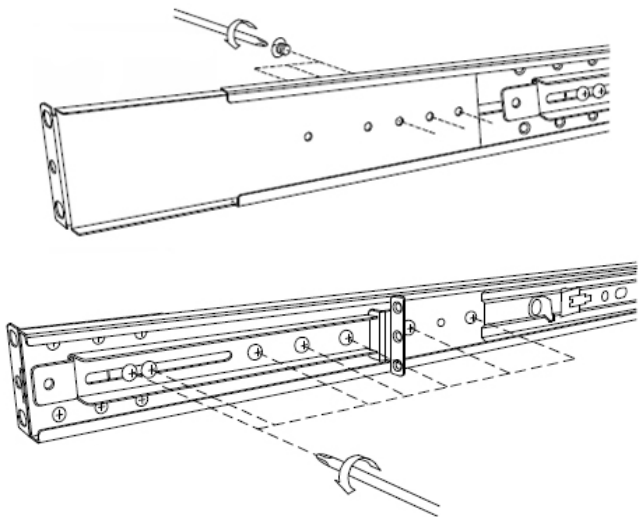
5. Add the Extended bracket to the rail, then adjust the Extended Bracket to fit your cabinet. Install three of the included M4x5 Screws (don't fully tighten) to secure the bracket in place.



6. Secure both the front and rear brackets to your rack using the appropriate screws / nuts for your rack (not included).



7. Tighten the seven screws loosened in step 2, and the three installed in Step 5.

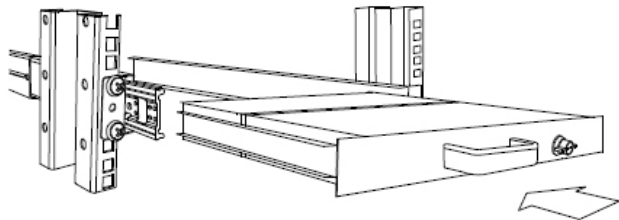


8. Repeat the above steps on the other side.

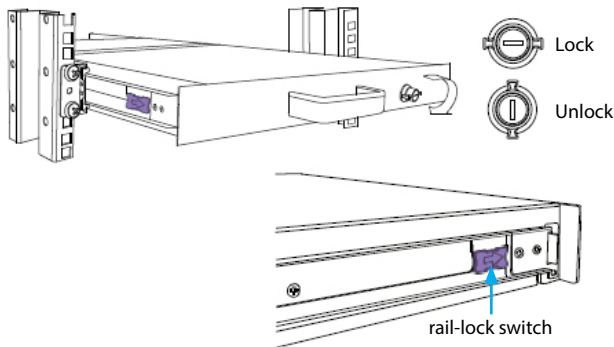
Console Installation

Once the rails have been installed into your rack using one of the above procedures and all loosened screws have been tightened, use the following instructions to install the console into the rack.

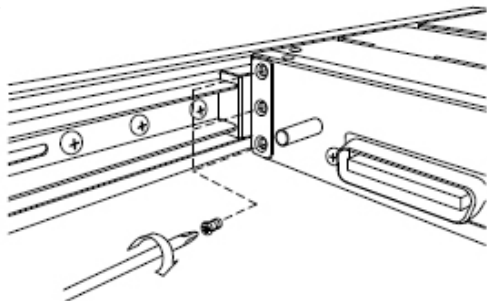
1. Push console into rails.



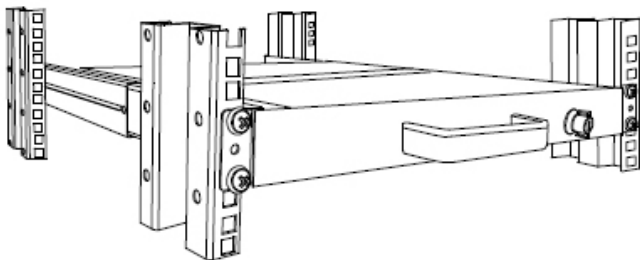
2. Unlock the console lid, then pull the rail-lock switches on both sides to allow the console to slide all the way into the rack.



3. Install three of the included #6-32x6 Flat Screws into the rear of the console on both sides.



Completed installation:



PC / Server Connection

1. Turn off the PC / Server you are connecting to the console.
2. Using one of the included cable sets, connect the appropriate video (VGA / DVI) connector to the video output of your PC / Server. Then connect either the PS/2 keyboard/mouse connectors, or use the USB interface.
3. Connect the other end of the cables to the rear of the console.

NOTE: Move the PS/2-USB Selector Switch on the rear of the console to either side to select your desired interface

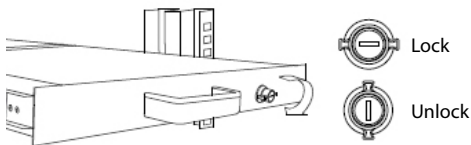
4. Connect the USB Hub connector using one of the included USB A-A cables to the USB connector on your server / KVM switch to enable the front USB hub ports and fingerprint reader (optional).
5. Connect the AC to DC power adapter to the power inlet on the console and then to a power outlet.

Connecting to a KVM Switch

When cascading with a KVM switch, KVM Module can be used to control additional computers from the console. The connection is exactly the same as is shown above (see PC / Server Connection section above). The only difference is the connection would be made to the "CONSOLE PORT" of the KVM switch instead, of a computer.

Operation

1. Once all cables are securely connected and all mounting screws are properly tightened, grasp the Top Handle and pull the console outward, ensure the lock is in the Unlock position and then lift upward to open.



2. Press the Power Button on the front menu controls below the LCD panel, and power on the connected Server or KVM switch.



3. Use the OSD controls to adjust the image as necessary – see the Front Panel Controls section above for instruction.

Specifications

Display Size	17.3"
Panel Type	Active Matrix TFT LED
Maximum Screen Resolution	1920x1080 (Full HD)
Supported Platforms	USB or PS/2
Server / KVM Video Type	DVI or VGA
Response Time	2ms
Contrast Ratio	650:1
Brightness	300cd/m ²
Viewing Angle	140° (H), 120° (V)
Pixel Pitch	0.198 x 0.198 mm
Keyboard/Mouse	106-key US keyboard with touchpad
Console Interface(s)	2x PS/2 (6 pin; Mini-DIN) 1x VGA (15 pin; High Density D-Sub) 1x DVI-I (29 pin) 2x USB A (4 pin)
Other Interface(s)	2x USB A (4 pin)
Chassis Material	Heavy-duty steel
Minimum/Maximum Mounting Depth	22.4 x 34.2 inches (570 – 870 mm)
Power Supply	100~240V AC Input
Power Consumption	10.2W
Operating Temperature	0°C to 50°C (32°F to 122°F)
Storage Temperature	-20°C to 60°C (-4°F to 140°F)
Humidity	10~90% RH
Dimensions (LxWxH)	20.8 x 17.2 x 1.7in (582 x 436 x 44 mm)
Weight	28.7 lbs (13 kg)

Technical Support

StarTech.com's lifetime technical support is an integral part of our commitment to provide industry-leading solutions. If you ever need help with your product, visit www.startech.com/support and access our comprehensive selection of online tools, documentation, and downloads.

For the latest drivers/software, please visit www.startech.com/downloads

Warranty Information

This product is backed by a two year warranty.

In addition, StarTech.com warrants its products against defects in materials and workmanship for the periods noted, following the initial date of purchase. During this period, the products may be returned for repair, or replacement with equivalent products at our discretion. The warranty covers parts and labor costs only. StarTech.com does not warrant its products from defects or damages arising from misuse, abuse, alteration, or normal wear and tear.

Limitation of Liability

In no event shall the liability of StarTech.com Ltd. and StarTech.com USA LLP (or their officers, directors, employees or agents) for any damages (whether direct or indirect, special, punitive, incidental, consequential, or otherwise), loss of profits, loss of business, or any pecuniary loss, arising out of or related to the use of the product exceed the actual price paid for the product. Some states do not allow the exclusion or limitation of incidental or consequential damages. If such laws apply, the limitations or exclusions contained in this statement may not apply to you.

Hard-to-find made easy. At StarTech.com, that isn't a slogan. It's a promise.

StarTech.com is your one-stop source for every connectivity part you need. From the latest technology to legacy products — and all the parts that bridge the old and new — we can help you find the parts that connect your solutions.

We make it easy to locate the parts, and we quickly deliver them wherever they need to go. Just talk to one of our tech advisors or visit our website. You'll be connected to the products you need in no time.

Visit www.startech.com for complete information on all StarTech.com products and to access exclusive resources and time-saving tools.

StarTech.com is an ISO 9001 Registered manufacturer of connectivity and technology parts. StarTech.com was founded in 1985 and has operations in the United States, Canada, the United Kingdom and Taiwan servicing a worldwide market.