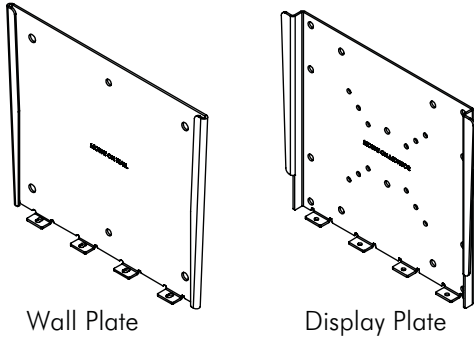
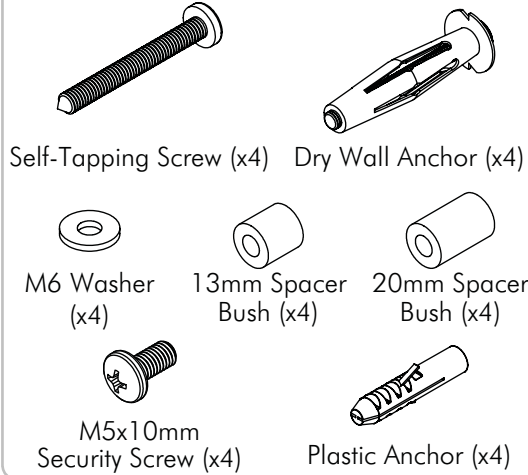


Components Checklist



Hardware



M4x12/25/30mm (x4 each)

M5x12/25/30mm (x4 each)

M6x12/25/30mm (x4 each)

Display Mounting Screws

Tools Required:

- Power Drill
- Phillips Head screwdriver
- 8mm ($\frac{5}{16}$ ") masonry drill bit
- 10mm ($\frac{3}{8}$ ") drill bit
- Spirit Level
- 4mm ($\frac{3}{16}$ ") drill bit

IMPORTANT INFORMATION

! IMPORTANT - Install Wall Mount as per Installation Instructions.

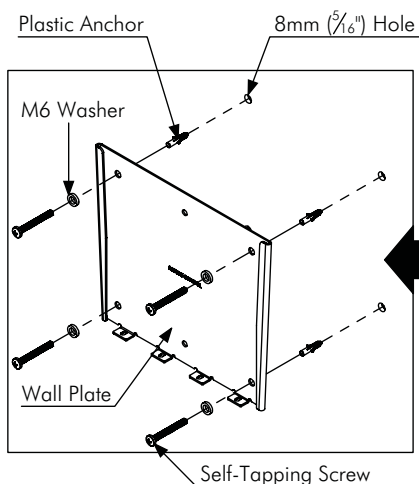
- ! This product supports a maximum load of 50kg (110lbs).
- ! This products only supports VESA compliant displays with 50mmx50mm (2"x2"), 75mmx75mm (3"x3"), 100mmx100mm (4"x4"), 120mmx180mm (4 $\frac{3}{4}$ "x7"), 200mmx100mm (8"x4") and 200mmx200mm (8"x8") mounting hole patterns.
- ! The manufacturer does not accept responsibility for incorrect installation.

Step 1. Check Components

Check you have received all parts against the component checklist and Hardware above.

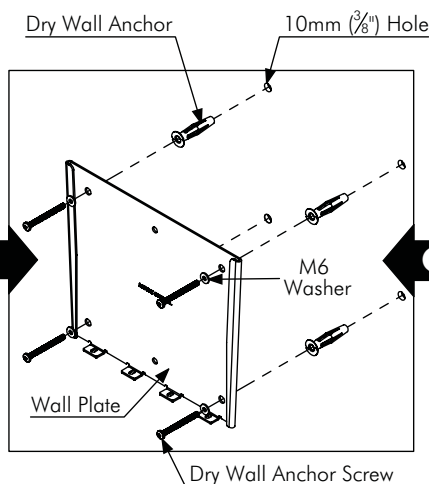
Step 2. Mounting the Wall Plate

Masonry Wall



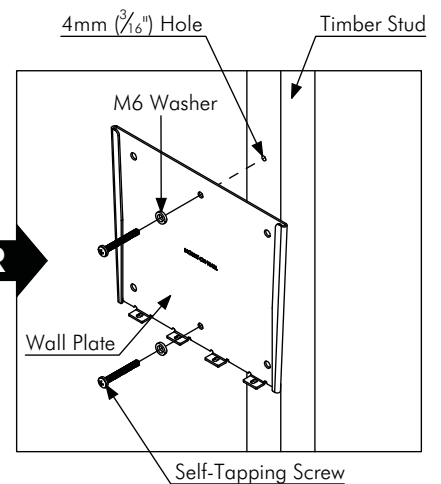
OR

Dry Wall



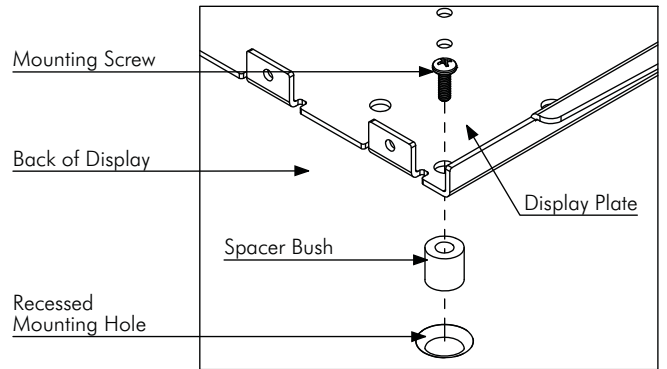
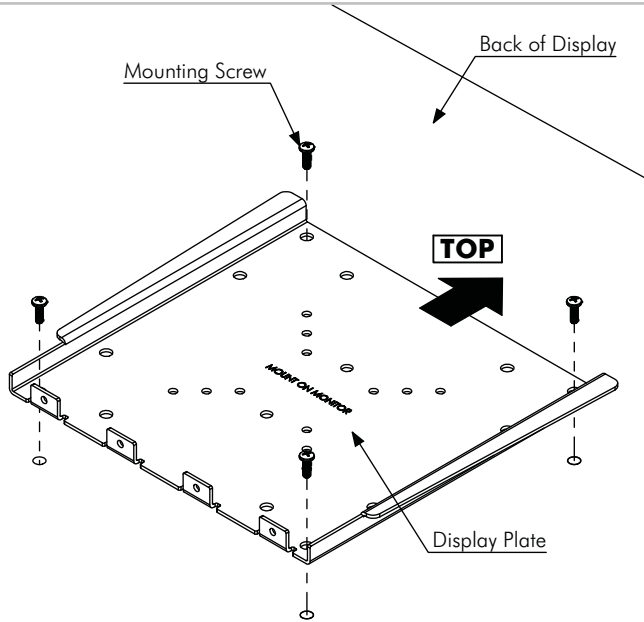
OR

Timber Stud



Tip: Use a spirit level to ensure wall plate is horizontal

Step 3. Mounting the Display Plate

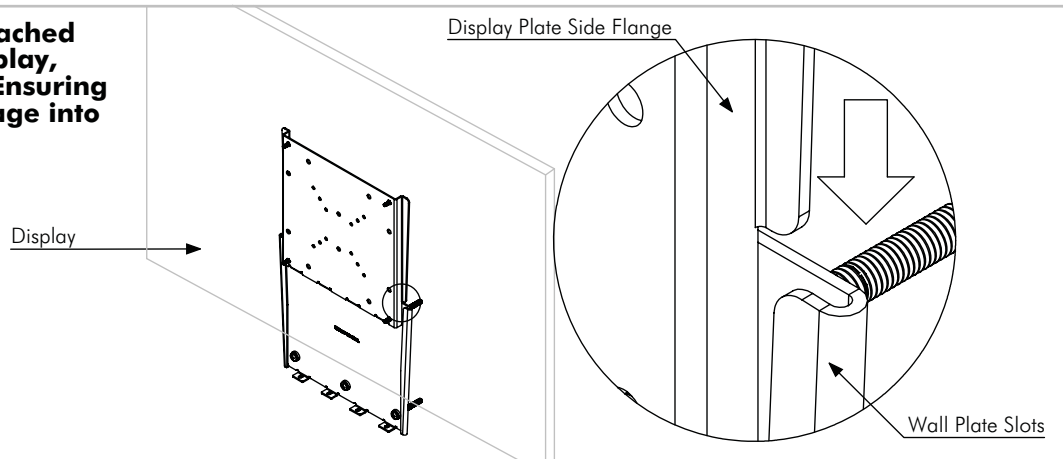


Recessed Mounting Holes

If the mounting holes are recessed into the back of the display, use the supplied Spacer Bushes to pack the recessed holes. Ensure that the correct length mounting screws are used to securely attach the plate to the display.

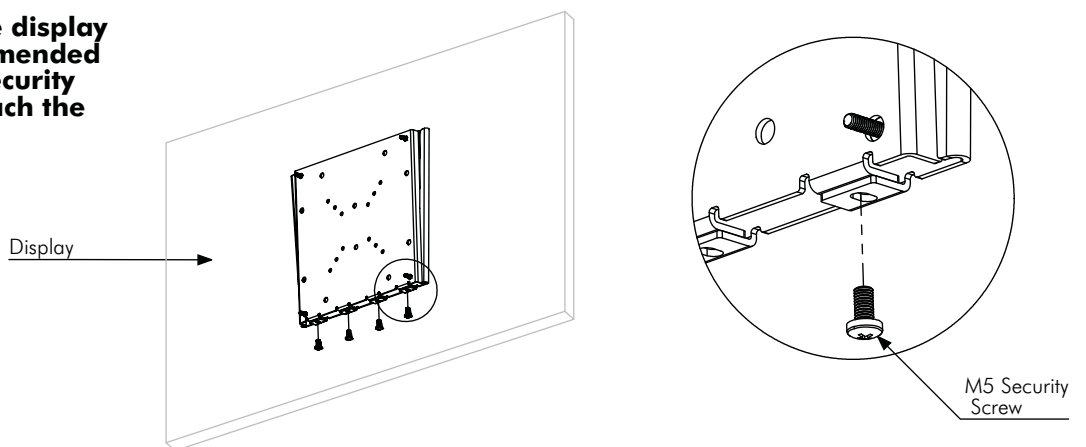
Step 4. Attaching Display to Wall Plate

With the Display Plate attached to the Display, lift the Display, slide into the Wall plate. Ensuring that the side flanges engage into wall plate slots.



Step 5. Security Option

To properly secure the display to the wall it is recommended to use the four M5 security screws to securely attach the two plates together.



Installation Complete