

# Installation Instructions

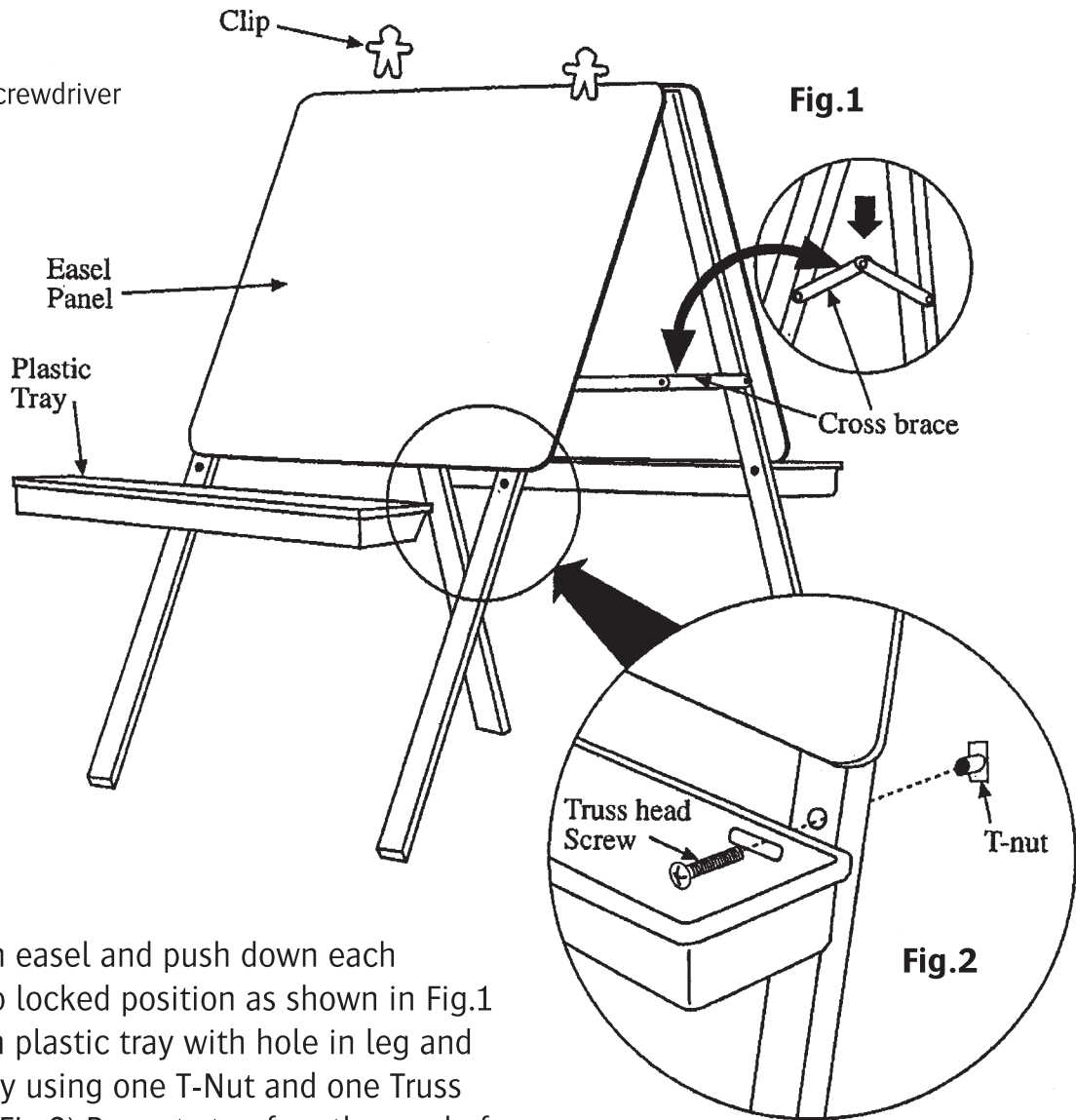
Product #: XEH004, XEH006, XEH007, XEH013, XEH023

**Parts Included:**

- (4) T-Nuts
- (4) Phillips Truss Head Screws
- (2) Plastic Trays
- (4) Clips

**Tools Needed:**

Phillips Head Screwdriver



**Step 1:** Open easel and push down each cross-brace to locked position as shown in Fig.1

**Step 2:** Align plastic tray with hole in leg and attach the tray using one T-Nut and one Truss Head Screw. (Fig.2) Repeat step for other end of tray. Attach other tray in the same manner. (Note: Extra holes are provided in the legs for raising and lowering easel panel and tray.)

**Step 3:** Attach clips to top of easel panel as shown.