

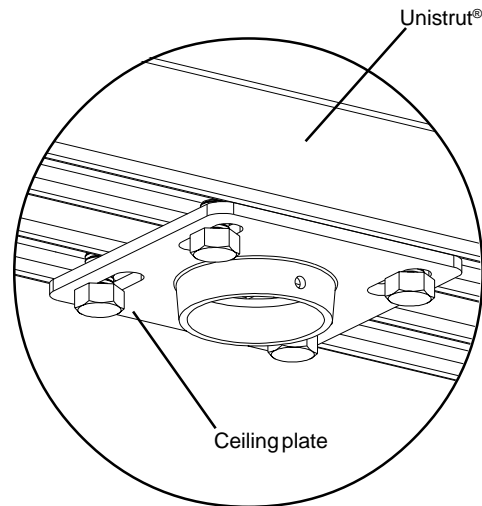
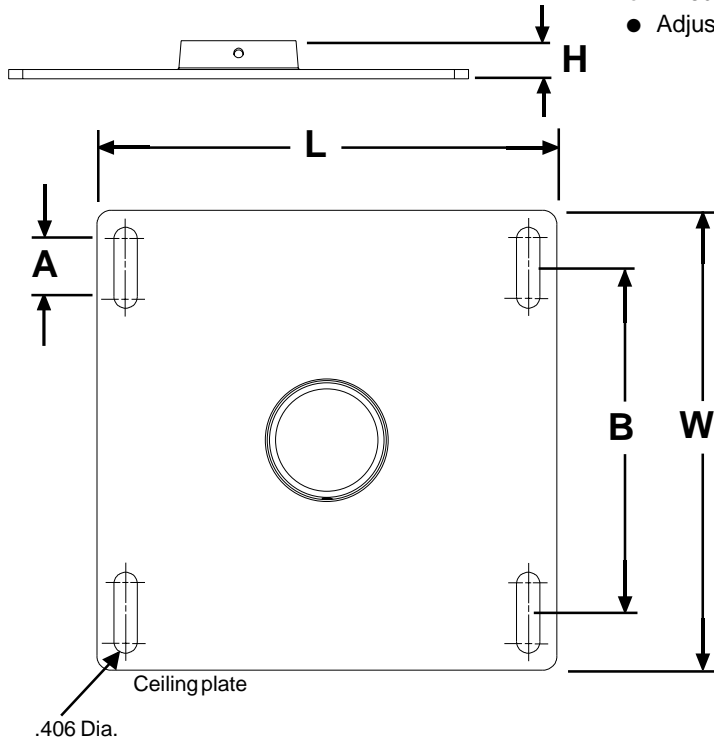
Peerless Unistrut® and Structural Ceiling Plates attach to standard 1 5/8" x 1 5/8" unistrut or to a solid structural surface.

Features:

- Eight gauge cold rolled steel construction.
- Two sizes, 4 x 4 and 8 x 8.
- For structural ceiling applications, the installer must provide appropriate anchors.
- Use in conjunction with Unistrut® fittings, not included, for attachment to Unistrut®.
- Accepts Peerless EXT or ADJ 1.5" -11.5 NPT extension columns.

Accessories:

- Fixed length extension columns, **EXT 006 - EXT 110.**
- Adjustable length extension columns, **AEC 006009 - AEC 1012**



All dimensions: inches (millimeters)

| MODEL | L | W | H | A | B | Weight | Shipping Weight | Max. Load |
|----------------|----------------------|----------------------|-----------------------|-----------------------|------------------------|--------------------------------|--------------------------------|---------------------------------|
| CMJ 300 | 4" (101.6) | 4" (101.6) | .66" (16.8) | .75" (19.1) | 2.25" (57.2) | .64 lbs. (.29 kg.) | 1.25 lbs. (.57 kg.) | 250 lbs. (113.64 kg.) |
| CMJ 310 | 8" (203.2) | 8" (203.2) | .66" (16.8) | 1" (25.4) | 6" (152.4) | 2.92 lbs. (1.33 kg.) | 3.25 lbs. (1.48 kg.) | 250 lbs. (113.64 kg.) |

ARCHITECTS SPECIFICATIONS

The Ceiling plate shall be a Peerless model CMJ 300 or CMJ 310 and shall be located where indicated on the plans. It shall be constructed of eight gauge cold rolled steel. The finish shall be scratch resistant Black Fused Epoxy. Assembly and installation shall be done according to instructions provided by the manufacturer.



Peerless-AV 2300 White Oak Circle Aurora, IL 60502
800-865-2112 Fax 800-359-6500 www.peerless-av.com

©2017 Peerless Industries, Inc.

TECHNICAL DATA SHEET

Peerless Unistrut® and Structural Ceiling Plates