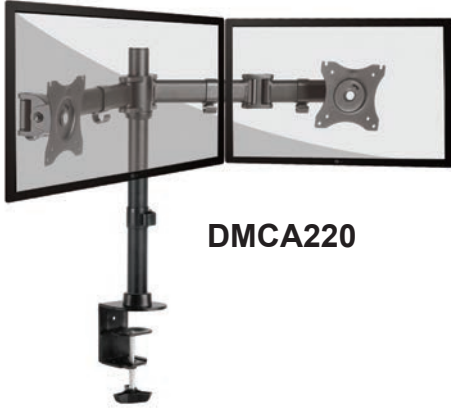


Diamond Ergonomics presents the Elite Series Articulating Desk Mounts.

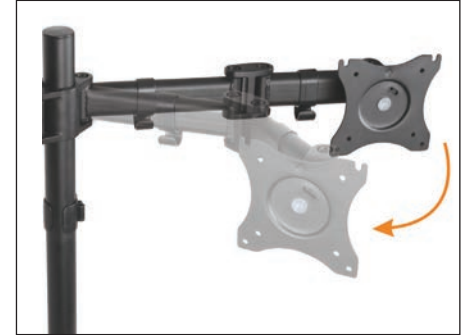
These steel LCD VESA Desk Mounts are designed for 13"-27" inch monitors. The weight capability is 8kg. or 17.6lbs. Their full motion structure allows for maximum flexibility. They can extend, tilt and swivel your monitor up to 90° degrees left and right for easy viewing. You can also adjust the monitor vertically to a desired position. Its ball-joint structure allows smooth, effortless rotating and positioning for any direction, making it easy to reduce glare and find the perfect viewing angle. Other features include, cable clips for organizing cables.



DMCA220



DMTA220



Swivel monitors right and left for maximum viewing flexibility



DMTA310



Added slots for holding tools in case of possible future maintenance



Create a clean sleek look by concealing cables from sight

Mounting options available



Freestanding



Clamp

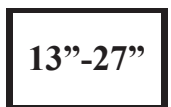


Grommet

Level Adjustable



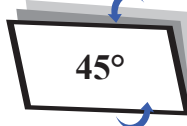
Screen Size



Rated Load



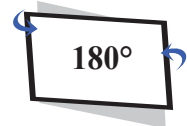
Tilt



Rotate



Swivel



VESA

