

LIEBERT® GXT4™ UPS, 500VA -3000VA

Intelligent, Reliable UPS Protection



BENEFITS

The Liebert® GXT4™ UPS package includes everything you need for a fast and easy installation:

- UPS
- Tower stands
- Rackmount rails
- Hardware
- CD with software and manuals
- Convenient lifting straps
- Cables and ties

Liebert GXT4 is a true on-line UPS that delivers continuous, high-quality AC power to connected equipment with no interruption when transferring to battery. It provides protection from blackouts, brownouts, sags, surges or noise interference.

For robust UPS protection up to 3kVA, the Liebert GXT4 UPS provides industry leading features in a compact design:

- On-line design means zero transfer time. When utility power fails, your critical load remains supported by a seamless flow of power.
- Highest level of protection available in this capacity range.
- Selectable Eco-Mode allows improved energy efficiency.
- Easy serviceability with replaceable, hot-swappable batteries.
- Controllable power to multiple devices via two independently programmable pairs of outlets.
- ENERGY STAR® qualified models available.

- Intelligent-ready networking.
- Optional Unity card offers compatibility with environmental sensors (temperature, humidity, door open status and more).

Ideally suited for:

- Mission critical applications and systems
- Network workstations
- Servers
- IDF/Network closets
- Large network peripherals
- VoIP
- Workstations



ENERGY STAR® qualified UPS models

The Proven Reliability Of True On-Line Operation With The Features You Need Most

The Liebert® GXT4™ UPS requires just a slim 2U of rack space, but provides the capabilities often found only in larger systems. Get up to 3kVA of capacity and battery backup. External battery cabinets may be added for extended run time.

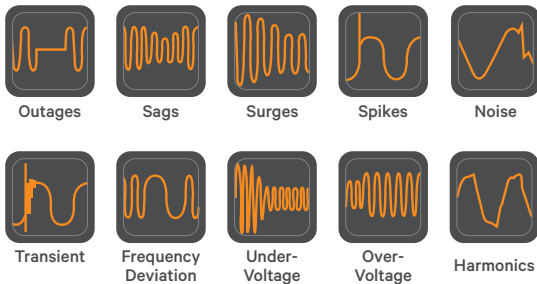
Liebert GXT4 UPS is a true on-line power source, which means power is always being conditioned and supplied to the connected device(s), whatever the quality of power coming in, a pure sinewave output results to ensure equipment is protected.

Liebert GXT4 UPS includes:

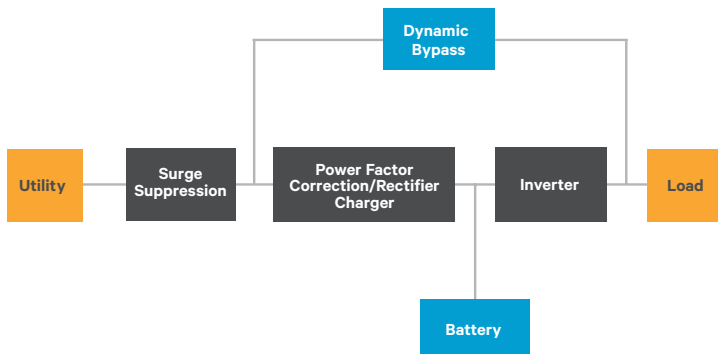
- Power factor correction
- Internal batteries
- Frequency conversion
- Internal automatic bypass to protect against adverse conditions
- Manual bypass capability
- Support for up to six external battery cabinets



Full Protection from Damaging Power Problems.



On-Line, Double Conversion UPS Protection for Critical Applications



Liebert GXT4 UPS Flexible, Reliable And Low Total Cost Features

Flexibility:

Two controllable outlet groups can be programmed for load shedding and sequential restart if the ups is in overload or when selected backup time remains.

Rotatable display panel

The color LCD display panel rotates 90° to make the readout easy to see in rack or tower installations.

Automatic frequency sensing

The UPS automatically adjusts to the input frequency, 50hz or 60hz, and can also be programmed to convert from one to the other.

Mounting flexibility

Rack rails and tower supports included.

Intelligent communications

DCIM and BMS ready.

Power Assurance Package Provides Comprehensive On-Site Services

- **Five-year protection plan** with 100% parts coverage and 7x24 emergency service.
- **On-Site installation and start-up** to provide pain-free multi-site rollout management and free you from hazardous material disposal in your existing UPS, when applicable.
- **On-site service support** to free up time-strapped IT resources.
- **Preventative Maintenance** to reduce the worry of downtime and ensure rapid recovery.

High Availability:

Advance Early Warning of UPS System Status Multiple audible and visual alarms immediately alert you to critical issues.

3-17 minutes of Battery Backup Time at Full load Provides ample time for an orderly shutdown. Optional matching external battery cabinets offer additional backup time.

Overload Capability Designed to handle output overload conditions.

Periodic Battery Testing Provides automatic and manual self-diagnostic battery testing for peace of mind to indicate if the battery is healthy.

Replaceable Hot Swappable Batteries Easy to replace batteries to protect your investment by extending the product life.

Power-Factor Correction Prevents noise, harmonics and distortion from being passed on to connected loads or from being fed back to the utility.

Internal Automatic and Manual Bypass Capability Assures continuity of power to critical loads at all times. Convenient for times of battery maintenance.

Intelligent Battery Management Includes efficient three-stage charging technique and comprehensive discharging protection that extends battery life.

Input Circuit Breaker Provides increased protection to ease recovery from overloads.

Lightning and Surge Protection The transient voltage surge suppression (TVSS) circuitry inside Liebert® GXT4™ UPS provides additional protection for the connected equipment.

Low Total Cost Of Ownership:

High Output Power Factor Liebert GXT4 UPS rated output power factor up to 0.9 better matches switch-mode power supplies used in today's IT equipment, providing more efficient utilization of the UPS.

Selectable ECO-Mode Connected equipment can be powered through the bypass while the inverter remains idle, reducing electricity consumption.

Wide Input Voltage Window Prolongs battery life by allowing the UPS to maximize the use of utility power before transferring to battery when input voltage exceeds specified limits.

Intelligent Fan Operation Automatically changes rotation speed depending on system requirements to decrease power consumption and noise.

Warranty Protection The industry's best warranty – No-hassle two-year warranty with advanced UPS replacement in the event of problems. Shipping is free for both original UPS return and the replacement unit. Optional one-year and three-year extensions also available.

Multiple Choices For Communication, Shutdown And Reporting:

The optional Unity communications card has been enhanced with direct sensor support.

- Up to 10 Liebert sensors can be wired in series and can report a discrete SNMP trap when their status changes.

- Any SNMP monitoring and notification software, such as Liebert Nform can be used to monitor a change in state of these sensors.
- Monitor temperature, humidity, door open status, leak detection and more.

The Liebert GXT4 UPS is also fully compatible with:

- Liebert MultiLink™ shutdown software –included with the Liebert GXT4 UPS
- Liebert Nform™ monitoring software
- Liebert Multiport multiplexing unit
- Liebert Intellislot Relay Interface Card
- Liebert SiteScan
- Trellis™ Platform
- USB Communications

Optional Liebert MicroPOD™ Output Distribution And Maintenance Bypass Module

When your computer system can't be without power, even for scheduled UPS maintenance, the Liebert MicroPOD Maintenance Bypass and Output Distribution Unit ensures continuous uptime. It allows you to manually transfer connected equipment to utility power via a maintenance bypass switch, permitting scheduled service or UPS replacement without the need to shut down connected equipment. Features include:

- 2U height minimizes rack space requirements
- Installs with plug-and-play ease
- Two-year, no-hassle replacement warranty



Liebert MicroPOD

Specifications

PARAMETERS	GXT4-500RT120 (500VA/450W)	GXT4-700RT120 (700VA/630W)	GXT4-1000RT120 (1000VA/900W)	GXT4-1500RT120 (1500VA/1350W)	GXT4-2000RT120 (2000VA/1800W)	GXT4-3000RT120 (3000VA/2700W)	GXT4-3000RT208 (3000VA/2700W)
Dimensions, D × W × H, in. (mm)	16.2 x 16.9 x 3.4 (408 x 430 x 85)			19.7 x 16.9 x 3.4 (497 x 430 x 85)		23.7 x 16.9 x 3.4 (602 x 430 x 85)	
Weight, lb (kg)	40 (18.2)			54.6 (24.8)	56.1 (25.5)	71.4 (32.4)	
Input AC							
Voltage Range (typical)	120VAC nominal; variable based on output load			120VAC nominal; variable based on output load		115-280VAC	
Frequency	40Hz ~ 70Hz; Auto Sensing			40 - 70Hz; Auto Sensing			
Input Power Cord	10 ft. attached w/ NEMA 5-15P plug			10 ft. attached w/ NEMA 5-15P plug	10 ft. attached w/ NEMA 5-20P plug	10 ft. attached w/ NEMA L5-30P plug	10 ft. attached w/ NEMA L6-20P plug
Output AC							
NEMA Output Receptacles	5-15R × 6			5-15R × 6	5-15/20R x 6	L5-30R×1 +5-20R×6	L6-20R×1+L6-15R×2
Voltage	110/115/120VAC (user-configurable); ±3%			110/115/120VAC (user-configurable); ±3%			208/220/230/240 VAC (user- configurable); ±3%
Waveform	Sine wave			Sine wave			
Battery							
Type	Valve-regulated, nonspillable, lead acid			Valve-regulated, nonspillable, lead acid			
Qty × V × Rating	4 × 12V × 5.0Ah			4×12V×9.0Ah	6×12V×9.0Ah		
Battery Part #	GXT4-5A48BATKIT			GXT4-9A48BATKIT	GXT4-9A72BATKIT		
Agency							
Safety	UL 1778, cUL Listed			UL 1778, c-UL Listed			
RFI/EMI	FCC Class A			FCC Class A			
Surge Immunity	IEC 62040-2 2nd Ed			IEC 62040-2 2nd Ed			
Transportation	ISTA Procedure 1A			ISTA Procedure 1A			
ENERGY STAR® qualified	No	Yes	Yes	Yes	Yes	Yes	Yes