

STL670

SMARTMOUNT LT

Tilting Wall Mount

For 39" to 75" Displays

The SmartMountLT™ series tilting wall mounts are easy to install and offer display angle versatility. Designed for medium to larger displays, the Hook-and-Hang™ system means even one person can easily install even larger displays. The Easy-Glide™ adaptors easily hook into the wall plate for quick, simple and secure installation. The low-profile design holds the display just 2.66" (67mm) from the wall. After installation, use the side-to-side adjustment to perfectly position the display. The +15°/-5° of tool-less tilt ensures you'll always have the perfect viewing angle. With the IncreLok™ tilt technology, you can lock the tilt angle at installation, and prevent tampering or moving. Plus, the open wall plate allows total wall access, which increases electrical and cable management options.



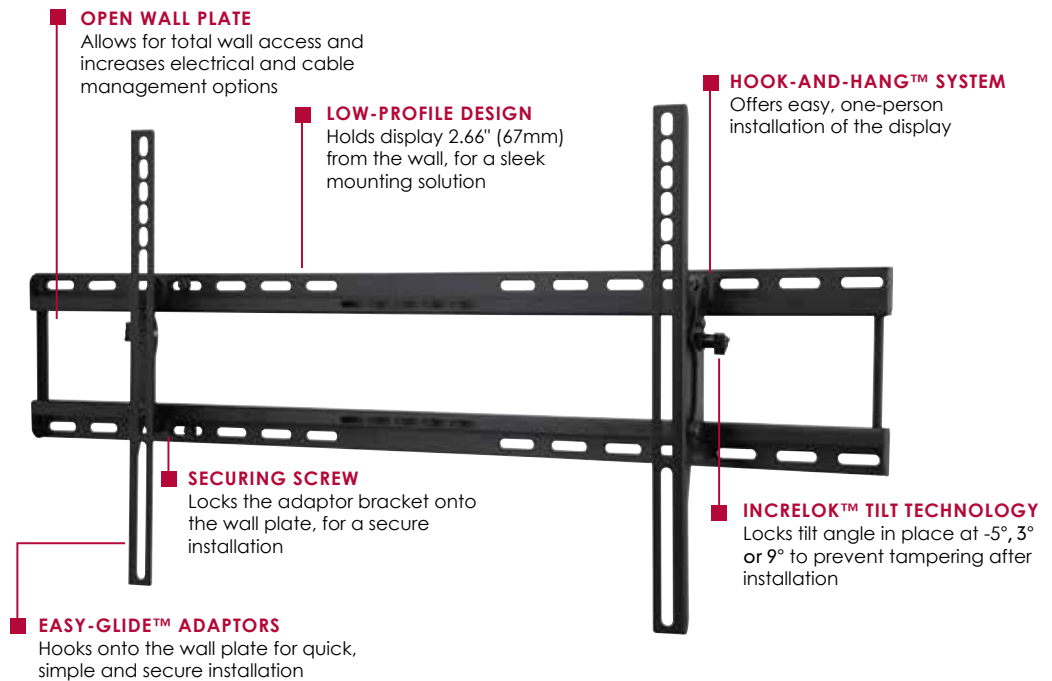
Display size: 39"-75"



Max load: 105lb (48kg)

FEATURES

- Fits 39" to 75" displays, up to 105lb (48kg)
- The low-profile design holds the display just 2.66" (67mm) from the wall creating an ultra-low-profile finish perfect for today's ultra-slim displays
- Quick and easy, Hook-and-Hang™ one-person installation
- Side-to-side adjustment allows for perfect display positioning
- +15°/-5° of tool-less tilt allows you to adjust for the perfect viewing angle
- Mounts to wood studs, concrete, cinder block or metal studs (metal stud accessory required)
- Installation hardware included
- UL Listed
- Five-year warranty



+15°/-5° of tool-less tilt



Low profile design — sits just 2.66" (67mm) from the wall



Patented. Utility Patent No. 8,157,233 8,282,059 8,313,073.

CLICK: peerless-av.com

CALL: 800.865.2112

FAX: 800.359.6500



STL670	SmartMountLT™ Tilting Wall Mount for 39" to 75" Displays
---------------	--

Product Specifications

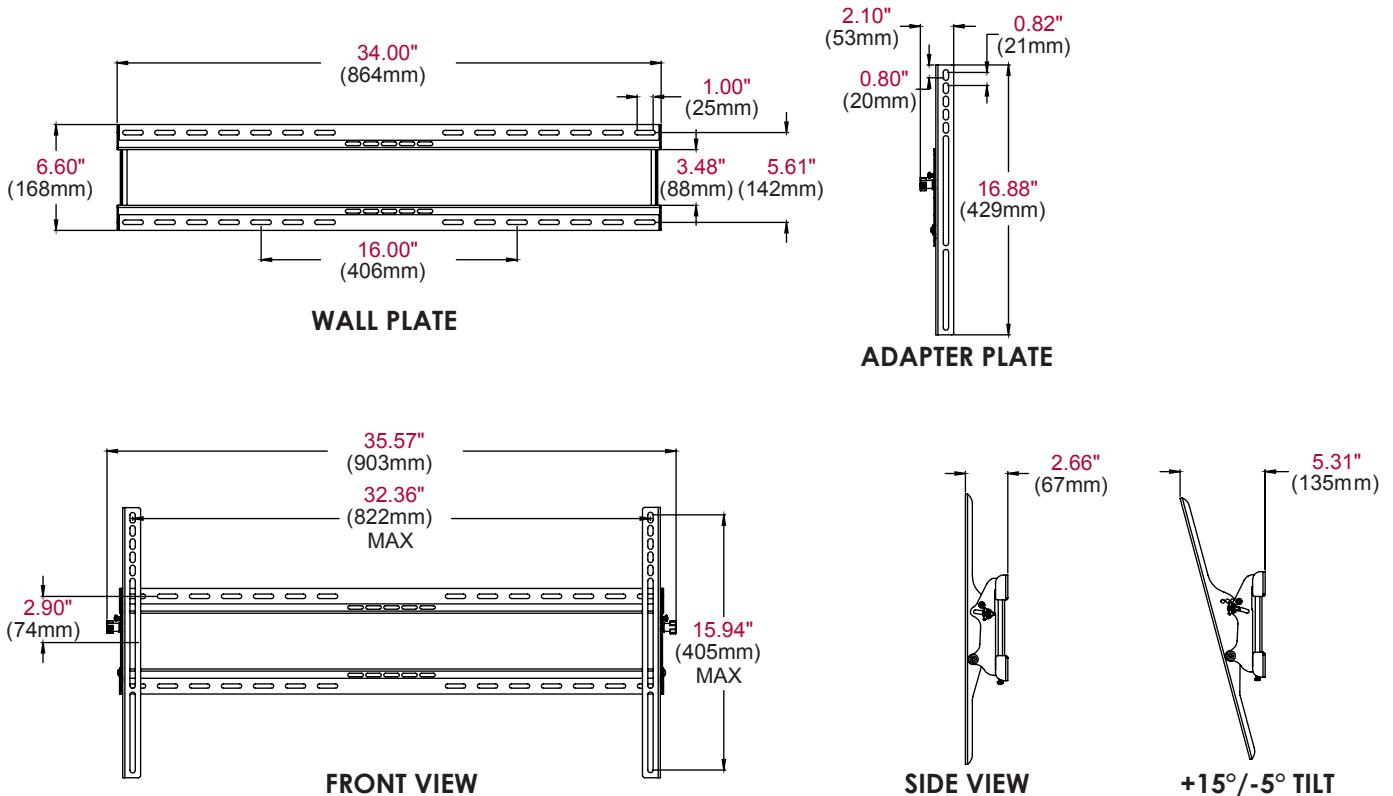
	DIMENSIONS (W x H x D)	PRODUCT WEIGHT	LOAD CAPACITY	FINISH	AVAILABLE COLORS
STL670	35.57" x 16.88" x 2.66"-5.31" (903 x 429 x 67-135mm)	5.25lb (2.38kg)	105lb (48kg)	Matte	Black

Package Specifications

	PACKAGE SIZE (W x H x D)	PACKAGE SHIP WEIGHT	PACKAGE UPC CODE	PACKAGE CONTENTS	UNITS IN PACKAGE
STL670	34.75" x 7.25" x 2.50" (883 x 184 x 64mm)	6.50lb (2.95kg)	735029292715	Wall mount, attachment hardware and installation instructions	1

Accessories

ESHV10:	Single AV Wall Shelf	ACC415:	Metal Stud Fastener Kit
ESHV20:	Single AV Wall Shelf with Glass	ACC925:	Security Fasteners for Wall Arms
ESHV30:	Dual AV Wall Shelf with Glass		



ARCHITECTS SPECIFICATIONS

The Tilting Wall Mount shall be a Peerless-AV model STL670 and shall be located where indicated on the plans. Assembly and installation shall be done according to instructions provided by the manufacturer.