

SPL737

SMARTMOUNT LT

Pivoting Wall Mount

For 22" to 40" Displays

The SmartMountLT™ series pivoting wall mounts feature versatile display positioning and one-person, Hook-and-Hang™ easy installation. The pivoting arm allows you to extend the display up to 7.13" (181) from the wall, and can retract to just 2.48" (63mm) from the wall. The integrated cable management provides a clean, professional finish. One-Touch™ tilt of $\pm 15^\circ$, $\pm 5^\circ$ roll for post-installation leveling, and $\pm 90^\circ$ pivoting means the display will be perfectly positioned for the optimum viewing angle.



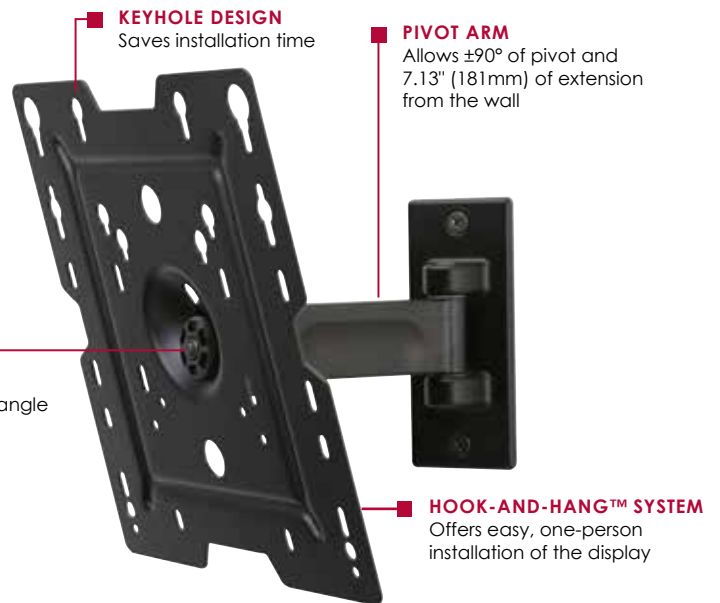
Display size: 22"-40"



Max load: 55lb (25kg)

FEATURES

- Fits 22" to 40" displays, up to 55lb (25kg)
- Extends display 7.13" (181mm) from the wall
- Retracts to hold display just 2.48" (63mm) from the wall
- $\pm 90^\circ$ of pivot allows for perfect display positioning
- Quick and easy, Hook-and-Hang™ one-person installation
- Integrated cable management provides clean, professional installation finish
- Easy leveling $\pm 5^\circ$ after display installation
- Landscape or portrait mounting options increases display versatility
- Mounts to wood studs, concrete, cinder block or metal studs (metal stud accessory required)
- VESA® 75, 100, 100 x 200, 200 x 100, and 200 x 200mm compliant
- Installation hardware included
- UL Listed
- Five-year warranty



$\pm 15^\circ$ of viewing angle adjustment



Arm retracts to just 2.48" (63mm) and extends up to 7.13" (181mm) from the wall



Patent Pending.

CLICK: peerless-av.com

CALL: 800.865.2112

FAX: 800.359.6500

peerless-AV

| | |
|---------------|---|
| SPL737 | SmartMountLT™ Pivoting Wall Mount for 22" to 40" Displays |
|---------------|---|

Product Specifications

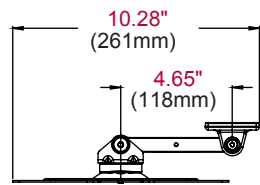
| | DIMENSIONS (W x H x D) | PRODUCT WEIGHT | LOAD CAPACITY | FINISH | AVAILABLE COLORS |
|---------------|--|-----------------|---------------|--------|------------------|
| SPL737 | 10.28" x 9.70" x 2.48"-7.13" (261 x 246 x 63-181mm) | 2.74lb (1.24kg) | 55lb (25kg) | Matte | Black |

Package Specifications

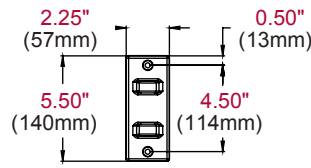
| | PACKAGE SIZE (W x H x D) | PACKAGE SHIP WEIGHT | PACKAGE UPC CODE | PACKAGE CONTENTS | UNITS IN PACKAGE |
|---------------|---|---------------------|------------------|---|------------------|
| SPL737 | 10.25" x 11.30" x 2.40" (260 x 287 x 61mm) | 3.75lb (1.70kg) | 735029292654 | Wall mount, attachment hardware and installation instructions | 1 |

Accessories

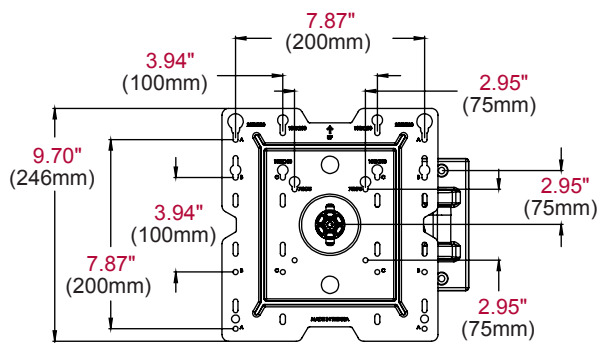
| | | | |
|----------------|----------------------------------|--------------------|-----------------------|
| ACC973: | VESA® 400 x 400mm Adaptor Plates | ACC975: | Security Fasteners |
| ESHV10: | Single AV Wall Shelf | WSP700/701: | Metal Stud Wall Plate |
| ESHV20: | Single AV Wall Shelf with Glass | | |
| ESHV30: | Dual AV Wall Shelf with Glass | | |



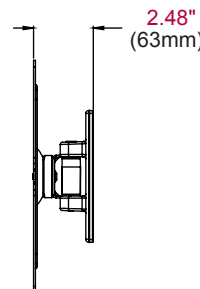
TOP VIEW



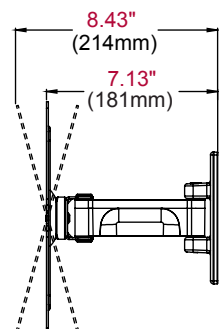
WALL PLATE



FRONT VIEW



SIDE VIEW



SIDE VIEW EXTENDED +/-15° TILT

ARCHITECTS SPECIFICATIONS

The Pivot Wall Mount shall be a Peerless-AV model SPL737 and shall be located where indicated on the plans. Assembly and installation shall be done according to instructions provided by the manufacturer.