

Full motion | Small monitor/TV articulated arm TH-1040-VFL

Ultra slim mount for ultra slim small to medium LED, LCD and plasma televisions

An ultra-slim and cost-effective solution for wall mounting small TVs that weigh up to 27kg (60lbs). Providing a stream-lined finish that supports your screen just 46mm (1.8") from the wall, the articulated arm has three pivot points that enable superior control over screen position to perfect image quality and enjoyment. This arm comes pre-assembled, for quick and easy installation, assisted by a quick attachment mechanism and integrated cable management. It supports a variety of VESA mounting hole configurations and comes with a 10 year warranty.

* Supports up to 400mm x 400mm via additional adaptor plate AP-AC-4040 (sold separately)



Mounting hole pattern:
100mm x 100mm
200mm x 100mm
200mm x 200mm
Also supports up to 400mm x 400mm*



Maximum weight carrying capacity:
27kg (60lbs)



Product key features:

- Super slim design, allows display to sit only 46mm (1.8") from wall (when folded)
- Allows full range of movement via 3 pivot points
- Adjustable tilt: 10° of downward tilt
- Adjustable pan (at the mounting head): 90° left and 90° right from the vertical plane**
- Horizontal adjustment range: 5° left and 5° right
- Maximum arm reach: 490mm (19.3")
- Minimum distance from wall: 46mm (1.8")
- Comes pre-assembled for quick and easy installation

** The degree of pan depends on the size of the monitor/TV.
Maximum allowed display width at full 90° pan is 900mm (35.5")



Product information

Product Code	Load capacity	Material	Colour
TH-1040-VFL	One display up to 27kg (60lbs)	Powder coated steel	Black

Package information, single unit

Size (L x W x H)	Ship weight	UPC code	Contents
37.9cm x 31.1cm x 5.1cm (14.9" x 12.2" x 2")	4.5Kg (9.9lbs)	881493007666	All hardware required for installation supplied

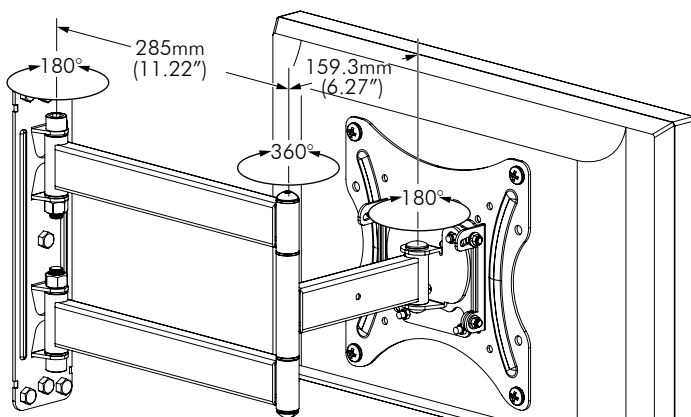
Package information, master pack

Size (L x W x H)	Ship weight	UPC code	Units per master pack
39.5cm x 31.9cm x 27cm (15.6" x 12.6" x 10.6")	23.3Kg (51.26lbs)	881493007673	5

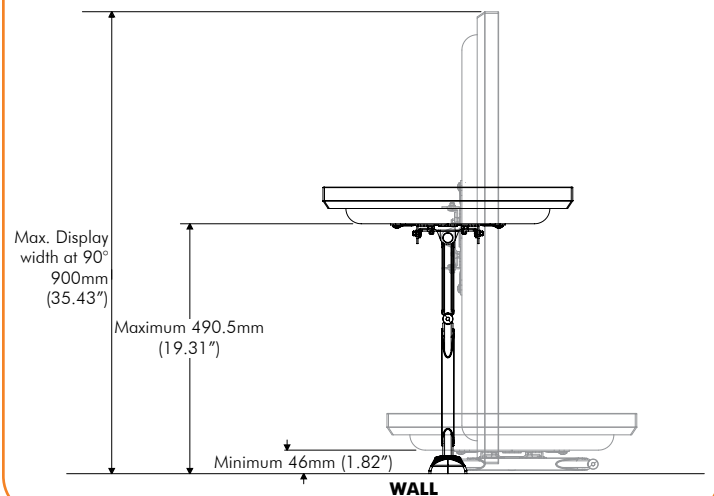
Technical drawings

Arm movement

(shown with cable and wall mount covers removed)

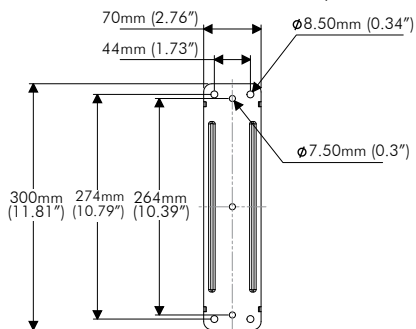


Distance from wall shown in top view

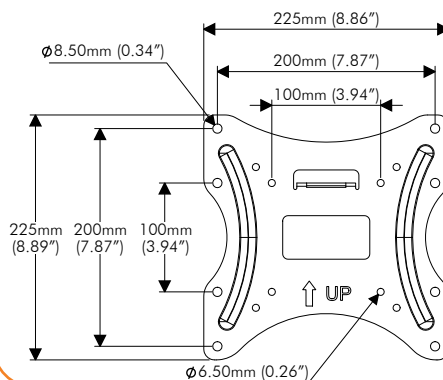


Wall mount

The Wall Bracket can be mounted to either:
Timber Stud Wall or Masonry Wall



Screen mounting compatibility



Range of horizontal movement

