

## Flat screen wall mount | fixed **TH-2250-VF** Fits most displays from 20" to 47"



Mounting hole pattern:  
50mm x 50mm  
75mm x 75mm  
100mm x 100mm  
120mm x 180mm  
200mm x 100mm  
200mm x 200mm



Maximum weight carrying capacity:  
50kg (110lbs)

The TH-2250-VF is the ultimate streamlined wall mount for screens weighing up to 50kg (110lbs). This sleek design holds the display just over half an inch from the wall, creating a seamless display that melts effortlessly into the decor, as if it were part of the wall itself. The TH-2250-VF has the added bonus of four security screws for theft resistance. It's easy to install and can support three different VESA mounting hole patterns, which gives you a much greater choice of display compatibility.



### Product key features:

- Two-piece design for simple and easy installation
- Ultra-slim profile, only 16.5mm (0.65") from wall
- Can be mounted to dry wall without fixing to a stud
- Comes with all mounting hardware for masonry, timber stud and dry wall installation



2 piece design for fast & simple installation



Ultra slim profile



Security screws to enhance theft resistance

Can be mounted to dry wall

Choice of 6 mounting hole configurations



## Product information, single unit

Load capacity	Material	Color
50kg (110lbs)	Steel	Black

## Package information, single unit

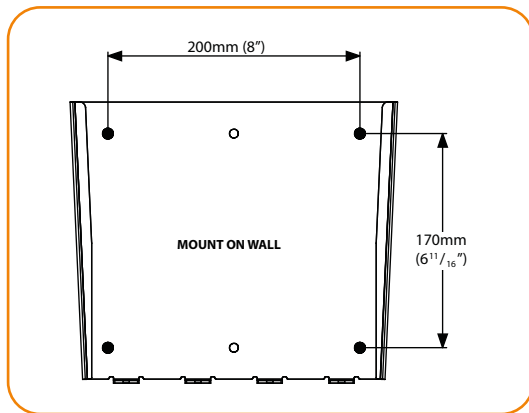
Size	Ship weight	UPC code	Contents
31.5cm x 24cm x 2cm (12.4" x 9.4" x 0.8")	2.1 (4.62lbs)	881493004764	All hardware required for installation supplied

## Package information, master pack

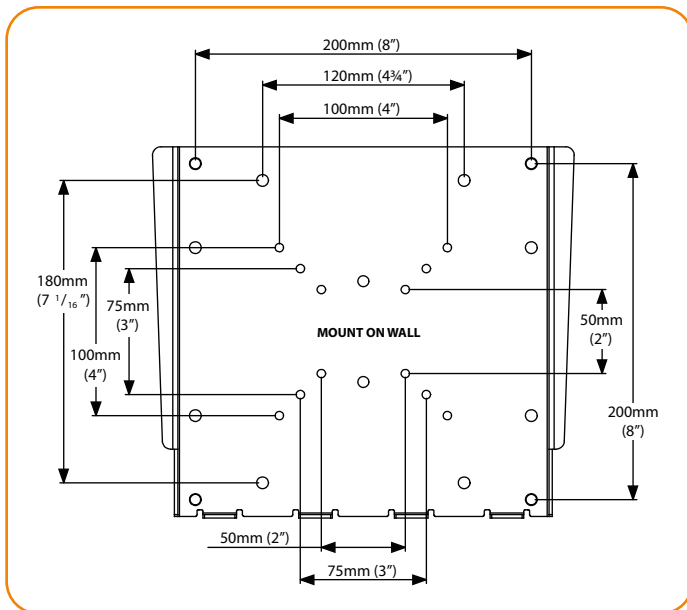
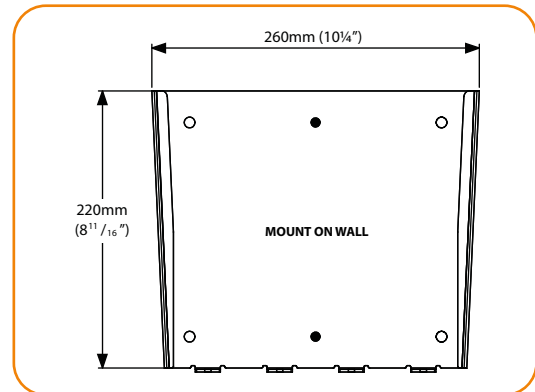
Size	Ship weight	UPC	Units per master pack
33cm x 24cm x 28cm (13" x 11" x 9.4")	22.7 (49.94lbs)	881493004832	10

## Technical drawings

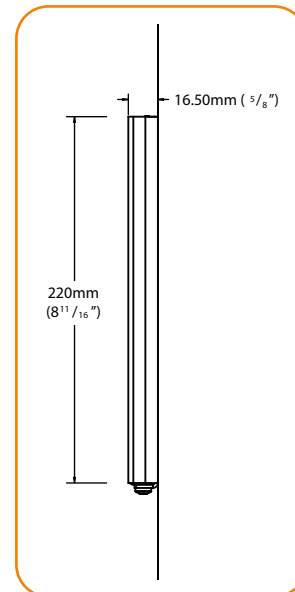
Mounting hole pattern for:  
Dry Wall and Masonry Wall



Mounting hole pattern for:  
Timber Stud



Display Plate



Distance from Wall (Side View)