


Full Motion | Medium articulated arm TH-2050-VFM

The TH-2050-VFM is a cutting-edge full motion mount with incredible versatility. User friendly features are at the heart of the design, with Smooth Glide™ technology to effortlessly move any display up to 35kg (77lbs). The strong articulated arms allow the screen to be pulled out from the wall and turned for any viewing position. The VESA mounting hole plate ensures this die cast aluminium mount is compatible with a vast range of displays. It comes pre-assembled, with a design that guarantees quick and easy installation. The quick attachment/quick release mechanism allows you to install and detach your display in seconds.

 **Mounting hole pattern:**
from 100mm to 400mm wide
from 100mm to 400mm high

 **Maximum weight carrying capacity:**
35kg (77lbs)



Product key features:

- Provides full range of movement via 3 pivot points
- Smooth Glide™ technology for effortless movement
- Detachable mounting head for easy installation and maintenance
- Advanced cable management
- All mounting hardware for masonry and timber stud installation included



Adjustable pan (at mounting head):
90° left and 90° right



Display can be installed in
Landscape or Portrait orientation

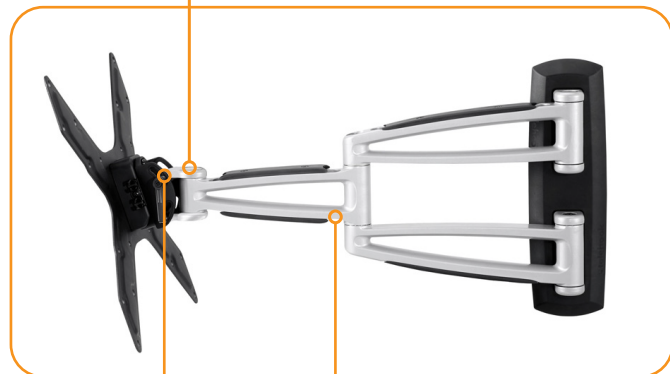


Detachable mounting
head with security screw
to deter unauthorised
removal

Minimum display distance from wall:
100mm (3.94")



Horizontal adjustment at the mounting head
5° on each side



Adjustable tilt:
20° down and 5° up

Maximum arm reach:
540mm (21.26")

Product information

Product Code	Load capacity	Material	Colour
TH-2050-VFM	35kg (77lbs)	Die Cast Aluminium/Steel	Matt silver with black trim

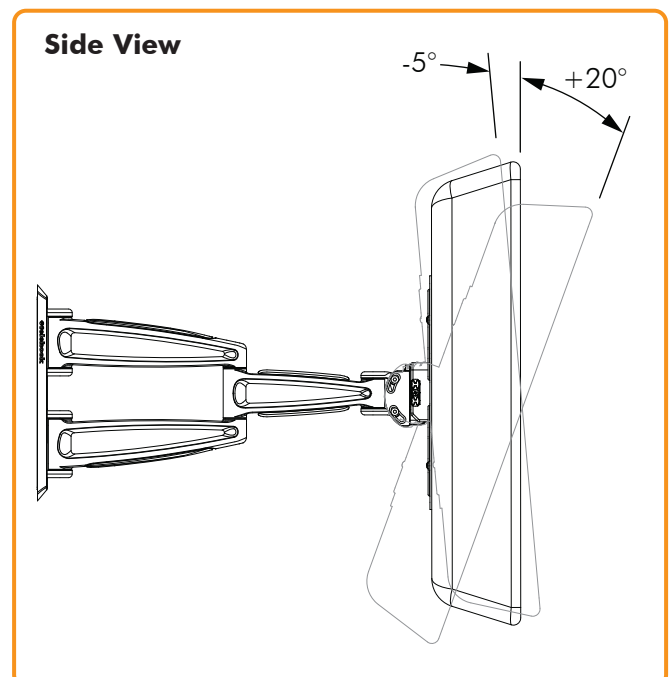
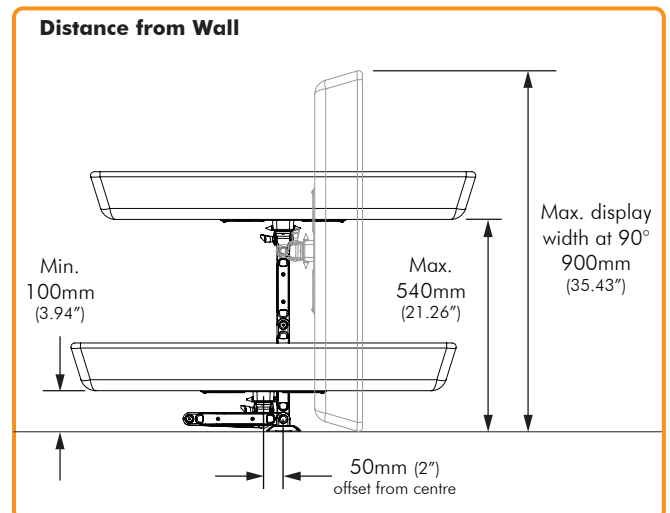
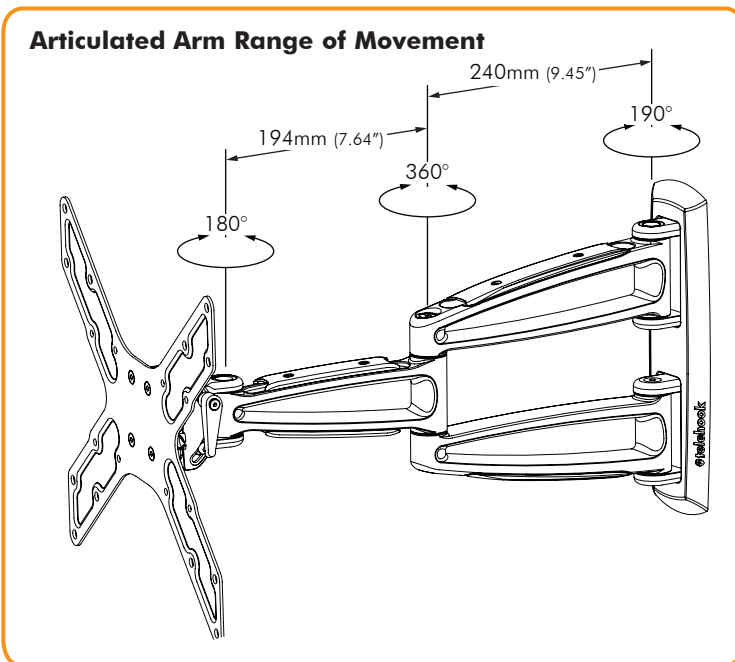
Package information, single unit

Size	Ship weight	UPC code	Contents
36cm x 35cm x 13cm (14.25" x 14" x 5")	5.48kg (12.2lbs)	881493004733	All hardware required for installation supplied

Package information, master pack

Size	Ship weight	UPC code	Units per master pack
38cm x 38cm x 54cm (15" x 15" x 21.25")	22.76kg (50.6lbs)	881493004689	4

Technical drawings



Atdec mounts are designed, developed and tested in Australia. While all efforts have been made to ensure the information in this brochure was correct as of the date of printing, we reserve the right to change specifications without notice. Please refer to the website for our full range along with the latest details on specifications, compatibility and dealer location. Atdec and Telehook are registered trademarks with all rights reserved. Copyright May 2013.