

SF650(P)
SF650-AB/AW



Display size
37"-75"



Max load
175lb (79kg)

Additional Features

- ✓ Universal mount fits displays with mounting patterns up to 742 x 405mm (29.23" W x 15.95" H)
- ✓ Open wall plate design allows for total wall access, increasing electrical and cable management options
- ✓ Low-profile design holds display only 1.25" (32mm) from the wall for a low-profile application
- ✓ Horizontal display adjustment of up to 8" (203mm) (depending on display model) for perfect display placement
- ✓ Universal display adaptors easily hook onto wall plate for fast installation
- ✓ Mounts to wood studs, concrete, cinder block or metal studs (metal stud accessory required)
- ✓ Comes with fastener pack with all necessary display attachment hardware
- ✓ Integrated security options available
- ✓ Agion® antimicrobial* finish assists in controlling the spread of infections with SF650-AB/AW models
- ✓ Landscape to portrait mounting options increases installation versatility. Please check your display dimensions against the wall plate when used in portrait mode**.

*Antimicrobial protection is limited to the treated article and does not protect a user against disease causing bacteria. Always clean products thoroughly after each use. Visit agion-tech.com for more details.

**Requires display to be removed and reset on mount



SF650-AB/AW:



Patented. Utility Patent No. 7,823,850; 8,517,322.

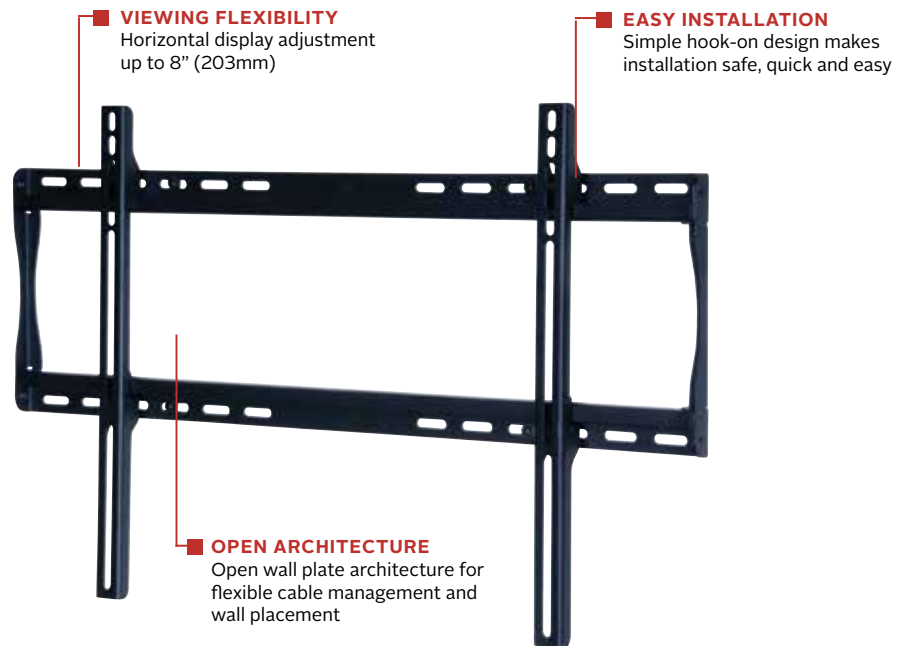
SMARTMOUNT.

Universal Flat Wall Mount

FOR 37" TO 75" DISPLAYS

The SF650 series delivers limitless placement opportunities with speed and ease. SF650's ultra-slim open wall plate architecture delivers display placement flexibility and enables easy electrical access and cable management. This ultra-slim mount is the ultimate solution for low-profile applications.

The SF650's low-profile design holds displays just 1.25" from the wall, perfect for almost any low-profile application.



Low-profile design holds display only 1.25" (32mm) from the wall

Model Numbers

WARRANTY: Limited 5-year

SF650P	SmartMount® Universal Flat Wall Mount for 37" to 75" Displays - standard models
SF650(-AB/AW)	SmartMount® Universal Flat Wall Mount for 37" to 75" Displays - security models

Product Specifications

	DIMENSIONS (W x H x D)	PRODUCT WEIGHT	LOAD CAPACITY	FINISH	AVAILABLE COLORS
SF650(-AB/AW)(P)	30.87" x 16.89" x 1.25" (784 x 429 x 32mm)	5.47lb (2.51kg)	175lb (79kg)	Matte	SF650(P): Black SF650-AB: Antimicrobial* black SF650-AW: Antimicrobial* white

*Antimicrobial protection is limited to the treated article and does not protect a user against disease causing bacteria. Always clean products thoroughly after each use. Visit agion-tech.com for more details.

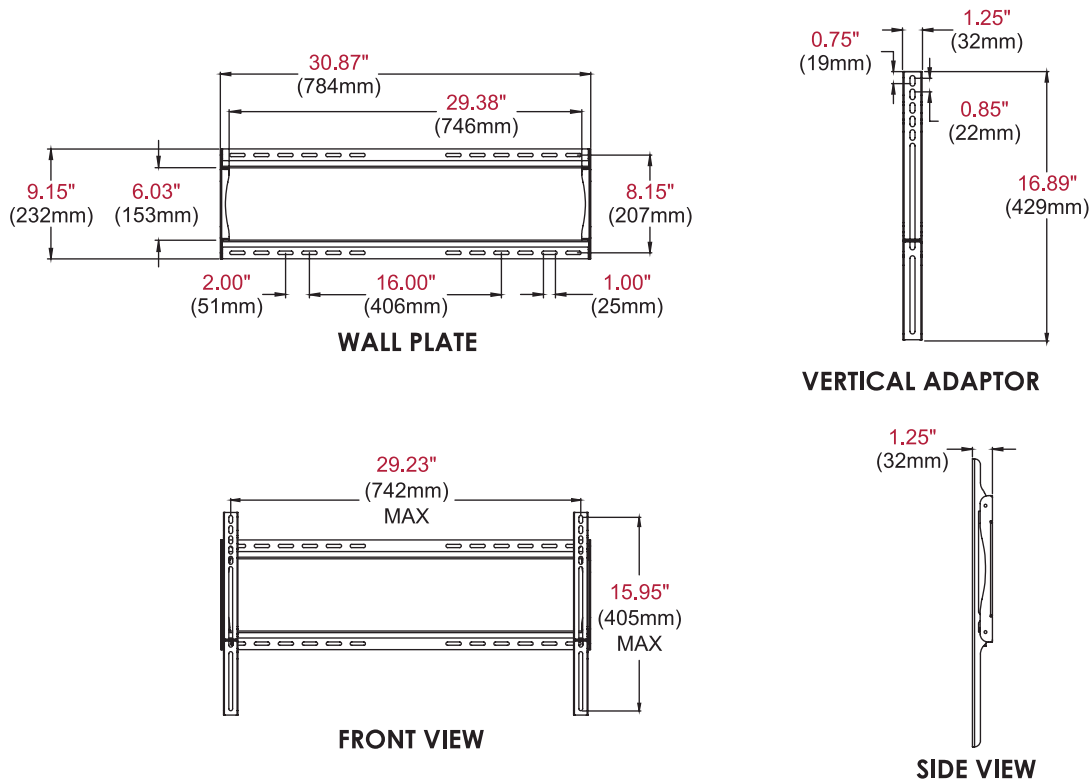
Package Specifications

	PACKAGE SIZE (W x H x D)	PACKAGE SHIP WEIGHT	PACKAGE UPC CODE	PACKAGE CONTENTS	UNITS IN PACKAGE
SF650(-AB/AW)(P)	32.00" x 10.06" x 3.50" (813 x 256 x 89mm)	8lb (3.62kg)	SF650: 735029250340 SF650P: 735029250364 SF650-AB: 735029283676 SF650-AW: 735029283683	Wall plate, universal brackets, mounting and display attachment hardware	1

Accessories

- ACC415:** 4-pack Metal Stud Fastener Kit
ACC309: Video Conference Shelf

All dimensions = inch (mm)



Architect Specifications

The Smartmount® Universal Flat Wall Mount shall be a Peerless-AV model SF650(-AB/AW)(P) and shall be located where indicated on the plans. Assembly and installation shall be done according to instructions provided by the manufacturer.

Visit peerless-av.com to see the complete line of AV solutions from Peerless-AV, including outdoor displays, wireless, kiosks, digital audio, display mounts, projector mounts, carts/stands, and a full assortment of accessories.

Peerless-AV
2300 White Oak Circle
Aurora, IL 60502 USA
(800) 865-2112
(630) 375-5100
Fax: (800) 359-6500

Peerless-AV Europe
Unit 3 Watford Interchange
Colonial Way, Watford
Herts, WD24 4WP
United Kingdom
+44 (0) 1923 200100
Fax: +44 (0) 1923 200101

Peerless-AV de México
Ave de las Industrias 413
Parque Industrial Escobedo
Escobedo, N.L.,
Mexico 66050
+52 (81) 8384-8300
Fax: +52 (81) 8384-8360



LIT-0593 rev.3