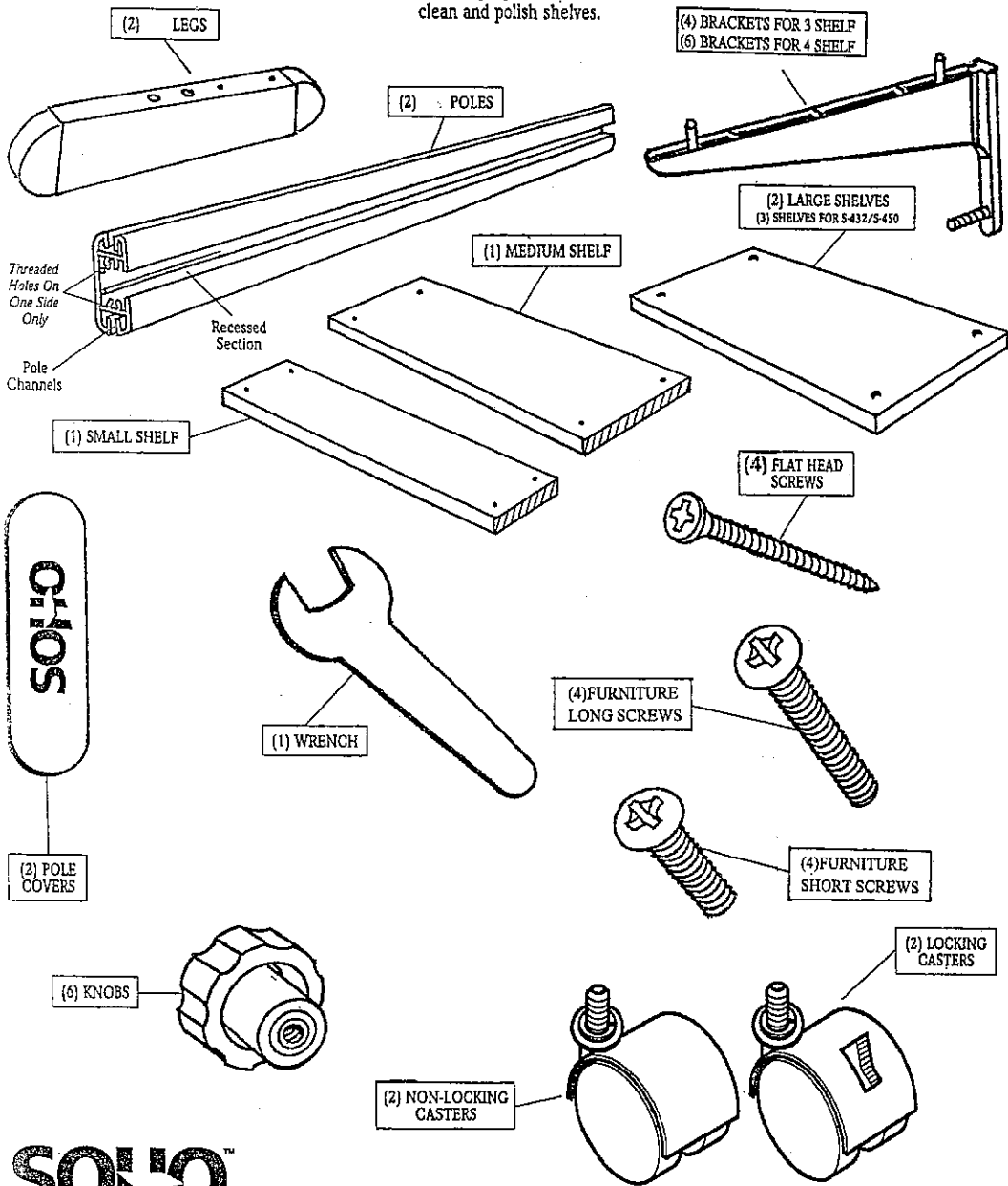


PARTS LIST

Use an all purpose cleaner to clean and polish shelves.



ASSEMBLY INSTRUCTIONS

PLEASE NOTE:
DO NOT EXCEED THE SOHO WORKSTATION'S 200 LB WEIGHT LIMIT

Adjustment Tips:

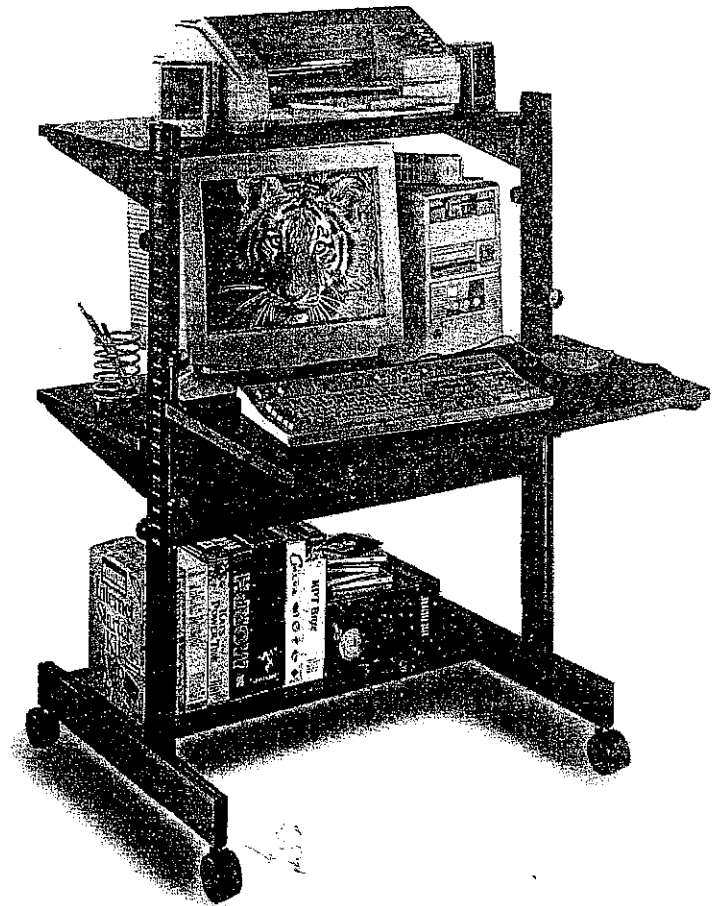
- Always adjust brackets, not the shelf.
- Hold bracket, loosen knob, then adjust.
- Adjust opposite bracket, then alternate.
- Hold narrow bracket end to lower shelf.
- Remove expensive or heavy equipment.

Ideal Monitor Height

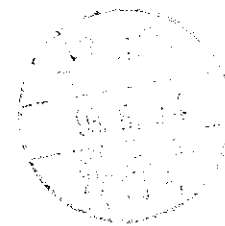
Keep top most line of monitor slightly below eye level and at a distance of 18"-24". Place monitor on middle or top back shelf.

Ideal Keyboard Height

Keep forearms parallel to floor, elbows at sides and wrists in line with forearms.



SOHO™
ADJUSTABLE COMPUTER TABLE
U. S. PATENT 5,531,168

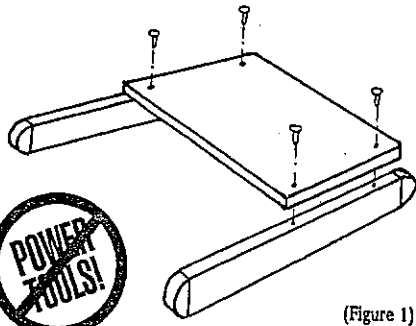


SOHO™
ADJUSTABLE COMPUTER TABLE
U. S. PATENT 5,531,168

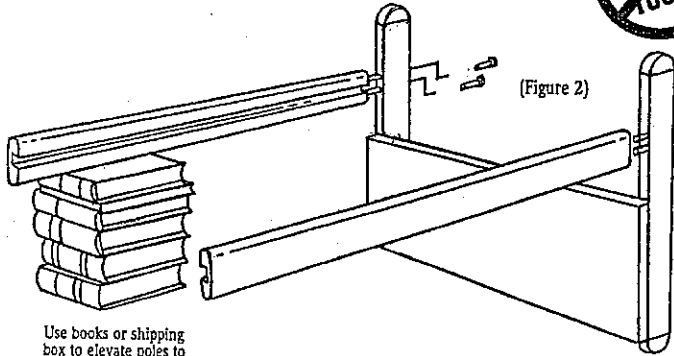
STEP 1: BUILD THE BASE

Parts: legs, medium shelf, furniture short screws
Phillips screwdriver.

1. Place medium shelf on top of legs (Fig. 1)
2. Line up shelf holes with smaller leg holes.
Insert screws using Phillips screwdriver (Not supplied)



(Figure 1)



(Figure 2)

Use books or shipping box to elevate poles to a parallel position.

STEP 2: ATTACH POLES TO FLAT SIDE OF LEGS

Parts: Poles, furniture long screws

1. Insert screws from bottom of legs into threaded holes in pole end (Fig.2)

STEP 3: COMPLETE THE FRAME

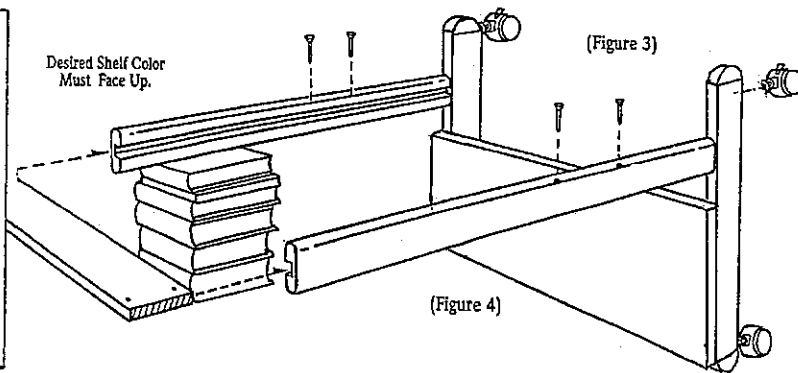
Parts: flat head screws, small shelf (Fig.3).

1. Slide small shelf inside recessed section of poles (Fig.3)
2. Line up shelf holes with pole holes.
Insert screws and firmly tighten to prevent interference with adjustments brackets.

STEP 4: ADD CASTERS

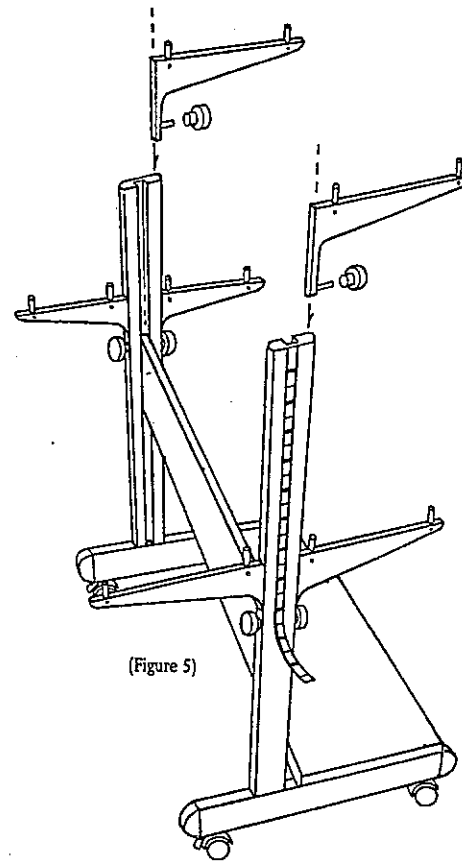
Parts: Locking and non-locking caster, wrench

1. Install casters into bottom of legs position 2 locking casters to front of legs.
2. Tighten with wrench provided.



(Figure 3)

(Figure 4)



(Figure 5)

STEP 5 : SECURE BRACKETS

Parts : Brackets, knobs(Fig.5).

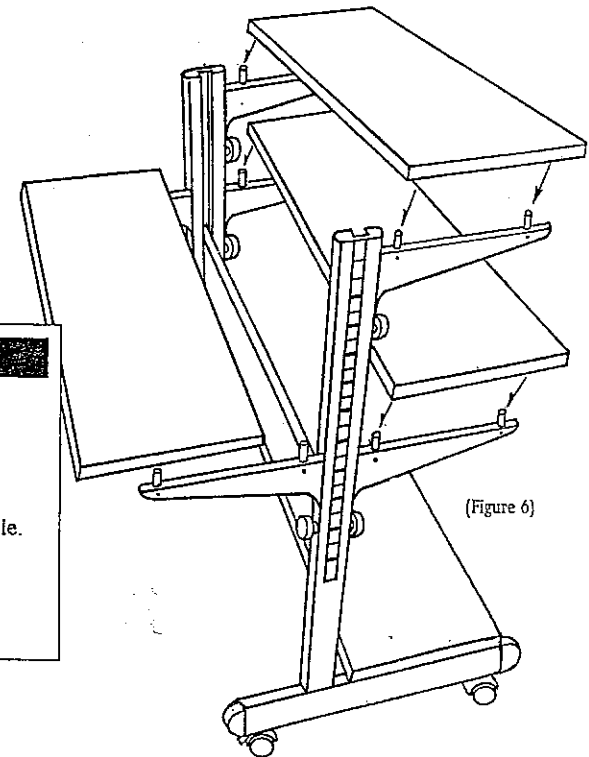
Use Knobs Only After Sliding Bracket Inside Pole.

1. Slide four brackets(two on model 332)down back pole channels. Plastic studs should be raised.
Twist knobs on brackets.
2. Slide two brackets down front poles channels.
Pull knob toward self gently but firmly while tightening.
Do not over tighten the knobs.
3. Apply adhesive adjustment tape to poles by peeling off backing.

STEP 6: LARGE SHELVES

Parts: Large shelves, pole covers.

1. Line up shelf holes with plastic studs and press down firmly.
2. To level shelves, refer to adjustment tape.
3. Peel off pole covers and apply to top of pole.



(Figure 6)