

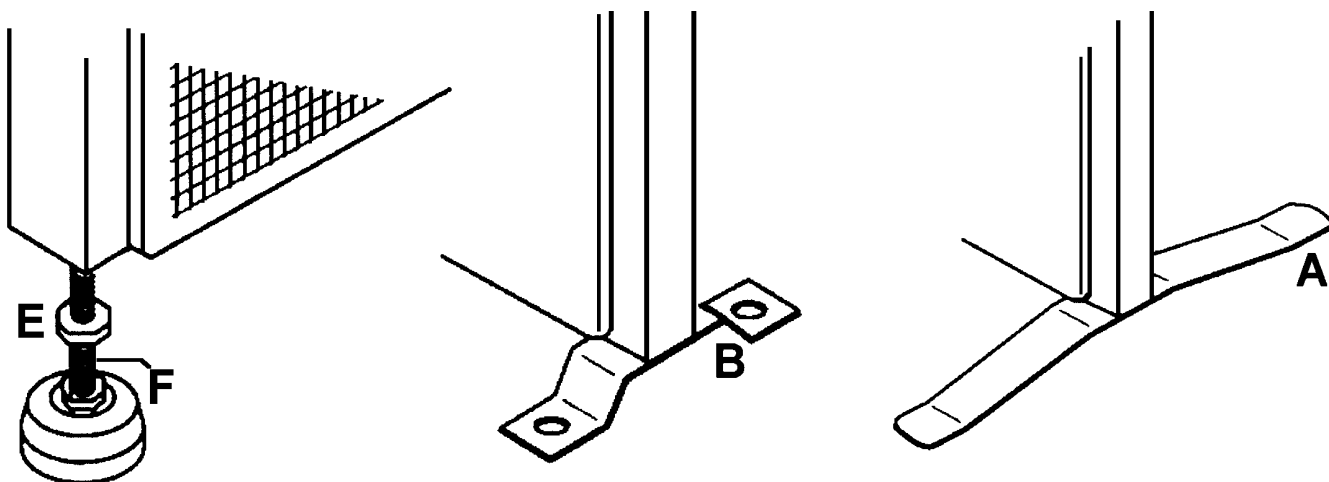
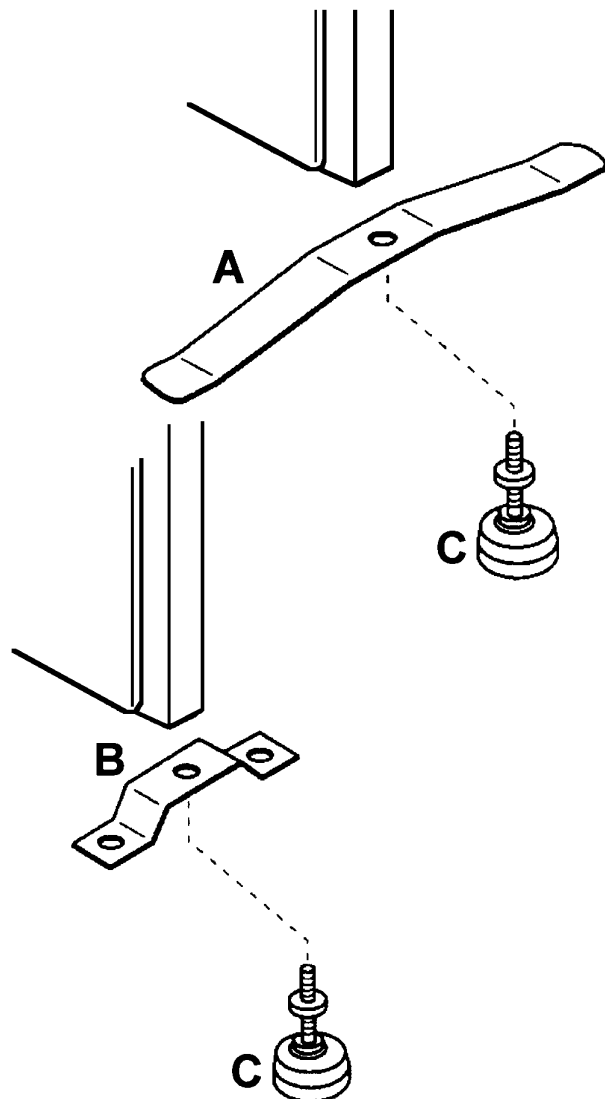
T-Base, Floor Mount, and Adjustable Glide Assembly Instructions

INSTRUCTIONS:

1. Remove Glide from bottom of panel. Find T-Base (A) or Floor Mount Bracket (B). Notice that hole in T-Base or Floor Mount Bracket is off-center. Position as shown on panel so that hole is towards outside of panel.
2. Insert Glide (C) through T-Base (A) or Floor Mount Bracket (B) and into bottom of panel frame. Tighten Glide and place panel assembly in final location.
3. Use this step for Floor Mount Bracket only. Connect Floor Mount Bracket to floor with proper hardware. Hardware used will depend upon type of floor attached to. Maxon Furniture Inc. does not provide hardware for this purpose. Floor Mount Bracket must be secured to floor for proper stability.

ADJUSTABLE GLIDES:

If Adjustable Glides are to be installed instead of T-Bases or Floor Mount Brackets, first make sure one flange nut (E) is on each glide stem (F) as shown. The flange nut will be used for installing panel connectors later. Install glide in bottom of panel frame leaving it out about 1" from bottom of panel.



maxon[™]

Maxon Furniture Inc.
21606 86th Place South • Kent, WA 98031-1926
Customer Service 1-800-876-4274

181-30005
Jan, 2004

SHEET 1 OF 2

Panel Support Hardware

HARDWARE

- T-BASE
- F-MOUNT FLOOR MOUNT
- AG-12 ADJUSTABLE GLIDES
- AGC-12 CARPET GRIPPERS

COLOR

- BLACK
- TAUPE
- GREY
- CHARCOAL



181-30005
Jan, 2004

INSPECTOR