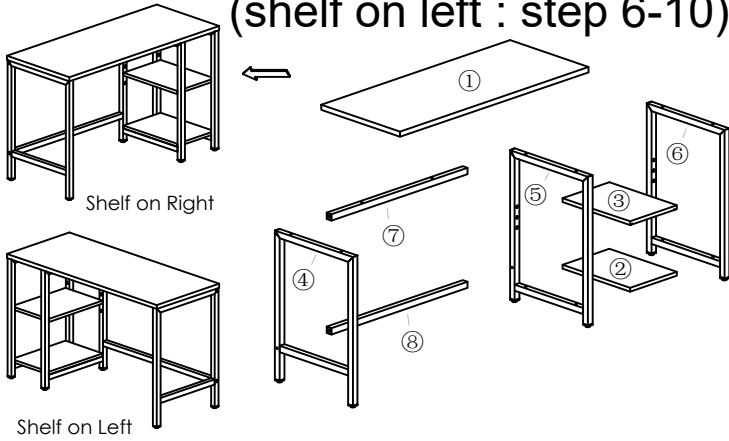


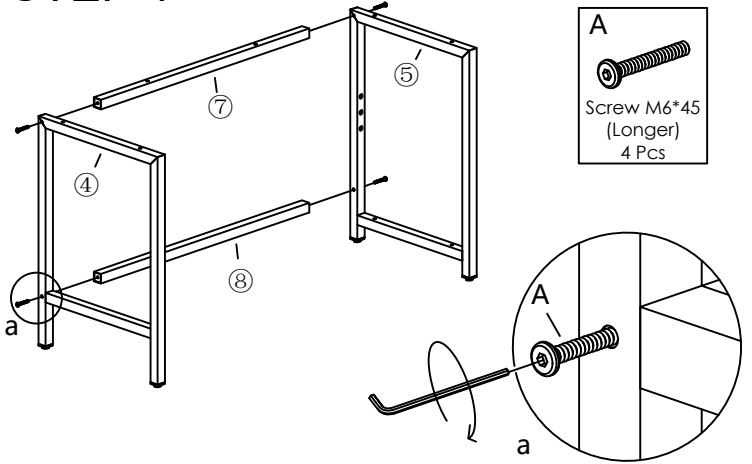
Assembly Instructions

① Table top 1 Pc	② Fix Shelf 1 Pc	③ Mobile Shelf 1 Pc	④ Steel leg 1 Pc	⑤ Steel leg (Mid) 1 Pc	⑥ Steel leg 1 Pc	⑦ Beam (Above) 1 Pc	⑧ Beam (Below) 1 Pc	A Screw M6*45 (Longer) 12 + 2 extra Pcs	B Screw M6*40 (Shorter) 4 Pcs For Shelf	C Cam Lock 4 Pcs	D 4# Allen Key 1 Pc
------------------------	------------------------	---------------------------	------------------------	---------------------------------	------------------------	------------------------------	------------------------------	--	---	------------------------	---------------------------

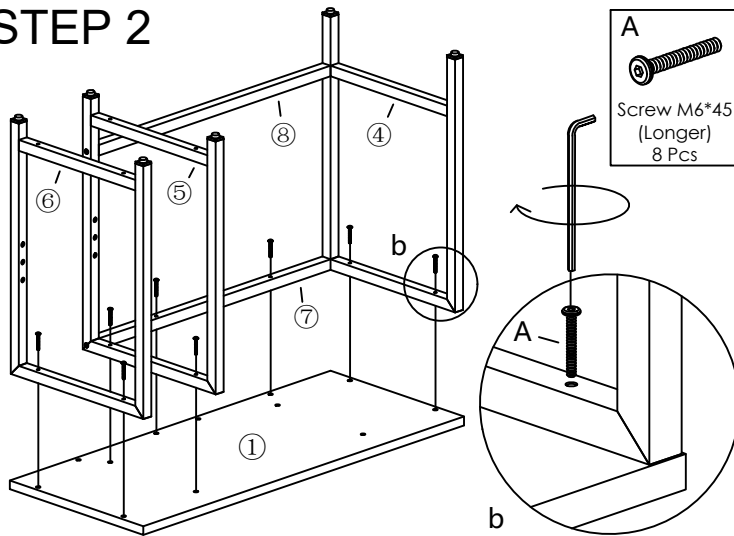
PART LIST (shelf on right : step 1-5) (shelf on left : step 6-10)



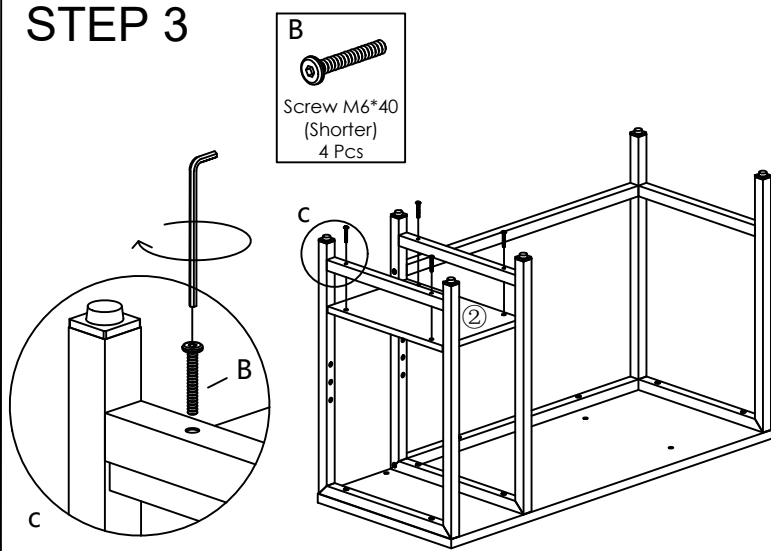
STEP 1



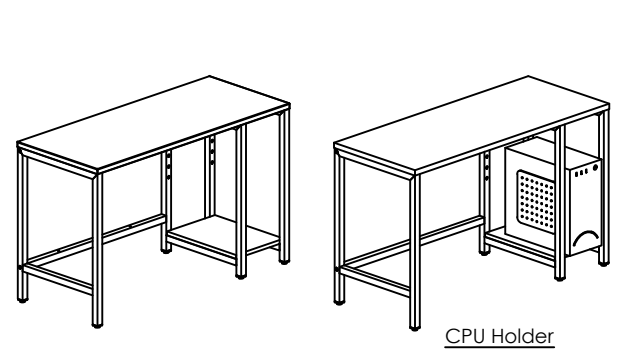
STEP 2



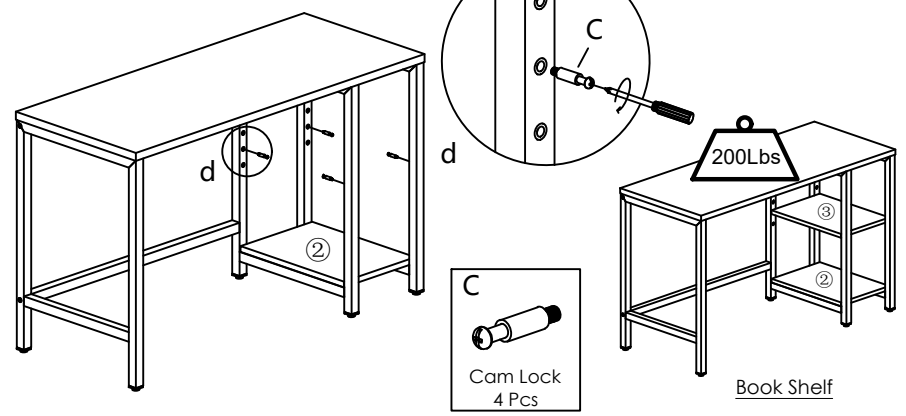
STEP 3



STEP 4

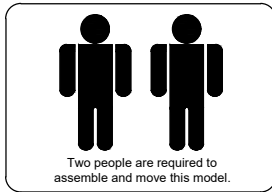


STEP 5



IMPORTANT NOTE:

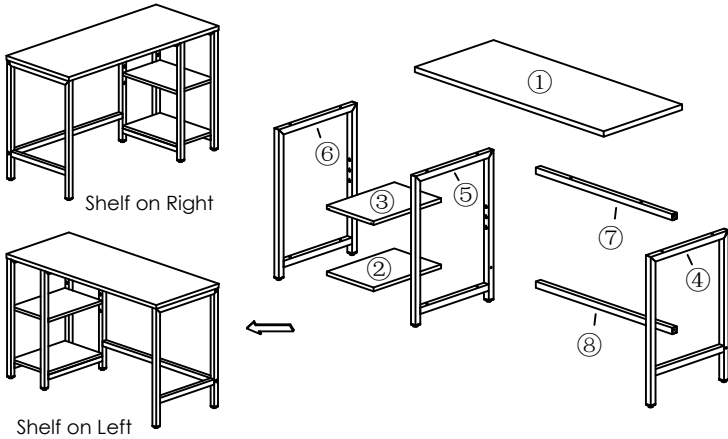
- Place all laminated parts on a clean and smooth surface such as a rug or carpet to avoid the parts from being scratched.
- Check to be sure that you have all parts and hardware.
- Remove all wrapping materials, including staples and packing straps before you start to assemble.
- Don't tighten all screws/bolts until all the pieces are completely assembled.
- Keep all hardware parts out children's reach.
- It is recommended for 2 people to complete this assembled.



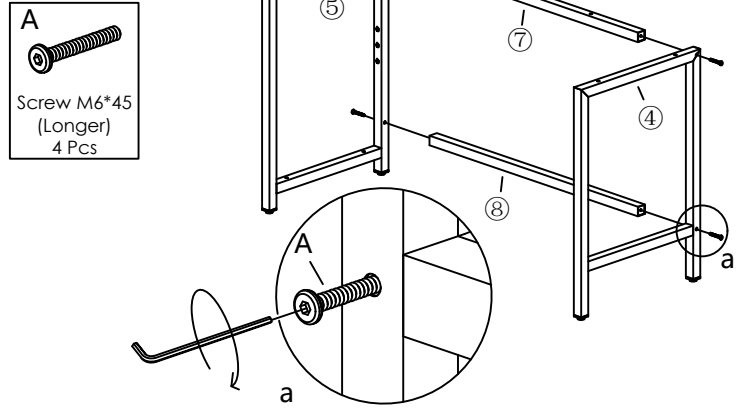
Assembly Instructions

① Table top 1 Pc	② Fix Shelf 1 Pc	③ Mobile Shelf 1 Pc	④ Steel leg 1 Pc	⑤ Steel leg (Mid) 1 Pc	⑥ Steel leg 1 Pc	⑦ Beam (Above) 1 Pc	⑧ Beam (Below) 1 Pc	A Screw M6*45 (Longer) 12 +2 extra Pcs	B Screw M6*40 (Shorter) 4 Pcs For Shelf	C Cam Lock 4 Pcs	D 4# Allen Key 1 Pc
------------------------	------------------------	---------------------------	------------------------	---------------------------------	------------------------	------------------------------	------------------------------	---	---	------------------------	---------------------------

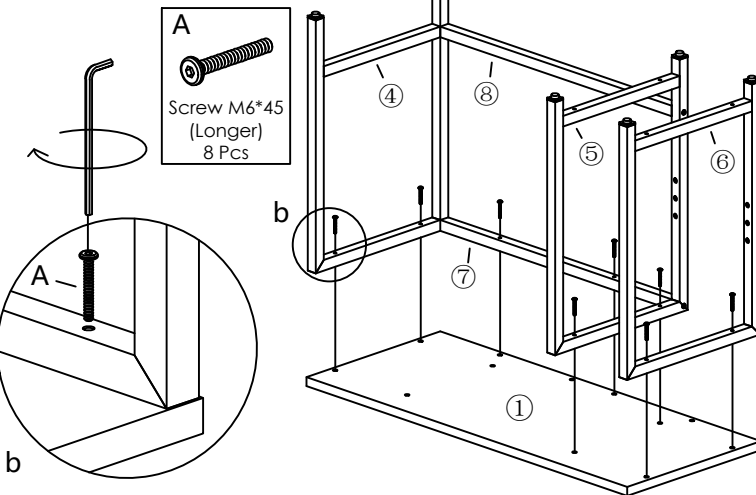
PART LIST (shelf on left : step 6-10)



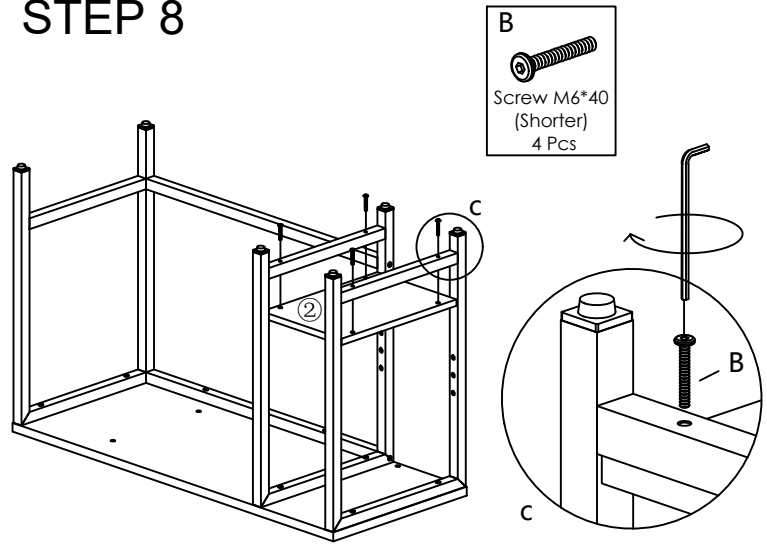
STEP 6



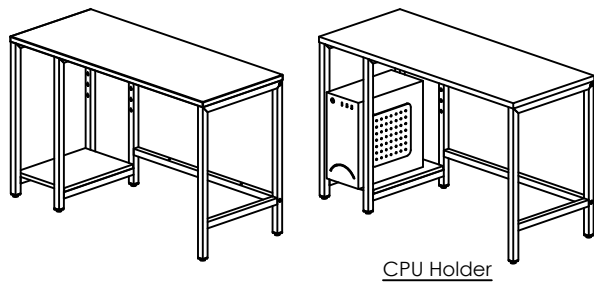
STEP 7



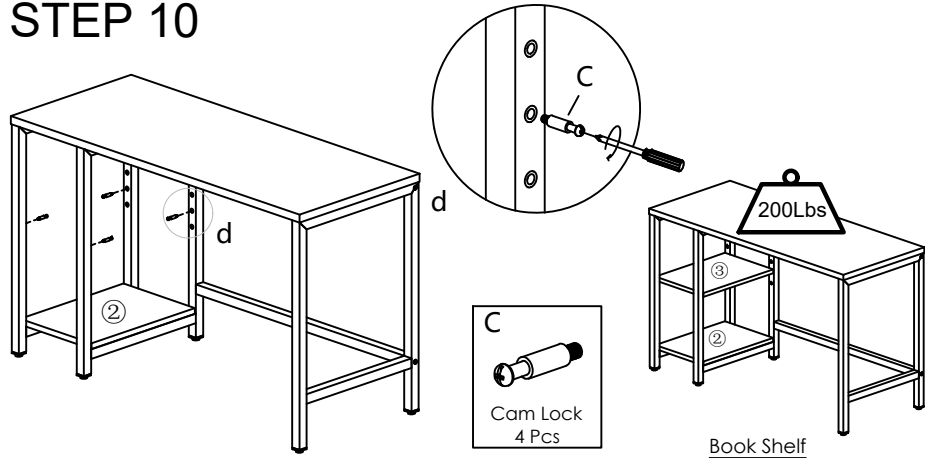
STEP 8



STEP 9



STEP 10



IMPORTANT NOTE:

- Place all laminated parts on a clean and smooth surface such as a rug or carpet to avoid the parts from being scratched.
- Check to be sure that you have all parts and hardware.
- Remove all wrapping materials, including staples and packing straps before you start to assemble.
- Don't tighten all screws/bolts until all the pieces are completely assembled.
- Keep all hardware parts out children's reach.
- It is recommended for 2 people to complete this assembled.

