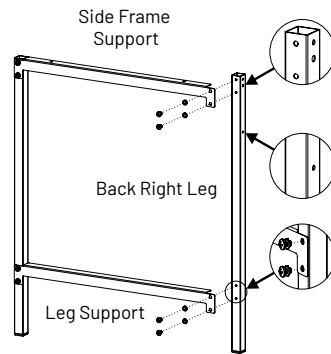
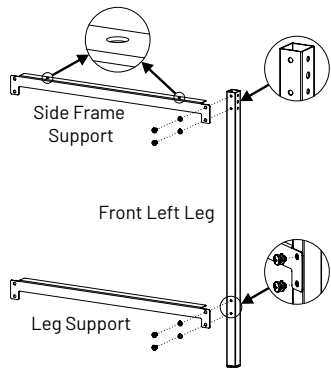


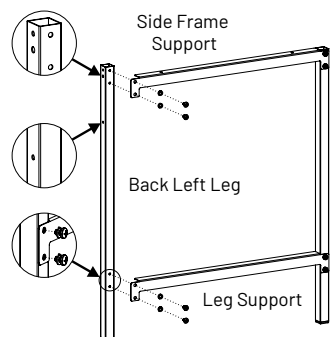
**1** Attach Leg Support (no holes in flange) and Side Frame Support (with holes in flange) to Front Right Leg using 4 Pan Head Screws and 4 Washers (ensuring Washers are snug against the head of the screws).



**2** Attach Leg Support (no holes in flange) and Side Frame Support (with holes in flange) from Step 1 to Back Right Leg using 4 Pan Head Screws and 4 Washers (ensuring Washers are snug against the head of the screws).



**3** Attach Leg Support (no holes in flange) and Side Frame Support (with holes in flange) to Front Left Leg using 4 Pan Head Screws and 4 Washers (ensuring Washers are snug against the head of the screws).



**4** Attach Leg Support (no holes in flange) and Side Frame Support (with holes in flange) from Step 3 to Back Left Leg using 4 Pan Head Screws and 4 Washers (ensuring Washers are snug against the head of the screws).

### Hardware Included:

900000383



**Wood Screw**  
X5108  
QTY:10



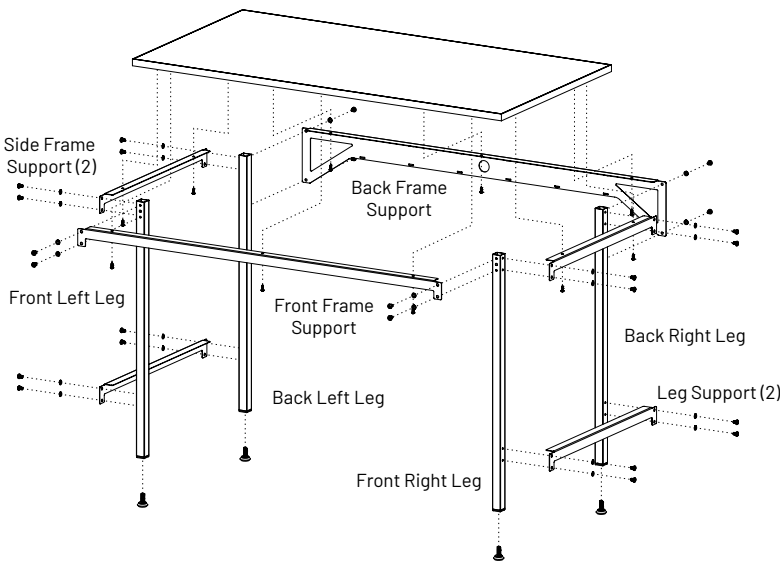
**Pan Head Screw**  
905000507  
QTY:24



**Leveler**  
Q444  
QTY:4

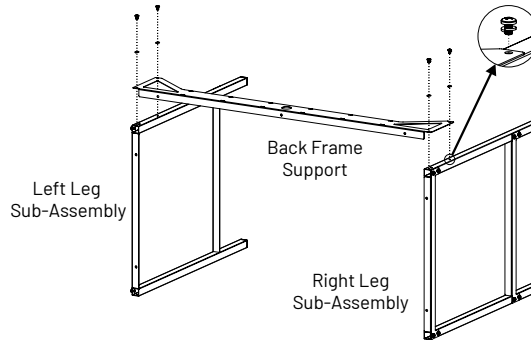
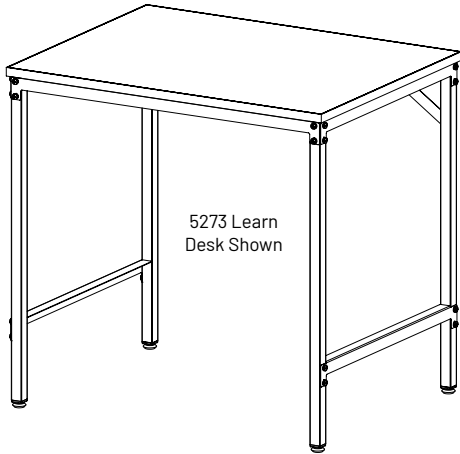


**Lock Washer**  
915000089  
QTY:24



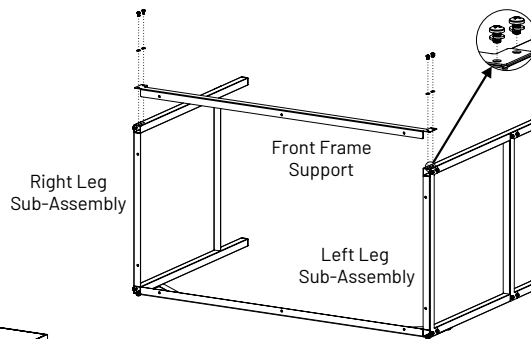
For questions or concerns, please call 1-888-971-6225 available Monday-Friday 7:30 AM to 5:00 PM CST (English-speaking operators)

Product Warranty is available at:  
[safcoproducts.com](http://safcoproducts.com)



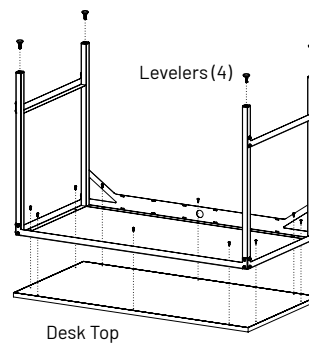
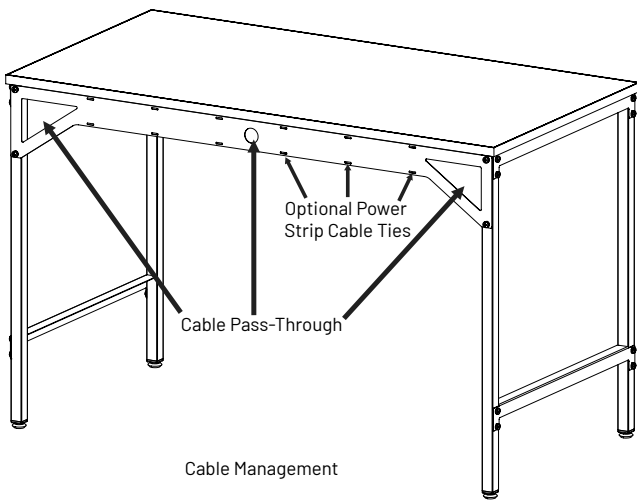
# 5

Attach Back Frame Support to Right and Left Leg Sub-Assemblies from Steps 2 and 4 using 4 Pan Head Screws and 4 Washers (ensuring Washers are snug against the head of the screws).



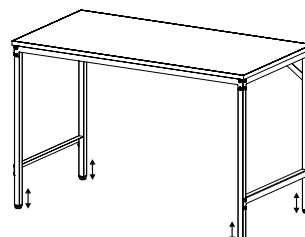
# 6

Attach Front Frame Support to Right and Left Leg Sub-Assemblies from Steps 2 and 4 using 4 Pan Head Screws and 4 Washers (ensuring Washers are snug against the head of the screws).



# 7

Attach Assembly from Step 6 to the Desk Top using 10 Wood Screws into the 10 pilot holes in the Desk Top. Screw 1 Leveler into each of the 4 Legs until tight



# 8

Turn Desk over and ensure proper leveling by adjusting the Levelers.

For questions or concerns, please call 1-888-971-6225 available Monday-Friday 7:30 AM to 5:00 PM CST (English-speaking operators)

Product Warranty is available at:  
[safcoproducts.com](http://safcoproducts.com)