

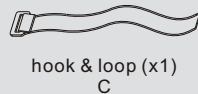
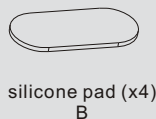
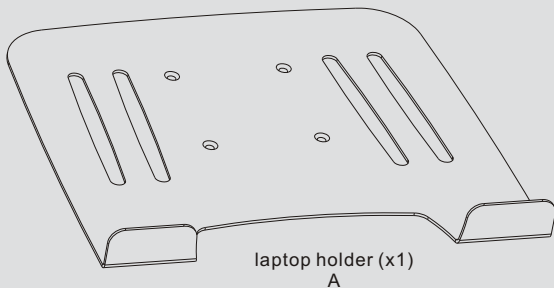
NOTE: Read the entire instruction manual before you start installation and assembly.

⚠ WARNING

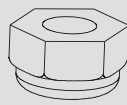
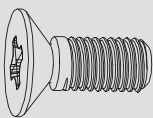
- Do not begin the installation until you have read and understood all the instructions and warnings contained in this installation sheet. If you have any questions regarding any of the instructions or warnings, please contact your local distributor.
- This mounting bracket was designed to be installed and utilised **ONLY** as specified in this manual. Improper installation of this product may cause damage or serious injury.
- Make sure that the supporting surface will safely support the combined weight of the equipment and all attached hardware and components.
- Tighten screws firmly, but do not over tighten. Over tightening can cause damage to the items, This greatly reduces their holding power.
- This product is intended for indoor use only. Using this product outdoors could lead to product failure and personal injury.

Component Checklist

IMPORTANT: Ensure that you have received all parts according to the component checklist prior to installing. If any parts are missing or faulty, telephone your local distributor for a replacement.

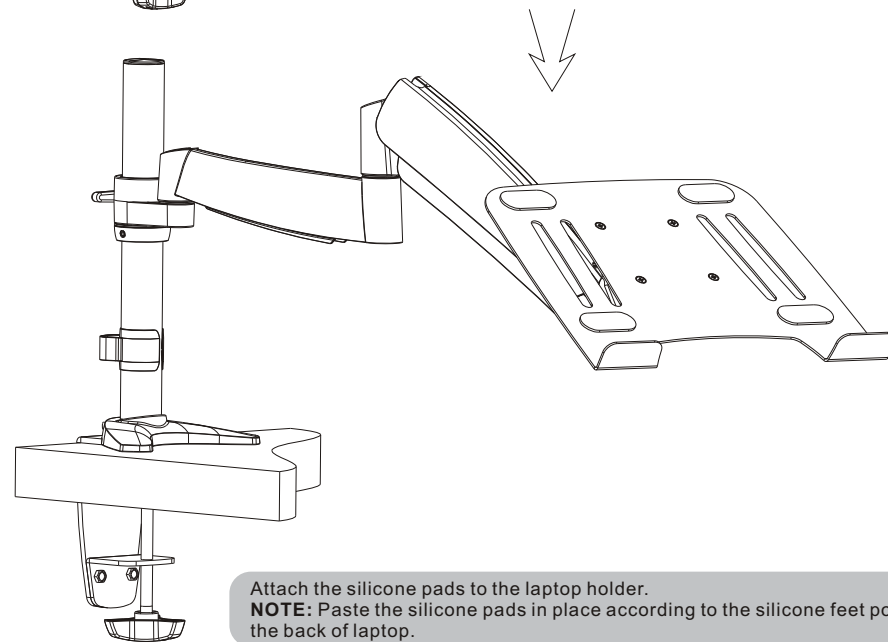
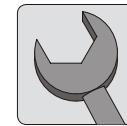
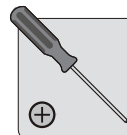
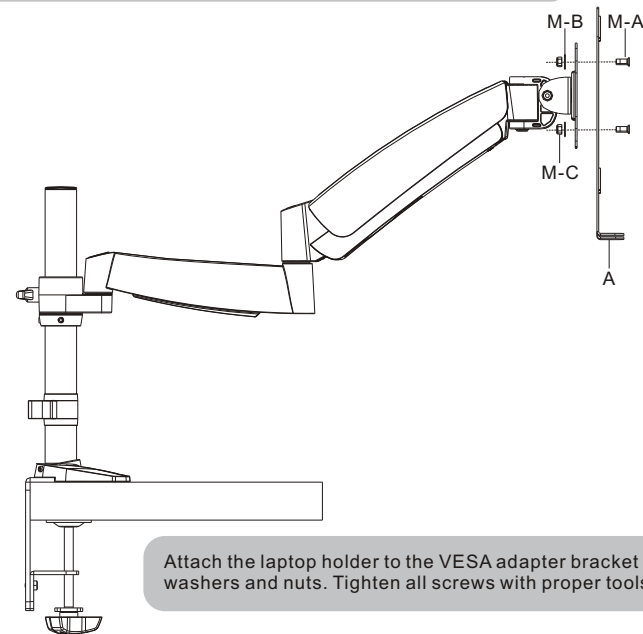


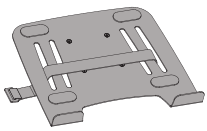
Package M



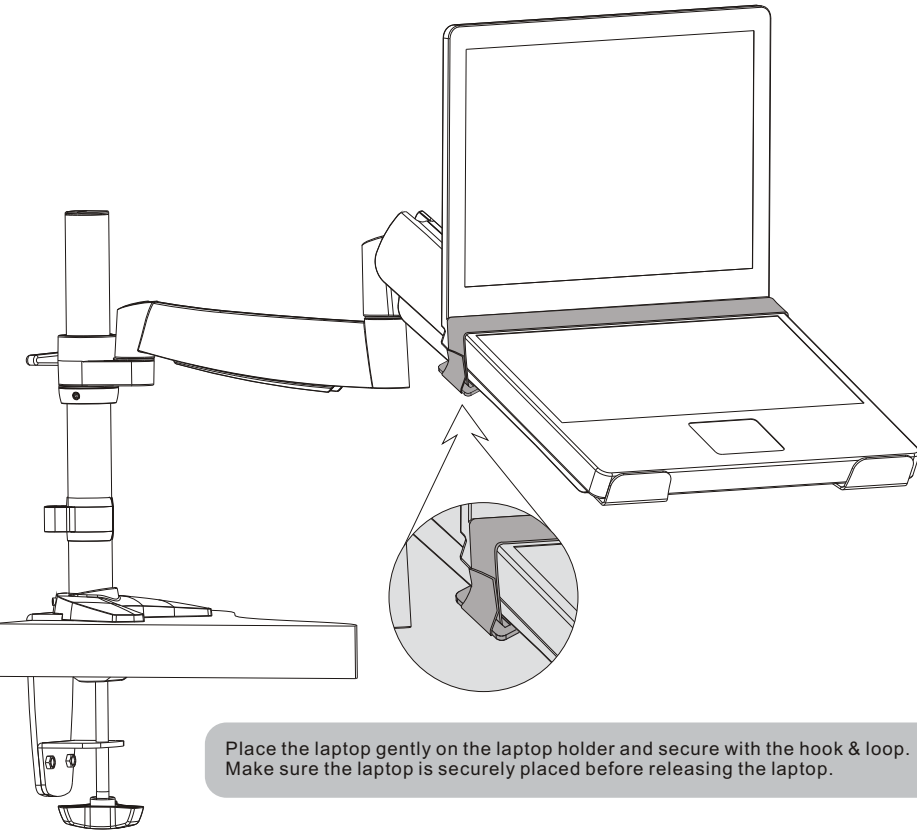
1. Installing the Laptop Holder

This laptop holder is compatible with adapter bracket that has a VESA 75x75 and at least a pitching angle of +60°.





2. Placing the Laptop

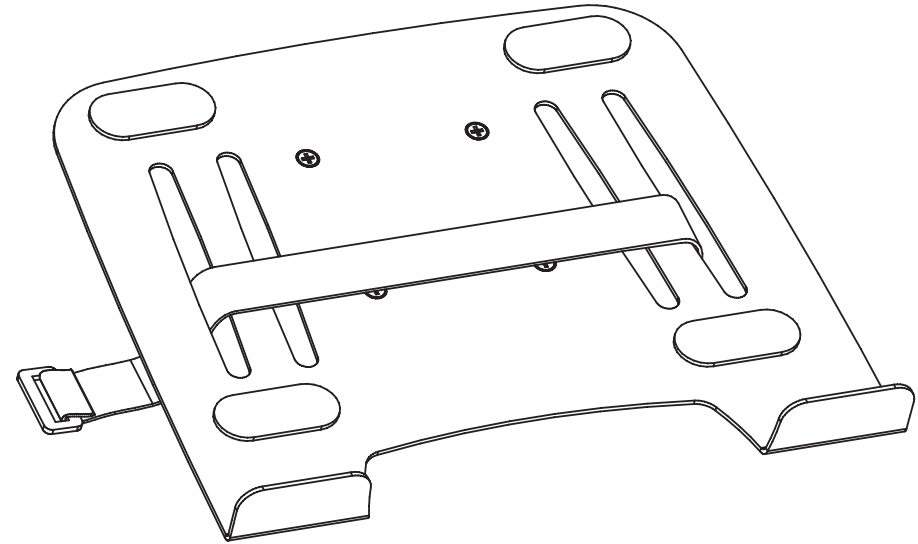


Place the laptop gently on the laptop holder and secure with the hook & loop. Make sure the laptop is securely placed before releasing the laptop.

Maintenance

- Check that the bracket is secure and safe to use at regular intervals(at least every three months).
- Please contact your distributor if you have any questions.

Laptop Holder



NBH-1

10"-15"



CAUTION: DO NOT EXCEED RATED LISTED WEIGHT. SERIOUS INJURY OR PROPERTY DAMAGE MAY OCCUR!