


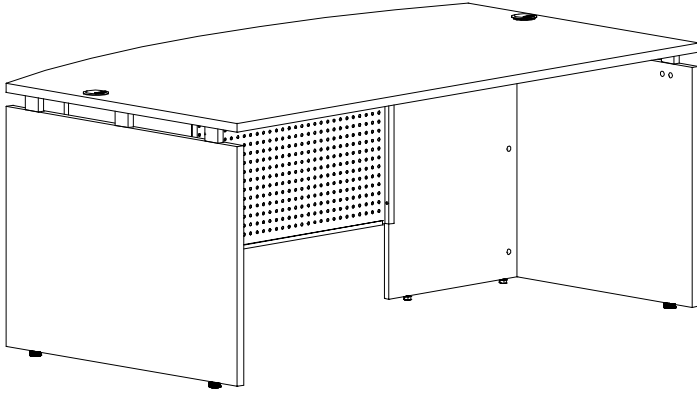


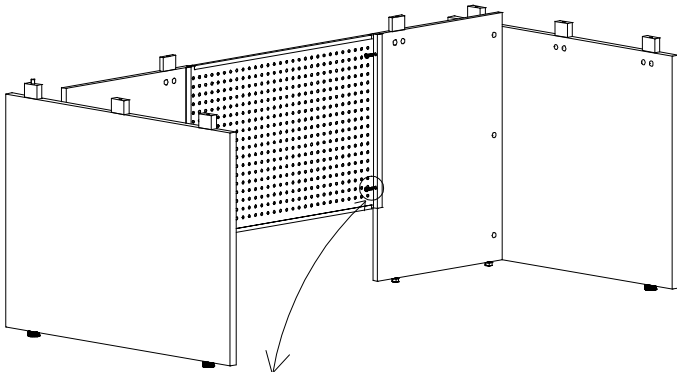
**Assembly Instructions**  
**MODEL NO.:LLR63505/LLR63506/LLR63507/LLR63508**  
**Wood Modesty Panel**

<b>A</b>  Cam Lock 4Pcs	<b>B</b>  Klix Cam 4Pcs	<b>C</b>  Cam Cover 4Pcs
---	---	--

**STEP1**

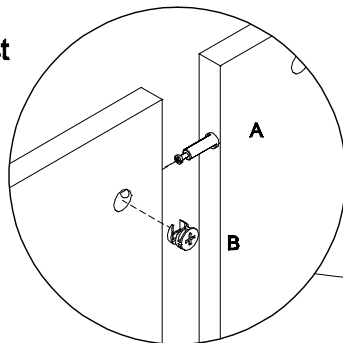


**STEP2**




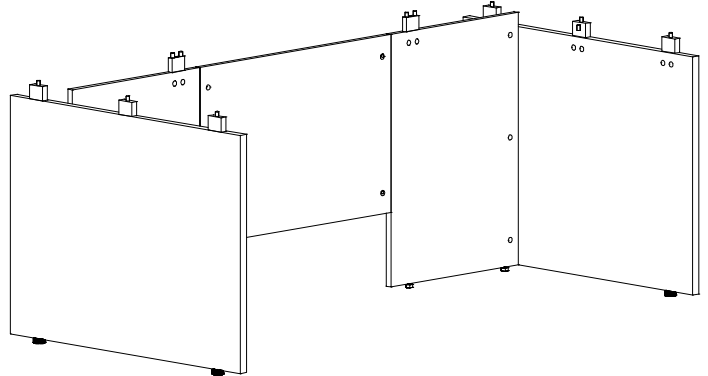
**Illustration Depicts:**  
 Wood modesty panel replace the metal it should be disassembled Top first

**COMPLETED ASSEMBLY**



**STEP3**

**IMPORTANT:**  
**FUNCTION OF KLIX CAM**  
  
 1/4 RIGHT TURN FOR LOCKING  
 MAKE SURE THE ARROW IS POINTING UPWARDS BEFORE INSERTING INTO THE PANEL'S HOLE.



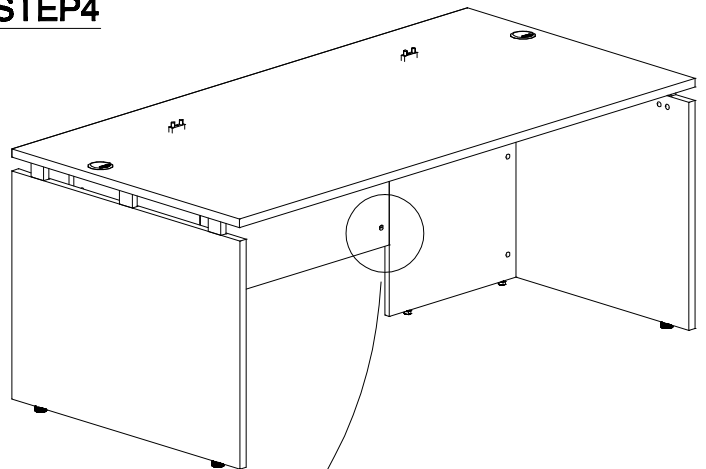
**Illustration Depicts:**

Wood Modesty Panel is optional

LLR 63505/ LLR 63506 Match LLR 68686/ LLR 68687

LLR 63507/ LLR 63508 Match LLR 68680- LLR 68685

**STEP4**



**COMPLETED ASSEMBLY**

**IMPORTANT NOTE:**

- Place all laminated parts on a clean and smooth surface such as a rug or carpet to avoid the parts from being scratched.
- Check to be sure that you have all parts and hardware.
- Remove all wrapping materials, including staples & packing straps before you start to assemble.
- Don't tighten all screws/bolts until all completely assembled.
- Keep all hardware parts out of reach of children.
- It is recommended to require 2 persons to complete the assembly.