

ROUND TABLE PRIVACY BOARD ASSEMBLY INSTRUCTIONS

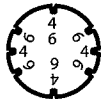
PARTS LIST



TOP
DIVIDER (1)

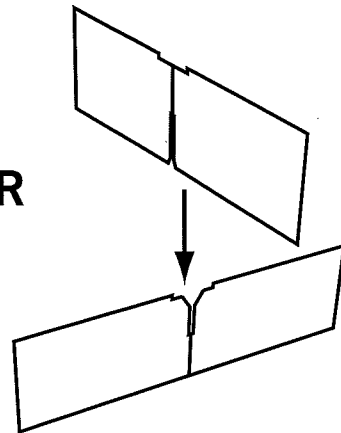


BOTTOM
DIVIDER (2)

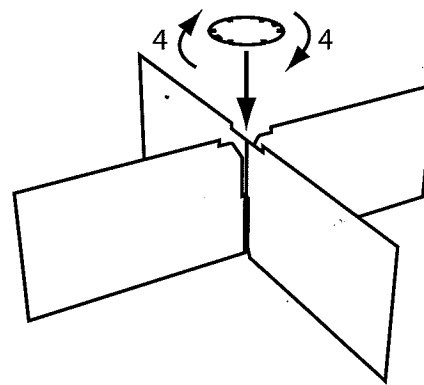


DISK (1)

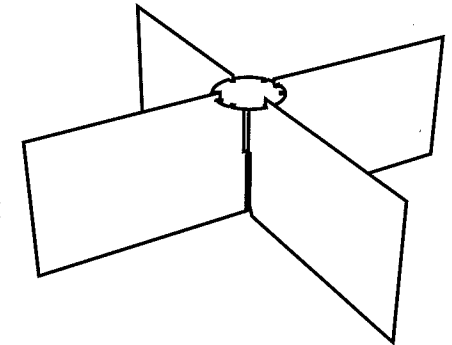
FOUR CELL DIVIDER



1. Insert TOP DIVIDER into the BOTTOM DIVIDER.

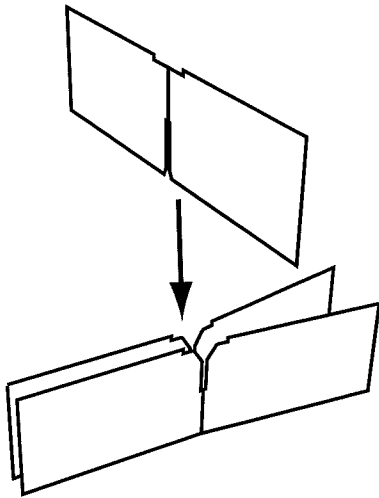


2. Place DISK into the center of ASSEMBLED DIVIDER. Rotate it so the slots with "4" printed are aligned with the DIVIDERS.

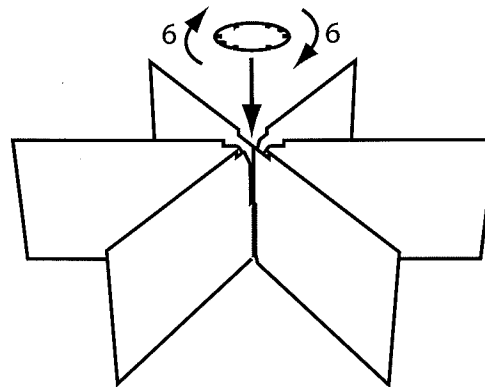


ASSEMBLED
FOUR CELL DIVIDER

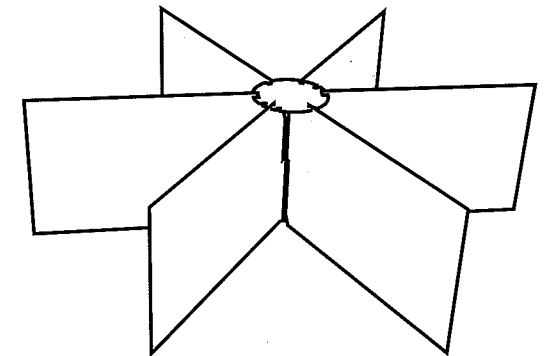
SIX CELL DIVIDER



1. Insert TOP DIVIDER into the 2 BOTTOM DIVIDERS.



2. Place DISK into the center of ASSEMBLED DIVIDER. Rotate it so the slots with "6" printed are aligned with the DIVIDERS.



ASSEMBLED
SIX CELL DIVIDER