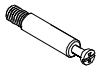

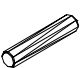
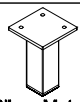
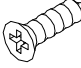


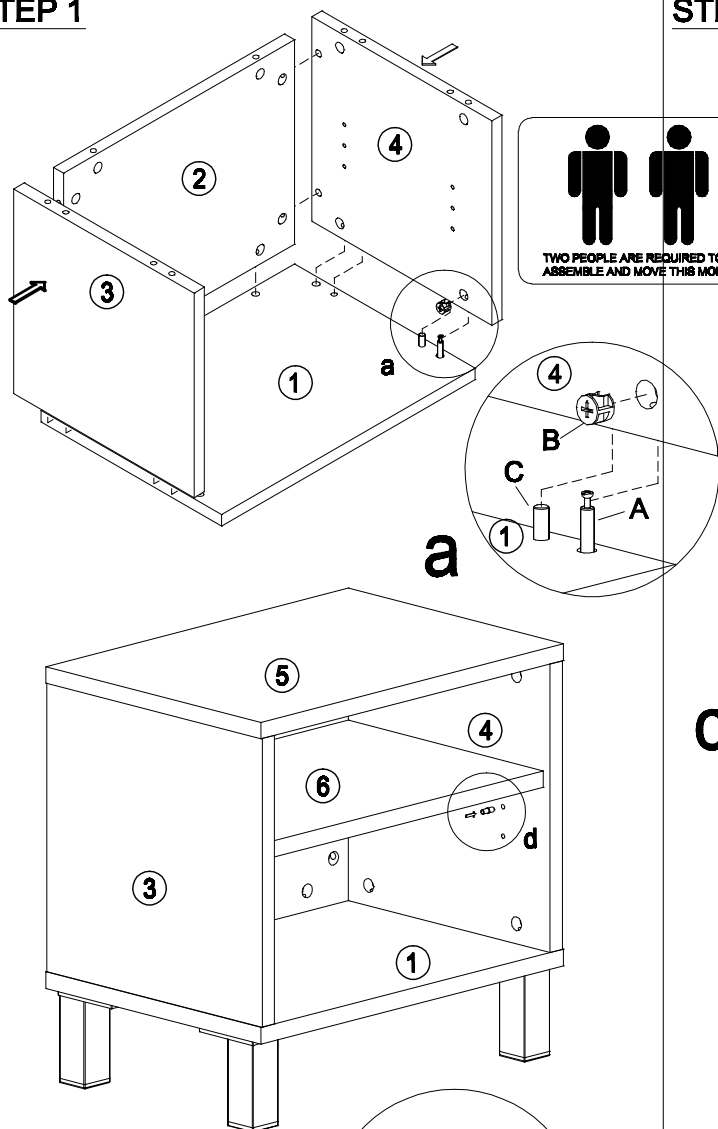


MODEL  
NO.:LLR81930/LLR81931/LLR81932/LLR81933

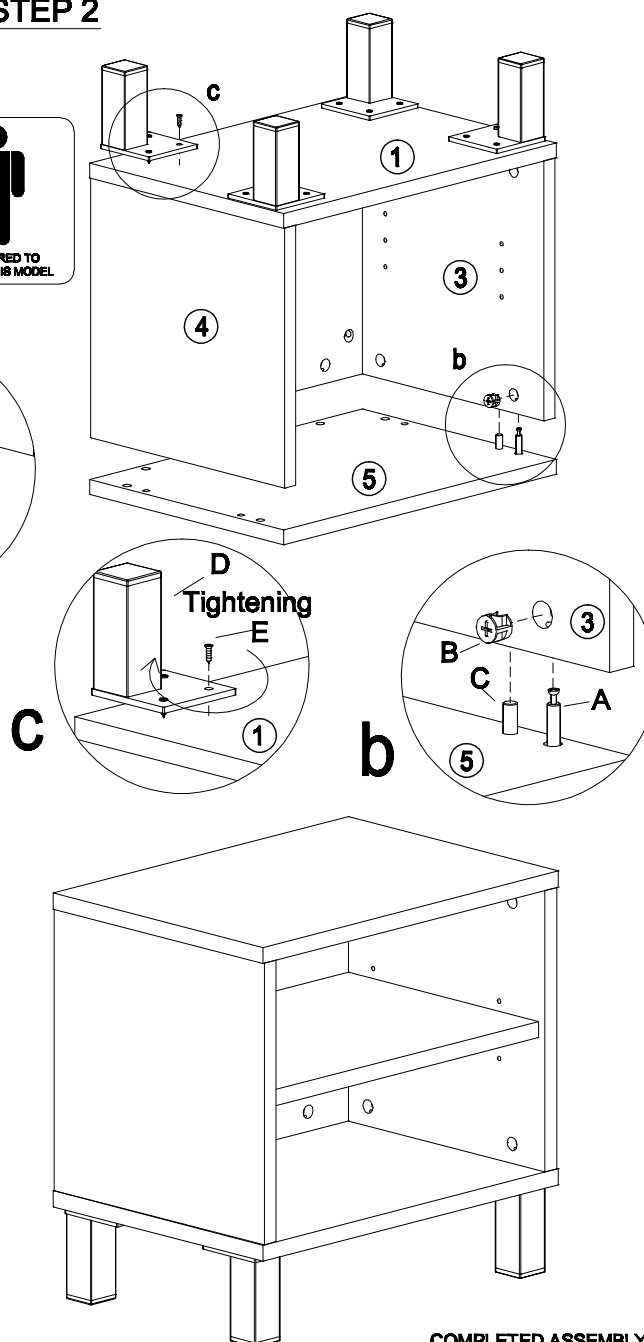
**Upper Desk Cabinet**

<b>A</b>  <b>Cam LOCK</b> <b>16PCS</b>	<b>B</b>  <b>Klix Cam</b> <b>16PCS</b>	<b>C</b>  <b>Dowel</b> <b>8PCS</b>	<b>D</b>  <b>Silver Metal Square Leg</b> <b>4PCS</b>	<b>E</b>  <b>Screw #4*14</b> <b>12PCS</b>	<b>F</b>  <b>Shelf Dowel</b> <b>4PCS</b>	<b>G</b>  <b>Cam Cover</b> <b>16PCS</b>
--	--	--	--	---	--	---

**STEP 1**



**STEP 2**

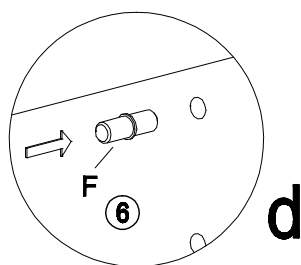


**IMPORTANT:**

**FUNCTION OF KLIX CAM**

 1/4 RIGHT TURN FOR LOCKING

MAKE SURE THE ARROW IS POINTING UPWARDS BEFORE INSERTING INTO THE PANEL'S HOLE.



**COMPLETED ASSEMBLY**

**IMPORTANT NOTE:**

- Place all laminated parts on a clean and smooth surface such as a rug or carpet to avoid the parts from being scratched.
- Check to be sure that you have all parts and hardware.
- Remove all wrapping materials, including staples & packing straps before you start to assemble.
- Don't tighten all screws/bolts until all completely assembled.
- Keep all hardware parts out of reach of children.
- It is recommended to require 2 persons to complete the assembly.