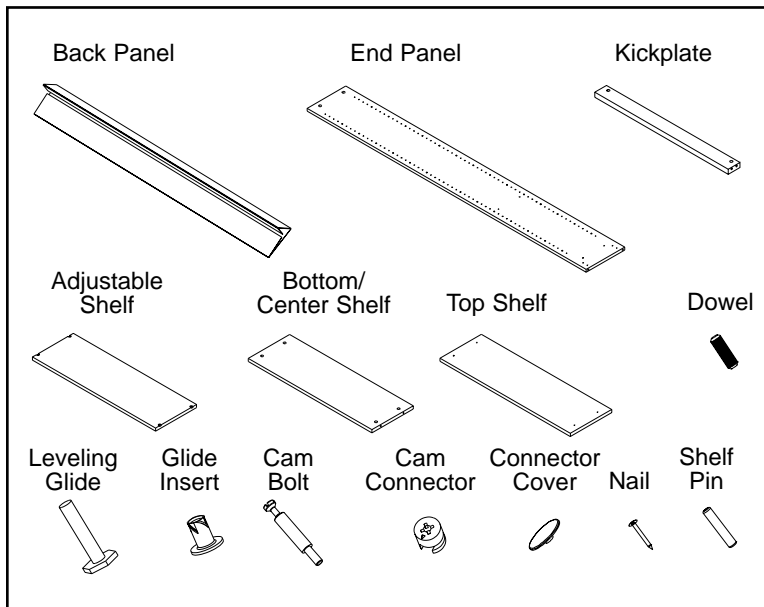


# BOOKCASE



# INSTALLATION INSTRUCTIONS

Illustration 1



Read all instructions and review illustrations before installing.

Tools required for assembly:  
 Phillips screwdriver  
 Hammer  
 Level  
 Tape measure

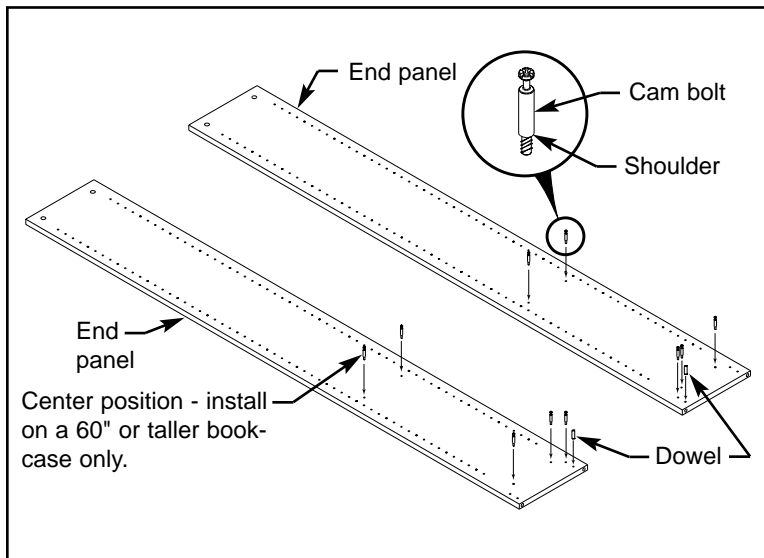
## WARNING

Wood products are heavier than they appear and may be hard to control when moving. Use two or more people when moving wood products or severe personal injury may result.

Heavy panels can pinch or crush fingers. Do not place fingers between or under panels during assembly.

To prevent the possibility of serious eye injury, always wear eye protection when hammering.

Illustration 2



### Bookcase Assembly:

#### NOTE

Installation of a center/bottom shelf and shelf hardware (cam bolts and cam connectors) in the center position is required on 60" and taller bookcases only. Illustrations show assembly of 60" bookcases. **Do not** install center shelf and center shelf hardware onto bookcases smaller than 60".

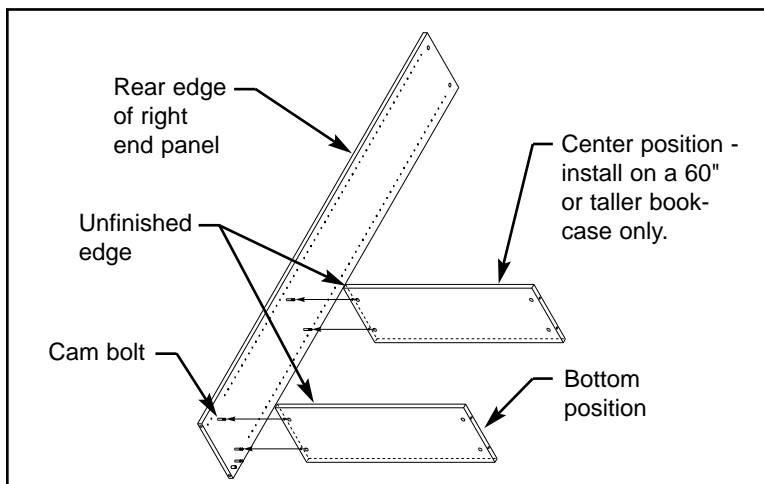
1. Refer to Illustration 2. Lay end panels, with holes up, on cardboard or a carpeted surface.
2. Refer to Illustration 2. Use the Phillips screwdriver to install cam bolts (from hardware pack) into locations shown. Tighten cam bolts until cam bolt shoulder is flush against surface of end panel.

Use the hammer to install a dowel (from hardware pack) onto each end panel as shown.

#### NOTE

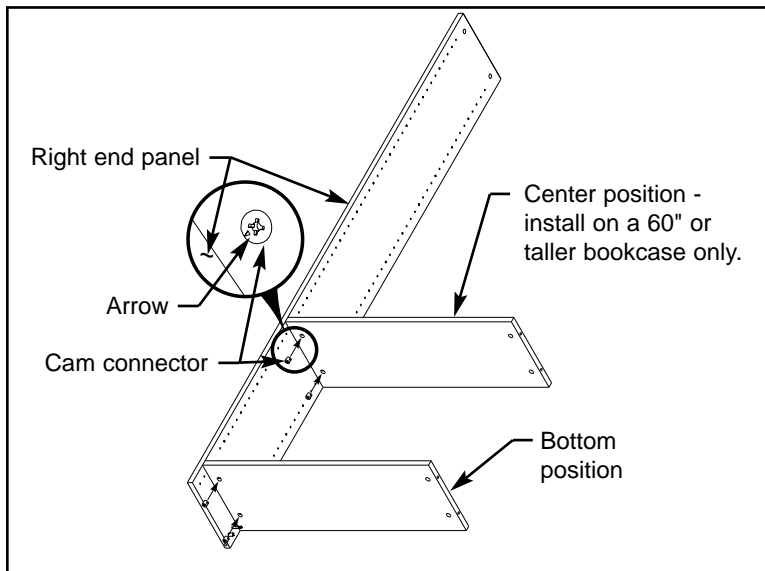
Once hardware is installed onto the end panels they become handed. Each end panel will now be identified as the right or left end panel.

Illustration 3



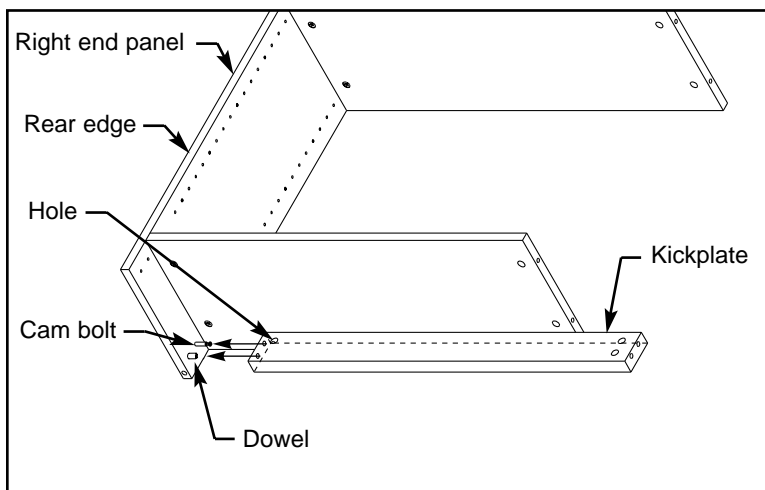
3. Refer to Illustration 3. On right end panel, position bottom shelf and (if 60" or larger bookcase) center shelf onto cam bolts. Ensure unfinished edge of each shelf faces rear edge of right end panel.

**Illustration 4**



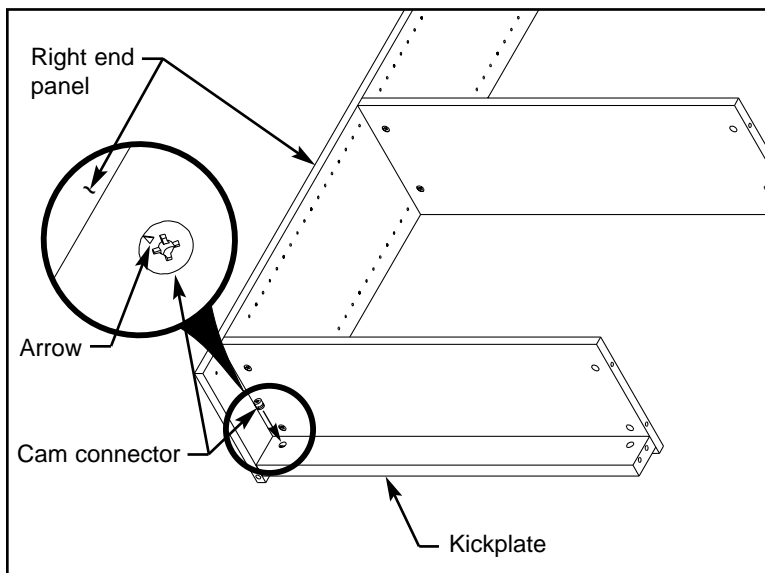
4. Refer to Illustration 4. With arrows facing the right end panel, install cam connectors (from hardware pack) into holes along lower edge of each shelf as shown. Use the Phillips screwdriver to tighten cam connectors. Turn cam connectors clockwise to tighten.

**Illustration 5**



5. Refer to Illustration 5. On right end panel, position kick plate onto remaining cam bolt and dowel. Ensure hole in side of kickplate faces rear edge of right end panel.

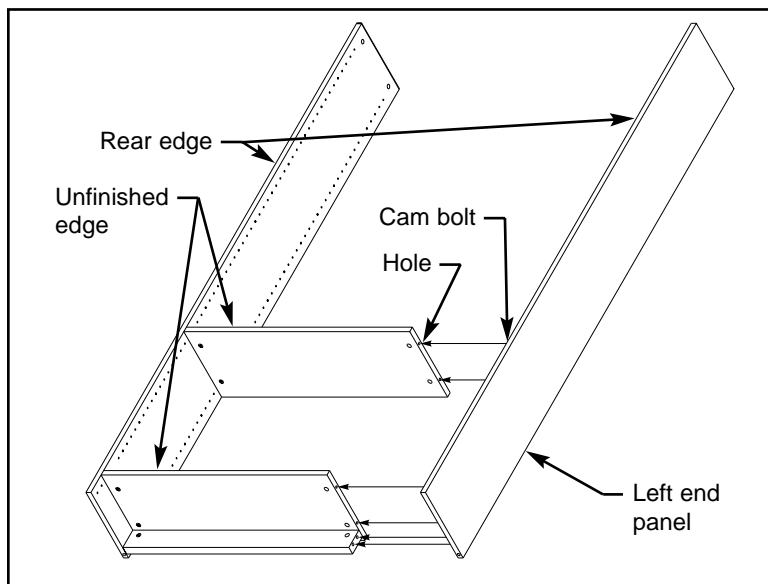
**Illustration 6**



6. Refer to Illustration 6. With arrow facing the right end panel, install a cam connector (from hardware pack) into hole along lower edge of kick plate as shown. Use the Phillips screwdriver to tighten cam connector. Turn cam connector clockwise to tighten.

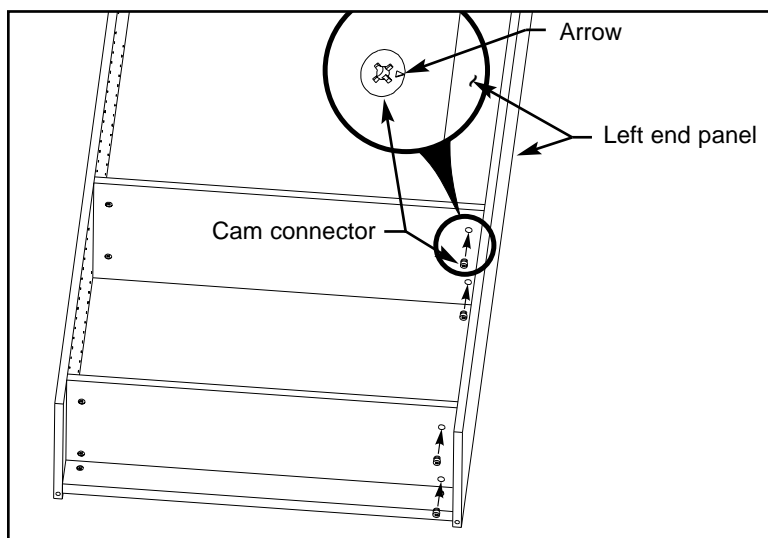
# BOOKCASE

Illustration 7



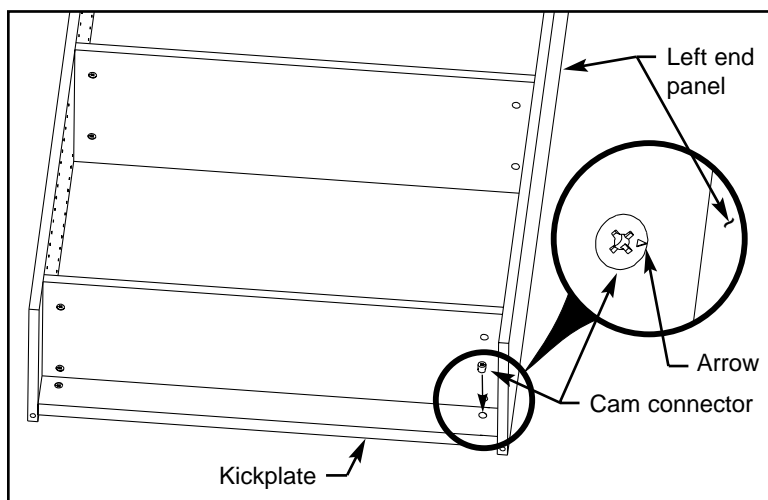
7. Refer to Illustration 7. Install left end panel by inserting ends of cam bolts, attached to left end panel, into holes drilled into edges of shelves and kickplate. Ensure rear edge of left end panel matches with the unfinished edge of shelves.

Illustration 8



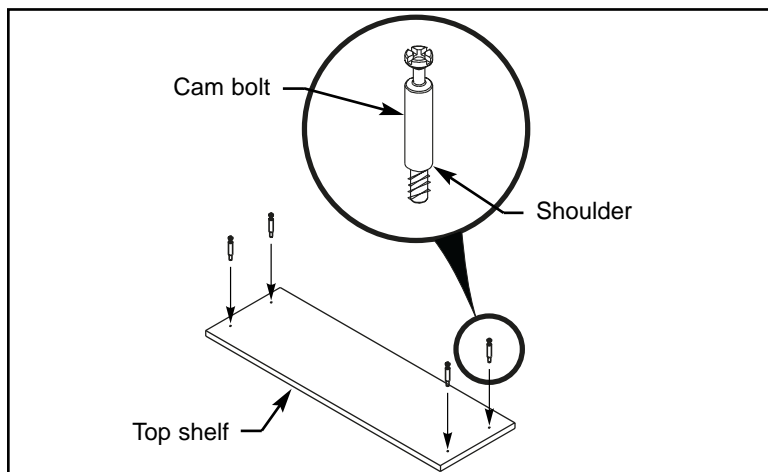
8. Refer to Illustration 8. With arrows facing the left end panel, install cam connectors (from hardware pack) into holes along upper edge of bottom and center shelf as shown. Use the Phillips screwdriver to tighten cam connectors. Turn cam connectors clockwise to tighten.

Illustration 9



9. Refer to Illustration 9. With arrow facing the left end panel, install a cam connector (from hardware pack) into hole along upper edge of kick plate as shown. Use the Phillips screwdriver to tighten cam connector. Turn cam connector clockwise to tighten.

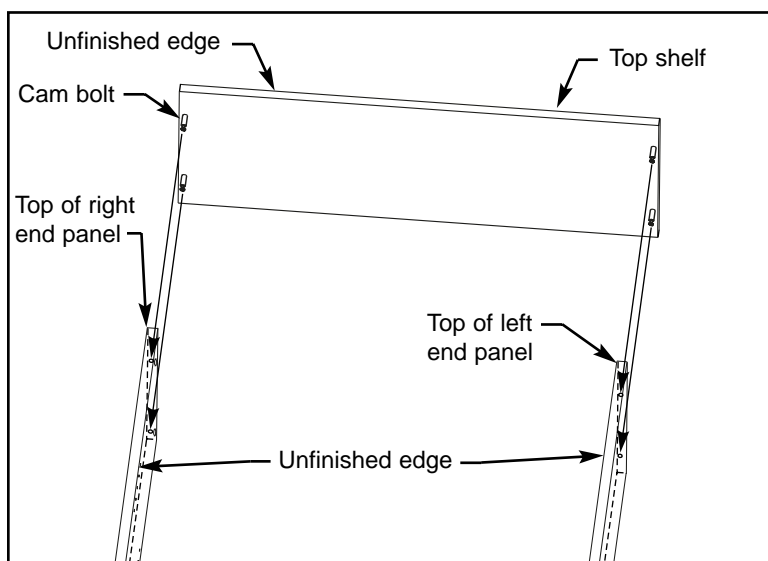
**Illustration 10**



10. Refer to Illustration 10. Lay top shelf, with holes up, on cardboard or a carpeted surface.

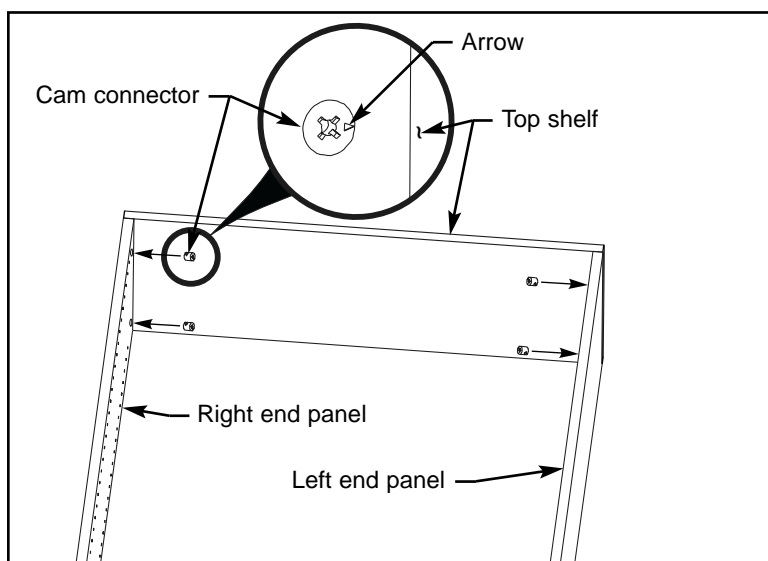
Use the Phillips screwdriver to install cam bolts (from hardware pack) into top shelf at the locations shown. Tighten cam bolts until cam bolt shoulder is flush against surface of top shelf.

**Illustration 11**



11. Refer to Illustration 11. Install top shelf onto right and left end panels by inserting cam bolts, installed in top shelf, into holes along top edge of right and left end panels. Ensure unfinished edge of top shelf matches with the unfinished edge of right and left end panels.

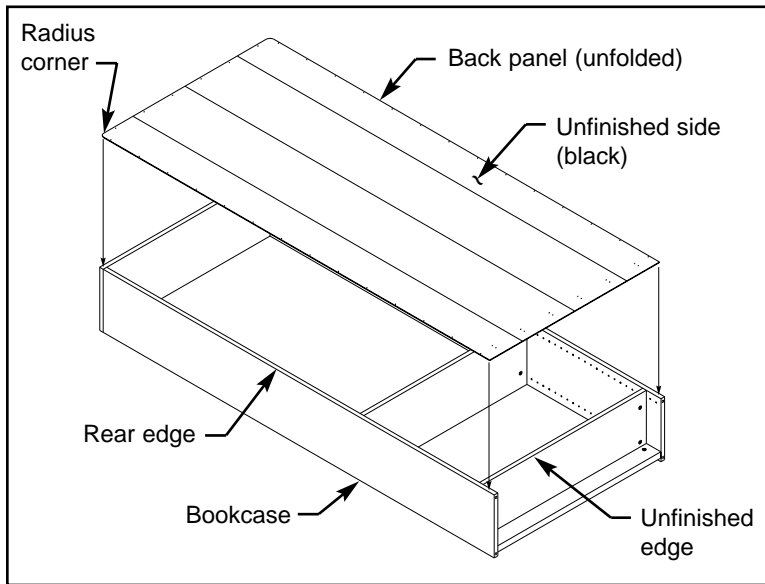
**Illustration 12**



12. Refer to Illustration 12. With arrows facing the top shelf, install cam connectors (from hardware pack) into holes along top edge of right and left end panels. Use the Phillips screwdriver to tighten cam connectors. Turn cam connectors clockwise to tighten.

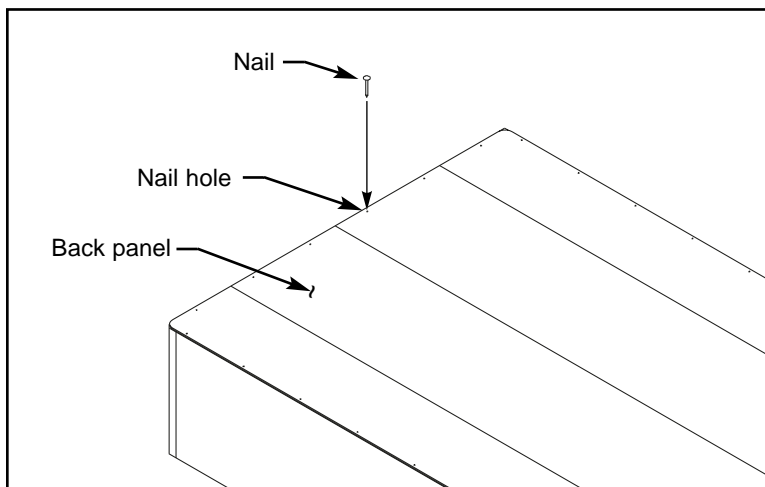
# BOOKCASE

Illustration 13



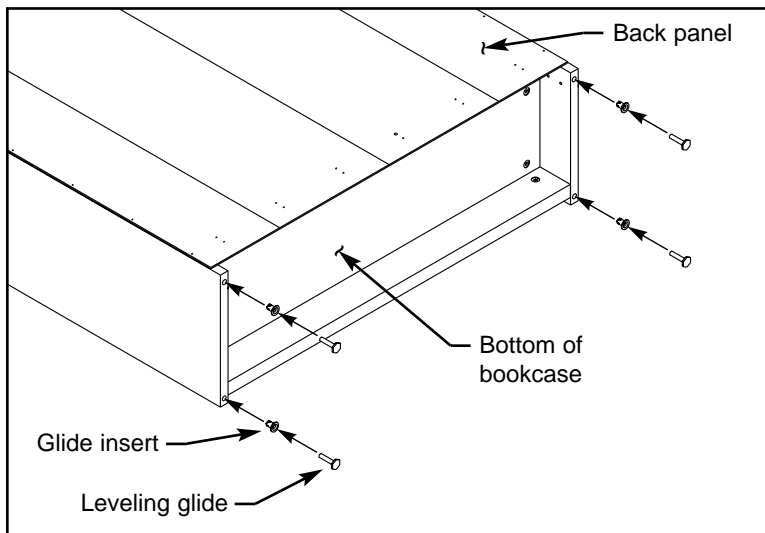
13. Refer to Illustration 13. Position bookcase, on cardboard or carpeted surface, with rear and unfinished edges facing up. Unfold and place back panel onto bookcase. Ensure unfinished (black) side of back panel is facing up and radius corners are aligned with the top corners of bookcase. Align edges of back panel with edges of bookcase.

Illustration 14



14. Refer to Illustration 14. Locate nail holes along each edge of back panel. Use the hammer to install nails (from hardware pack) into each nail hole in back panel.

Illustration 15



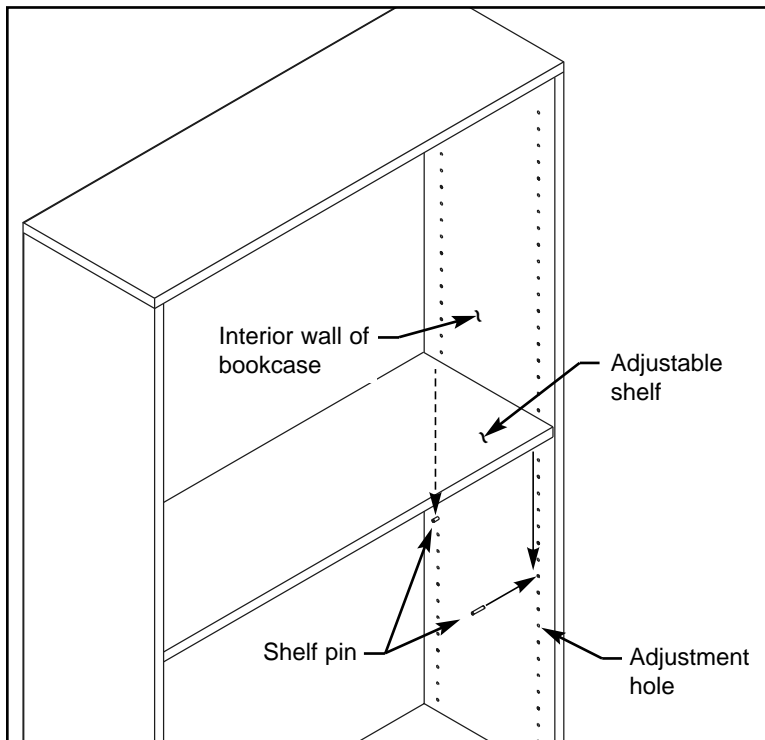
15. Refer to Illustration 15. Locate holes on bottom edge of left and right end panel. Use the hammer to install glide inserts (from hardware pack) into each hole. Thread leveling glides (from hardware pack) into each glide insert by turning leveling glides clockwise until leveling glides are flat against end panels.

After leveling glides are fully installed, use two or more people to set bookcase upright and position bookcase where it will be used.

Adjust leveling glides until bookcase is level from side-to-side and the front of bookcase is  $\frac{1}{8}$ " higher than the rear.

# BOOKCASE

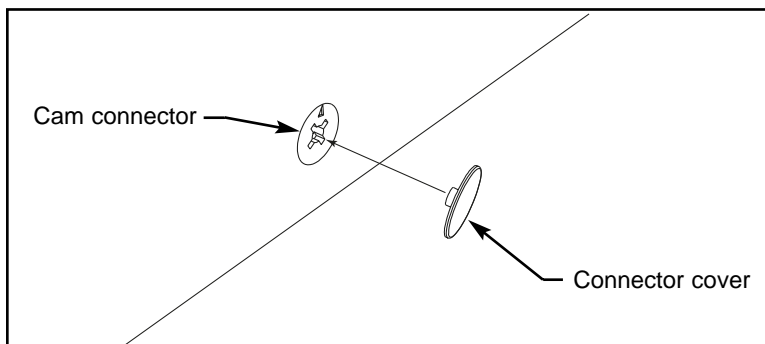
Illustration 16



16. Refer to Illustration 16. Locate shelf adjustment holes in interior walls of bookcase. Install shelf pins (from hardware pack), at the desired shelf location, into shelf adjustment holes. Install four pins for each adjustable shelf and ensure pins are installed at the same height.

With holes down, position adjustable shelves onto shelf pins. Ensure shelf pins are seated into holes in bottom of adjustable shelves.

Illustration 17



17. Refer to Illustration 17. Install connector covers (from hardware pack) onto exposed cam connectors as shown.