

# SmartWorx™ Companion File Cart

Vertiflex  
Products™

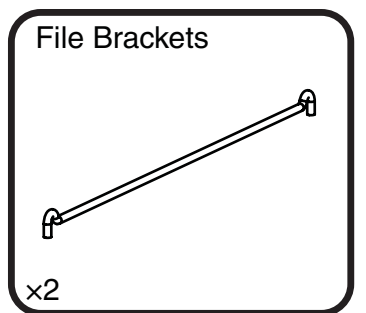
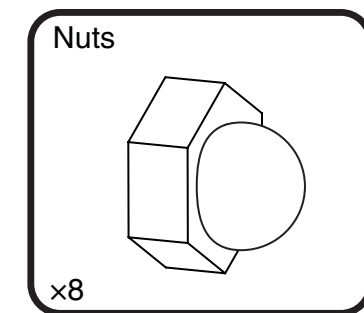
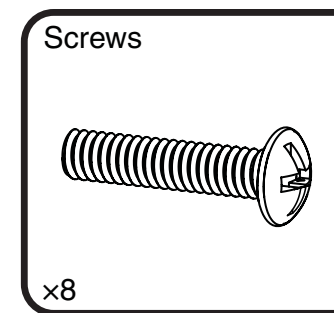
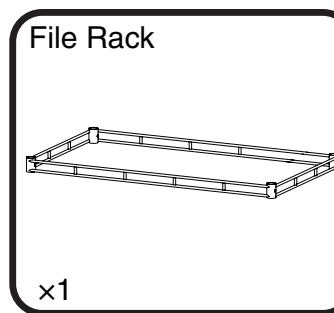
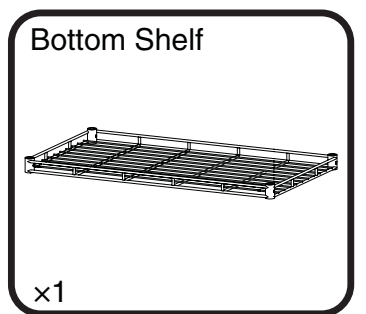
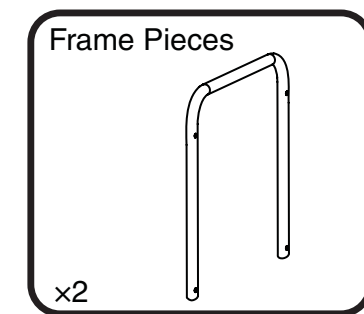
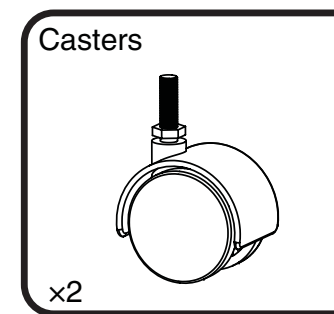
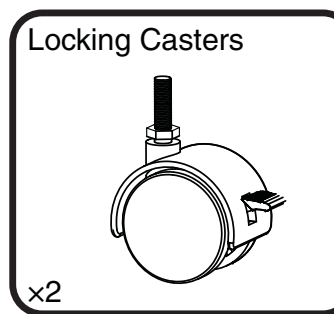
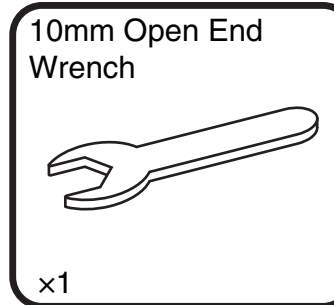
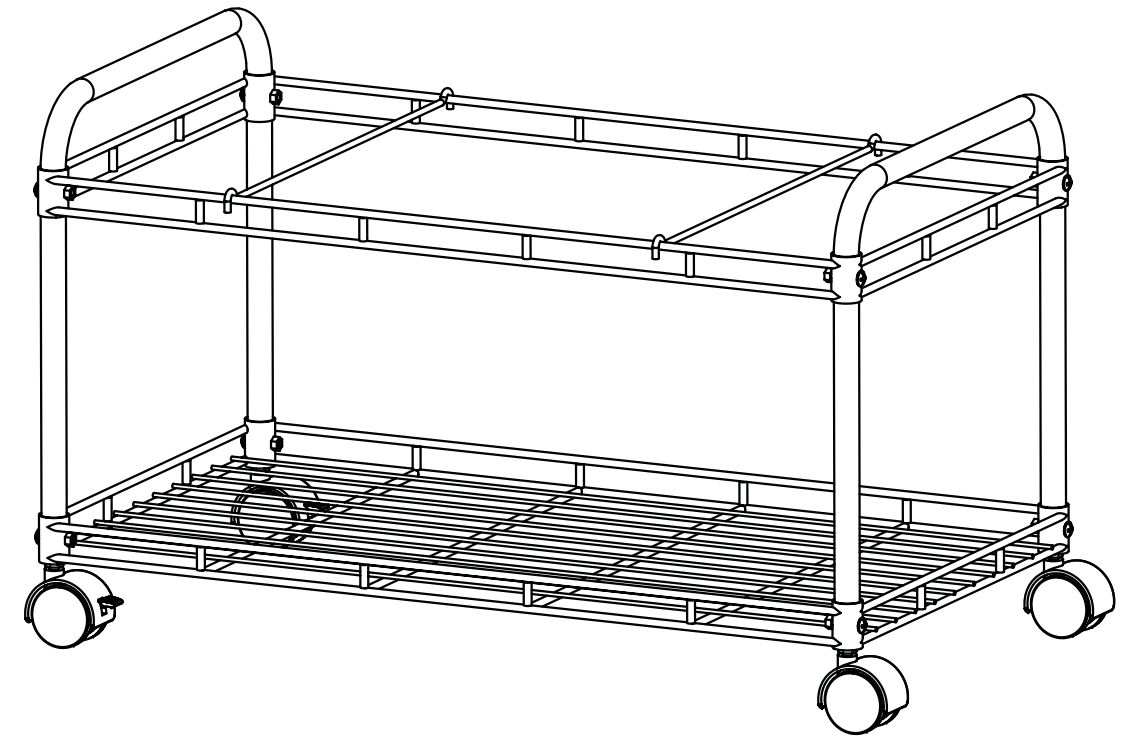
VF52006

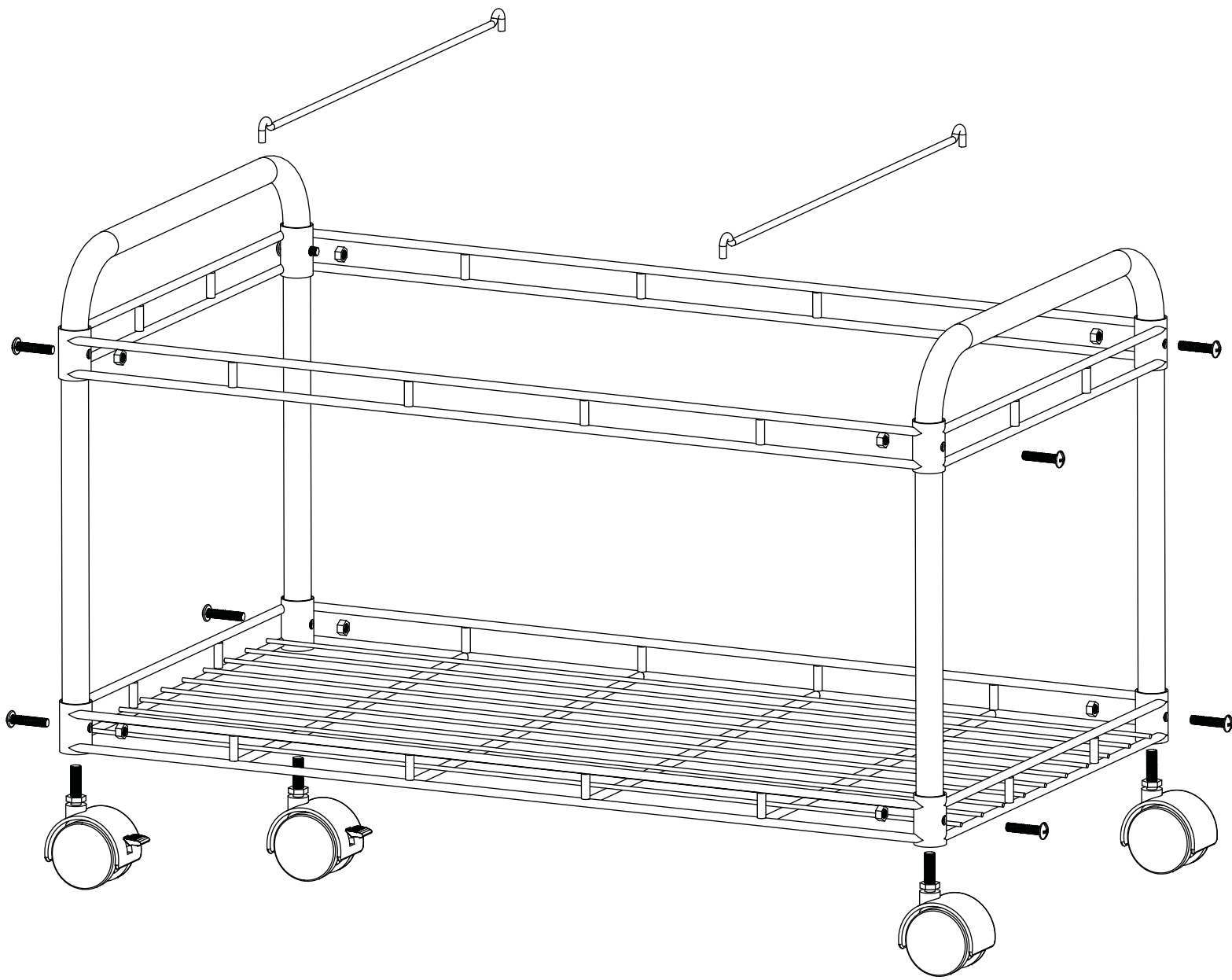
Assembly Instructions

[www.advantus.com](http://www.advantus.com)

904.482.0091

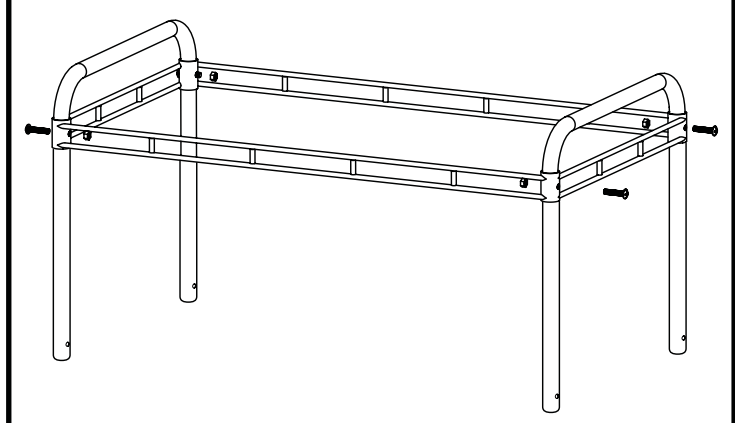
Tools Required:  
Phillips Head Screwdriver





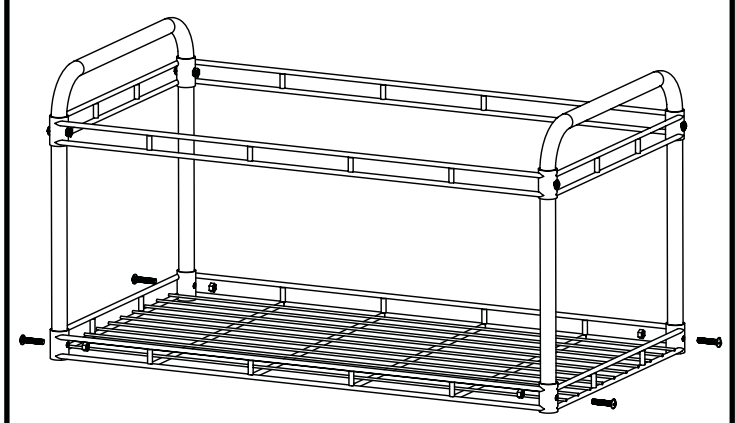
**1 Attach File Rack**

Slide file rack onto frame (as pictured). Insert screw into predrilled hole on either side of frame. Tighten with nut. Repeat on other frame piece. Do not over tighten.



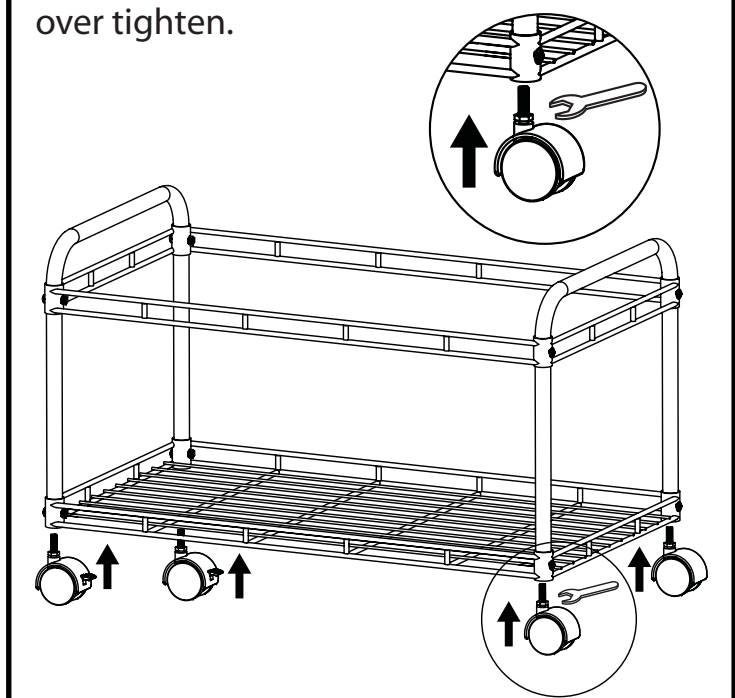
**2 Attach Bottom Shelf**

Slide shelf onto frame. Insert screw into predrilled hole on either side of frame. Tighten with nut. Repeat on each corner. Do not over tighten.



**3 Attach Casters to Each Leg of Frame (2x)**

Screw the threaded caster into to threaded hole in the bottom of each leg of the frame. Repeat with second frame piece. Do not over tighten.



**4 Attach File Brackets as desired.**

