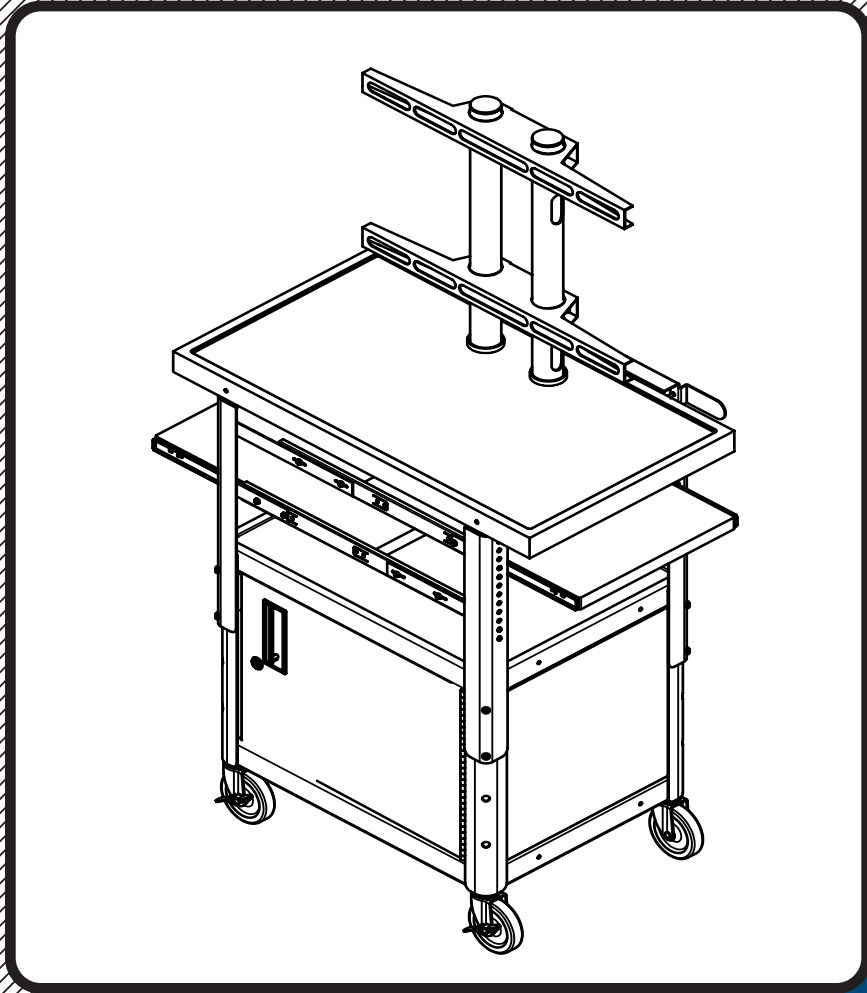




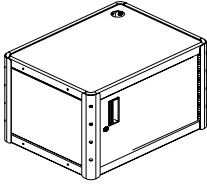


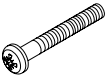
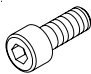
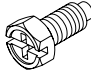
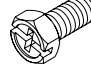










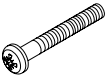
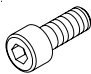
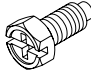
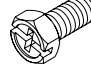










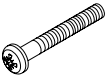
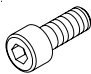
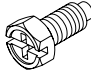
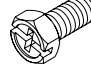








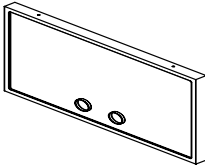
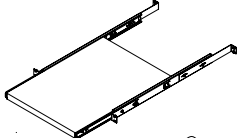
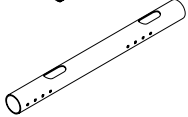
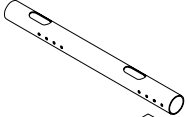
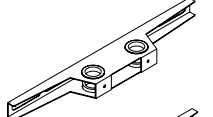
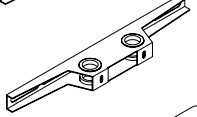
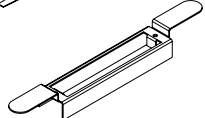
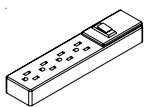
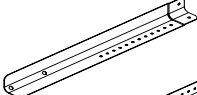
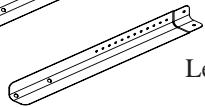
BLT-27530 Adj Ht LCD TV Cart

with 2 Pull-out Shelves & Locking Cabinet



Assembly Instructions

BLT-27530 Adjustable Ht LCD Cart

Part	Drawing	Description	Qty	Part	Drawing	Description	Qty																																																								
P1		Base Cabinet IN BOX 1	1 EA	<h3 style="text-align: center;">Hardware List</h3> <table style="width: 100%; border-collapse: collapse;"> <tr> <td style="width: 5%;">I-1</td> <td style="width: 10%;"></td> <td style="width: 75%;">Screw M6X12mm Pan Hd</td> <td style="width: 10%;">8 EA</td> </tr> <tr> <td>J-1</td> <td></td> <td>Screw M3.5X12mm CS</td> <td>16 EA</td> </tr> <tr> <td>E-1</td> <td></td> <td>Screw M5X45mm Pan Hd</td> <td>2 EA</td> </tr> <tr> <td>A-3</td> <td></td> <td>Screw M8X20mm SocketHd Installed in P-4 and P-5</td> <td>2 EA</td> </tr> <tr> <td>A-4</td> <td></td> <td>Screw M8X25mm Dog Point Installed in P-6</td> <td>2 EA</td> </tr> <tr> <td>A-5</td> <td></td> <td>Screw M8X25mm Cone Point Installed in P-7</td> <td>2 EA</td> </tr> <tr> <td>I-2</td> <td></td> <td>Hex nut M6</td> <td>8 EA</td> </tr> <tr> <td>J-2</td> <td></td> <td>Hex nut M3.5</td> <td>16 EA</td> </tr> <tr> <td>E-2</td> <td></td> <td>Hex nut M5 w/Flange</td> <td>2 EA</td> </tr> <tr> <td>I-3</td> <td></td> <td>Lock Washer Ext Tooth</td> <td>8 EA</td> </tr> <tr> <td>D</td> <td></td> <td>4" Locking Caster</td> <td>2 EA</td> </tr> <tr> <td>F</td> <td></td> <td>4" Caster</td> <td>2 EA</td> </tr> <tr> <td>K-1</td> <td></td> <td>Screw M6 X 18mm</td> <td>8 EA</td> </tr> <tr> <td>K-2</td> <td></td> <td>Hex Nut M6 w/Flange</td> <td>8 EA</td> </tr> </table>				I-1		Screw M6X12mm Pan Hd	8 EA	J-1		Screw M3.5X12mm CS	16 EA	E-1		Screw M5X45mm Pan Hd	2 EA	A-3		Screw M8X20mm SocketHd Installed in P-4 and P-5	2 EA	A-4		Screw M8X25mm Dog Point Installed in P-6	2 EA	A-5		Screw M8X25mm Cone Point Installed in P-7	2 EA	I-2		Hex nut M6	8 EA	J-2		Hex nut M3.5	16 EA	E-2		Hex nut M5 w/Flange	2 EA	I-3		Lock Washer Ext Tooth	8 EA	D		4" Locking Caster	2 EA	F		4" Caster	2 EA	K-1		Screw M6 X 18mm	8 EA	K-2		Hex Nut M6 w/Flange	8 EA
I-1		Screw M6X12mm Pan Hd	8 EA																																																												
J-1		Screw M3.5X12mm CS	16 EA																																																												
E-1		Screw M5X45mm Pan Hd	2 EA																																																												
A-3		Screw M8X20mm SocketHd Installed in P-4 and P-5	2 EA																																																												
A-4		Screw M8X25mm Dog Point Installed in P-6	2 EA																																																												
A-5		Screw M8X25mm Cone Point Installed in P-7	2 EA																																																												
I-2		Hex nut M6	8 EA																																																												
J-2		Hex nut M3.5	16 EA																																																												
E-2		Hex nut M5 w/Flange	2 EA																																																												
I-3		Lock Washer Ext Tooth	8 EA																																																												
D		4" Locking Caster	2 EA																																																												
F		4" Caster	2 EA																																																												
K-1		Screw M6 X 18mm	8 EA																																																												
K-2		Hex Nut M6 w/Flange	8 EA																																																												
P2		Top Shelf IN BOX 2	1 EA																																																												
P3		Pull-out Shelf IN BOX 2	2 EA																																																												
P4		Left Support Tubes IN BOX 2	1 EA																																																												
P5		Right Support Tubes IN BOX 2	1 EA																																																												
P6		LCD Bracket Top IN BOX 2	1 EA																																																												
P7		LCD Bracket Bottom w/Verticle Slots IN BOX 2	1 EA																																																												
P8		Cord Winder IN BOX 1	1 EA																																																												
P9		Electrical Outlet IN BOX 1	1 EA																																																												
P10		Right Top Support IN BOX 2	2 EA																																																												
P11		Left Top Support IN BOX 2	2 EA																																																												

Do not use unless all screws are tight. At least every six months, check all screws to be sure they are tight. If parts are missing, broken, damaged, or worn, stop use of the product until repairs are made by your dealer using factory authorized parts.

BLT-27530 Adjustable Ht LCD Cart Assembly Diagram



READ THROUGH INSTRUCTIONS FROM BEGINNING TO END BEFORE STARTING TO ASSEMBLE UNIT.

Identify and Separate all the Parts and Hardware.

- 1.) Attach two Right Top Supports (P-10) and two Left Top Supports (P-11) to Top Shelf (P-2) using 8 screws (K-1) and 8 nuts (K-2). Make sure the Right and Left Top Support's holes are the same direction as Illustration # 1.

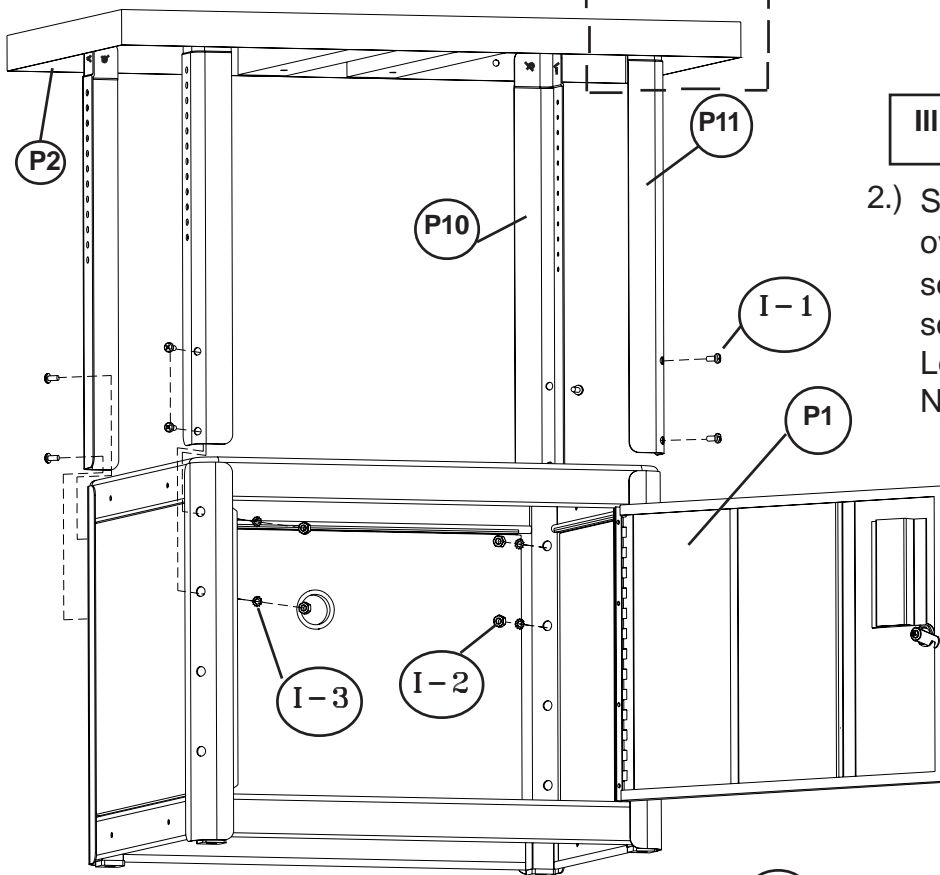
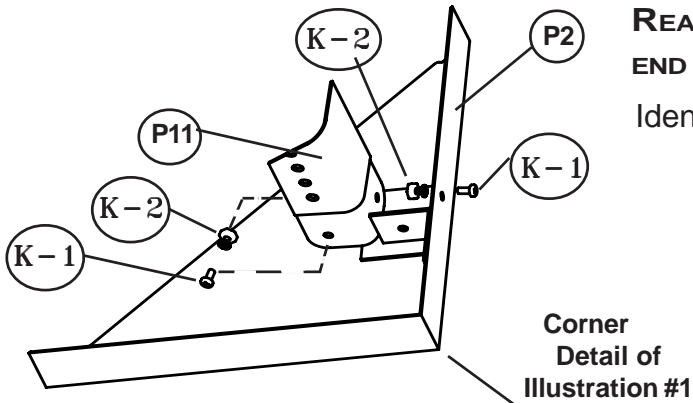
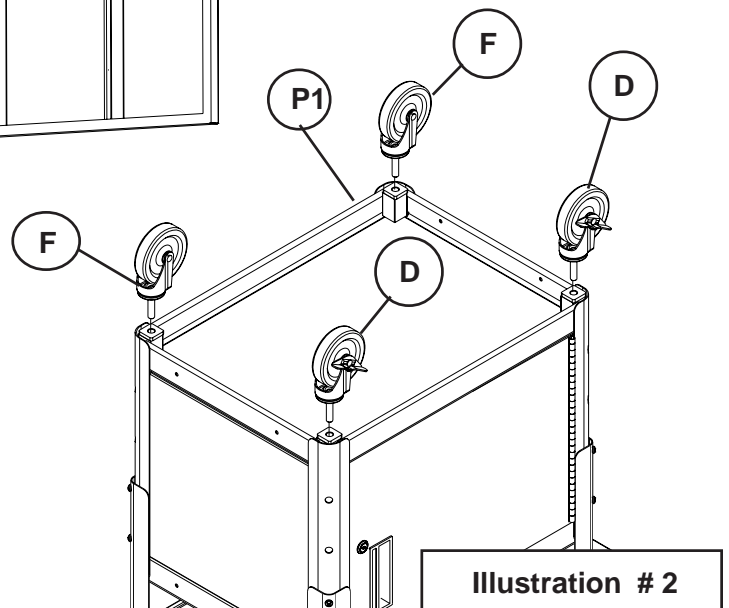


Illustration # 1

- 2.) Slide Top Shelf (P-2) assembly over the Base Cabinet (P-1) and secure at desired height using 8 screws (I-1), 8 External Tooth Lock Washers (I-3), and 8 Hex Nuts (I-2).

- 3.) Press 2 Locking Casters (D) and 2 non-locking casters (F) into the factory installed nylon inserts in the Base Cabinet (P-1) as shown in illustration #2.



4.) Remove Screws (A-3) from bottom of Left and Right Support Tubes (P-4 & P-5). Insert the tubes into the Top Shelf (P-2) and attach with the two Screws (A-3) removed earlier as shown in Illustration # 3.

5.) Attach Cord Winder (P-8) and Electrical Strip (P-9) to Top Shelf (P-2), or Base Cabinet (P-1) using 2 screws (E-1) and 2 Hex Nuts M5 w/Flange (E-2).

6.) Tighten all screws using Phillip's head screwdriver and Wrench (Not Provided).

Illustration # 3

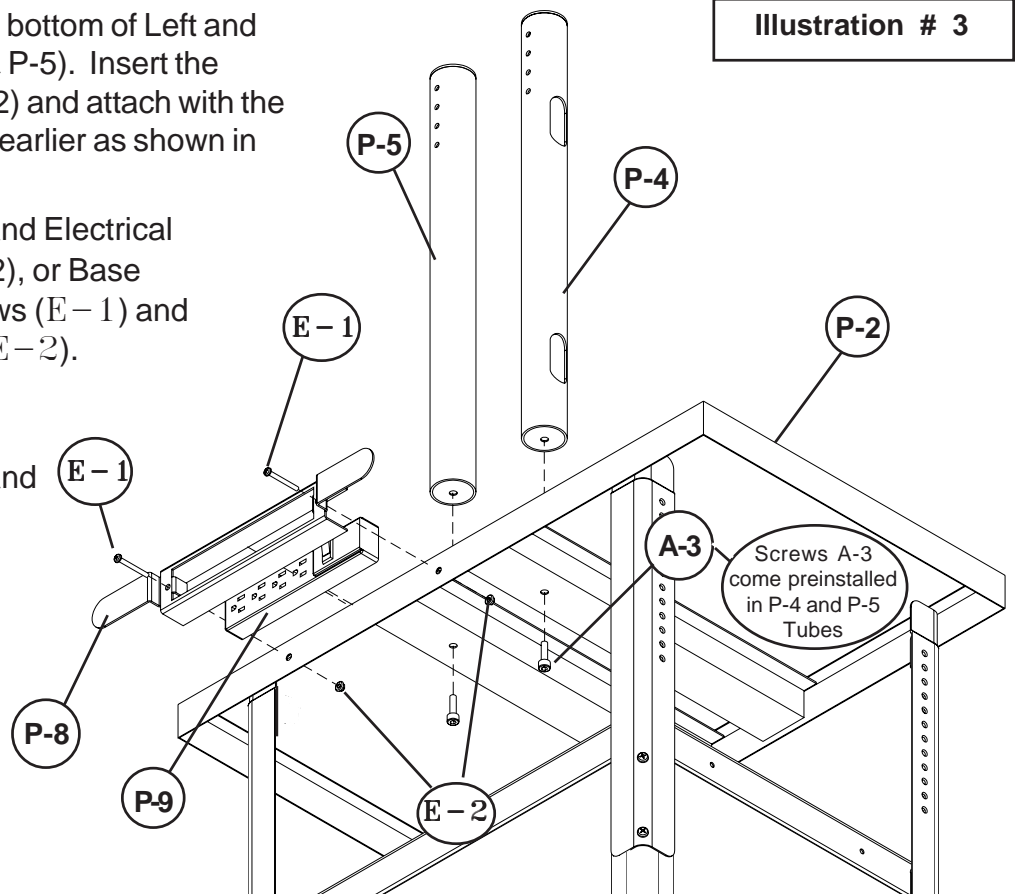
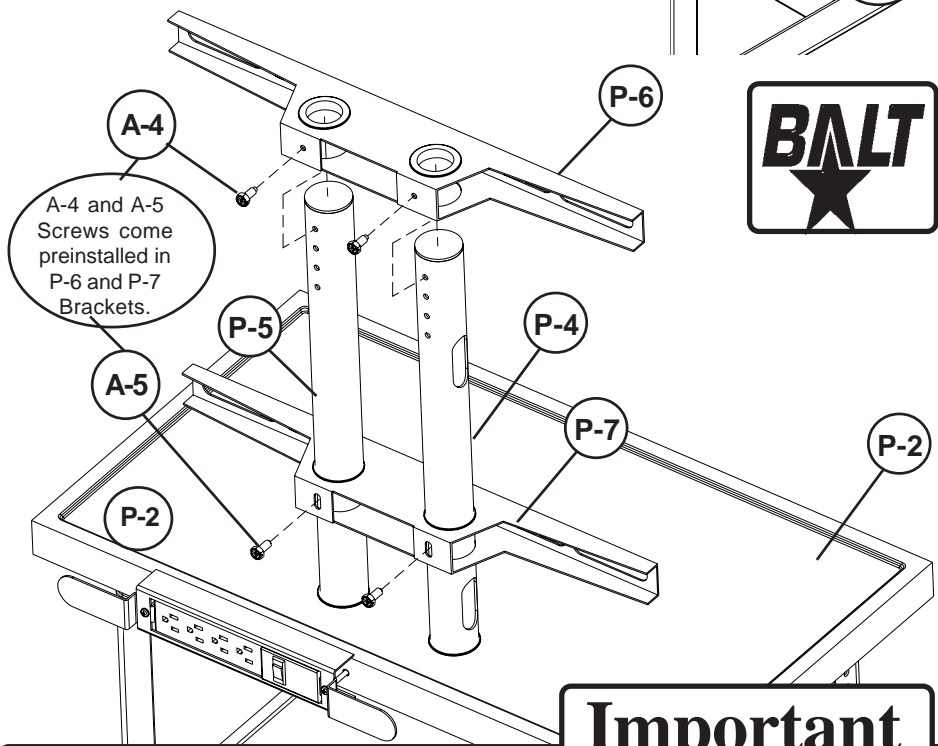


Illustration # 4



7.) Loosen installed Screws A-4 and A-5 from LCD Brackets P-6 and P-7. Attach Bottom LCD Bracket (P-7) to Left and Right Support Tubes (P-4 & P-5) at desired height using 2 Screws (A-5).

8.) Attach Top LCD Bracket (P-6) to Left and Right Support Tubes (P-4 & P-5) at desired height using 2 Screws (A-4) as shown in Illustration # 4.

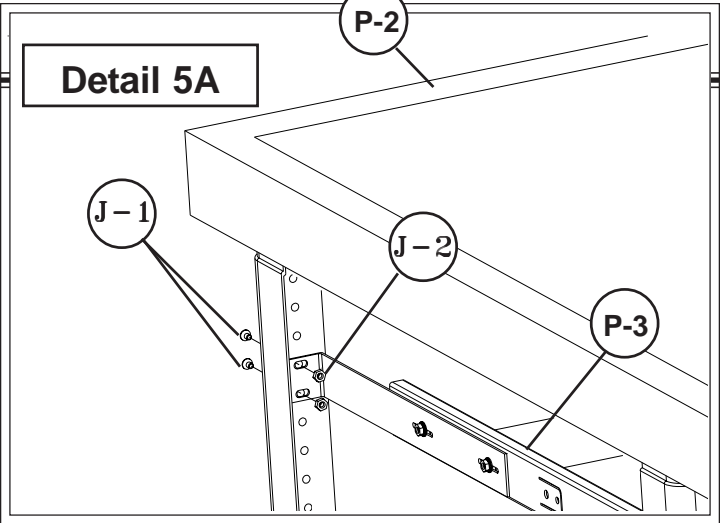
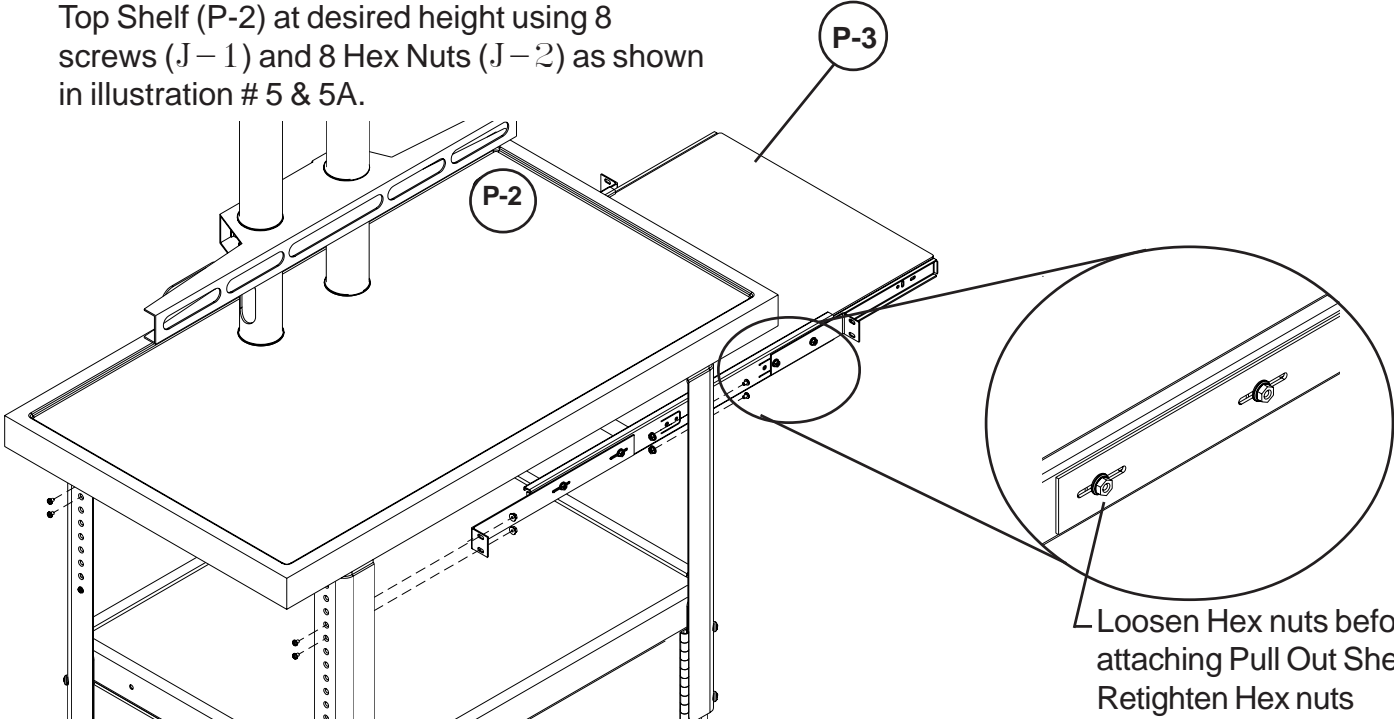
Important

The Balt product you have purchased is guaranteed against material and workmanship defects. This guarantee extends 1 year from date of purchase. Should this product fail to function satisfactorily under normal use due to defect or imperfection, the defective part or product will be replaced. Damage caused by common carriers during shipment is not included in this guarantee.

This guarantee sets forth all applicable guarantees and remedies. No other warranty, expressed or implied shall apply. Failure to follow instructions found in Important Information Section of Owner Sheet shall void the guarantee. Consequential or incidental damages and or costs are not refundable.

Illustration # 5

9.) Tilt 1 Pullout Shelf (P-3) and slide in from the Right Side of cart. Attach Pullout Shelf (P-3) to Top Shelf (P-2) at desired height using 8 screws (J-1) and 8 Hex Nuts (J-2) as shown in illustration # 5 & 5A.



10.) Tilt 1 Pullout Shelf (P-3) and slide in from the Left Side of cart. Attach Pullout Shelf (P-3) to Top Shelf (P-2) at desired height using 8 screws (J-1) and 8 Hex Nuts (J-2) as shown in illustration # 6.

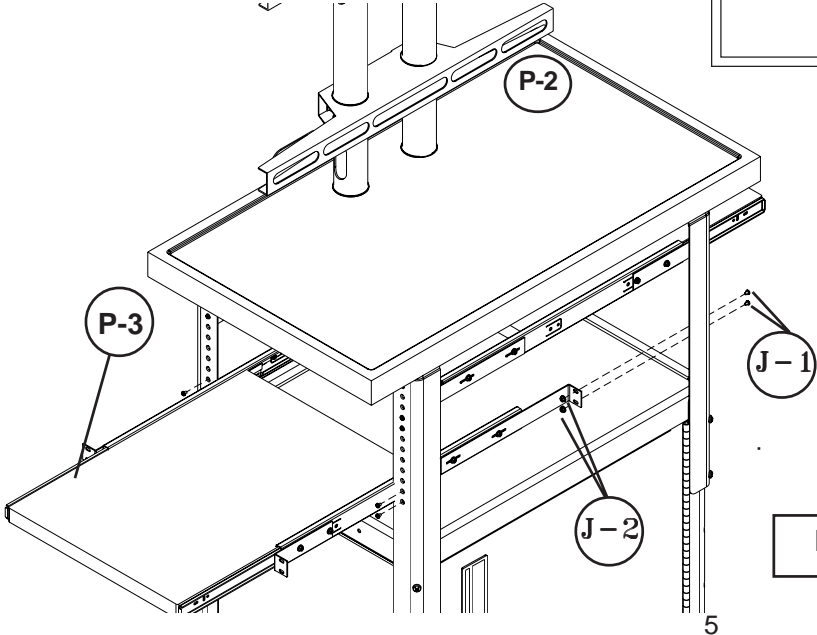


Illustration # 6

Should you require assistance during assembly, please call our Customer Service Department Monday - Friday 8 a.m. - 5 p.m. Central Standard Time 1-800-749-2258

