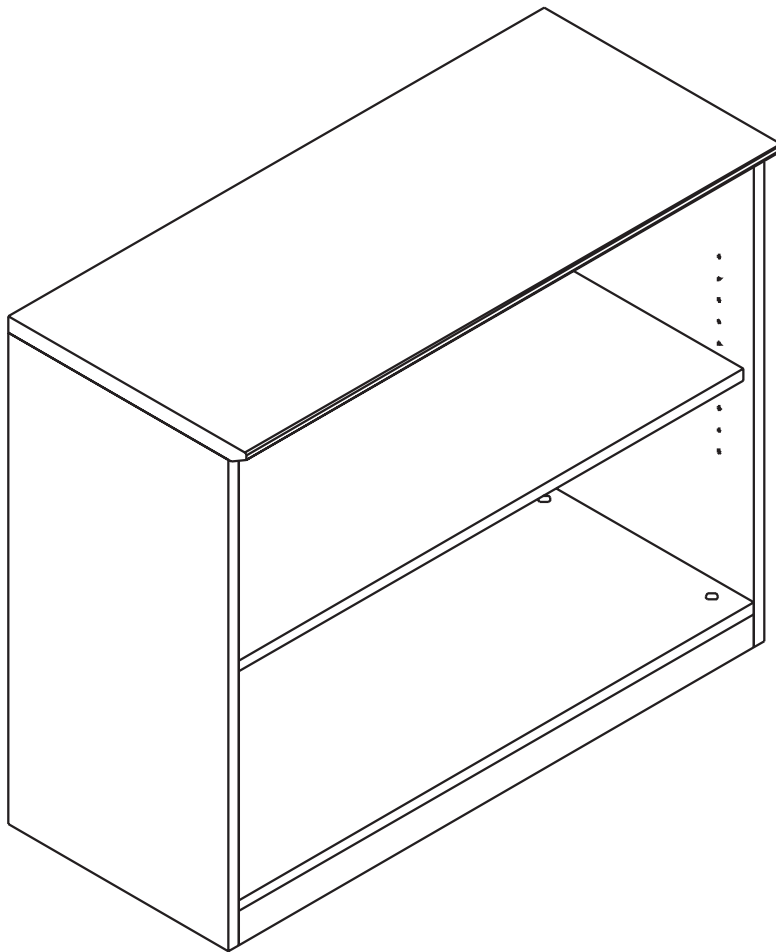




**Tiffany Industries™**  
A MAYLINE GROUP COMPANY

# Model No. VB2

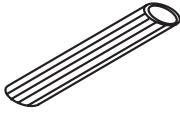


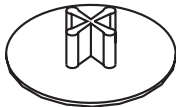
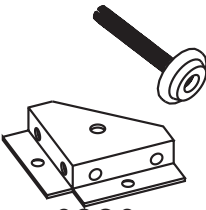




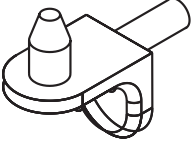
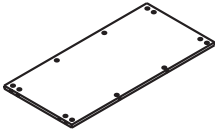

## Bookcase, 2-shelf

**ASSEMBLY INSTRUCTIONS**

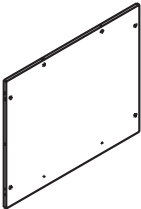
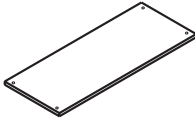
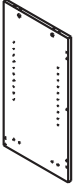
**CALL 1-800-822-8037 FOR ASSISTANCE**

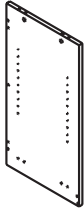
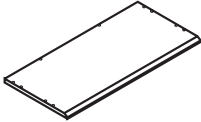
# PARTS LIST

Name	Part	Qty.	Spare Qty
<b>A</b>	 S004	<b>18</b>	<b>1</b>
<b>B</b>	 S003	<b>18</b>	<b>2</b>
<b>C</b>	 S001	<b>18</b>	<b>2</b>
<b>D</b>	 S002	<b>18</b>	<b>2</b>
<b>E</b>	 S008	<b>4</b>	

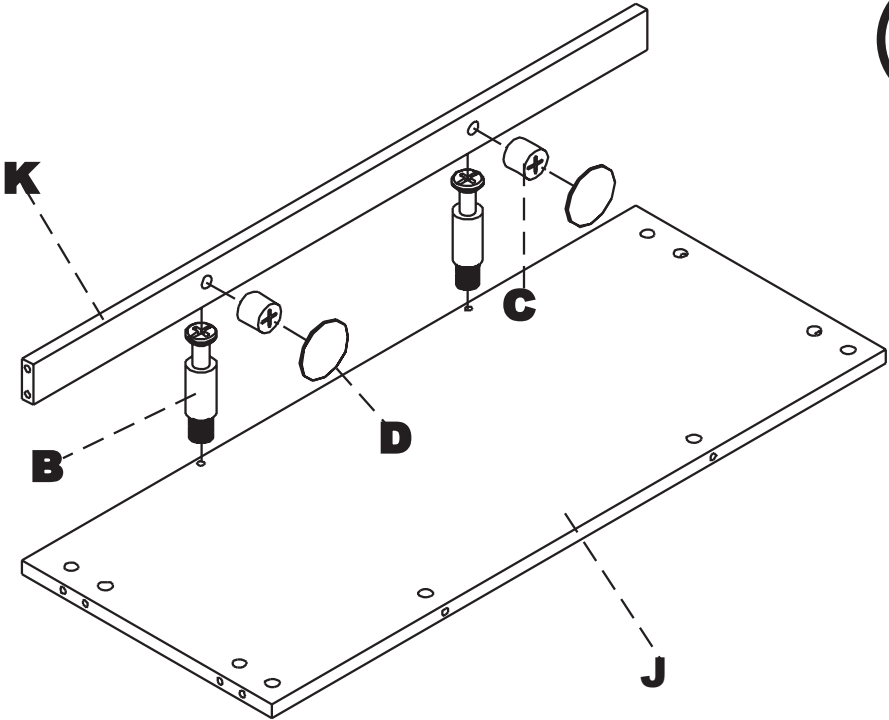
Name	Part	Qty.	Spare Qty
<b>F</b>	 S005	<b>24</b>	<b>2</b>
<b>G</b>	 S006	<b>4</b>	<b>1</b>
<b>H</b>	 S009	<b>4</b>	<b>1</b>
<b>J</b>	 S007	<b>1</b>	
<b>K</b>	 S004	<b>1</b>	

# PARTS LIST

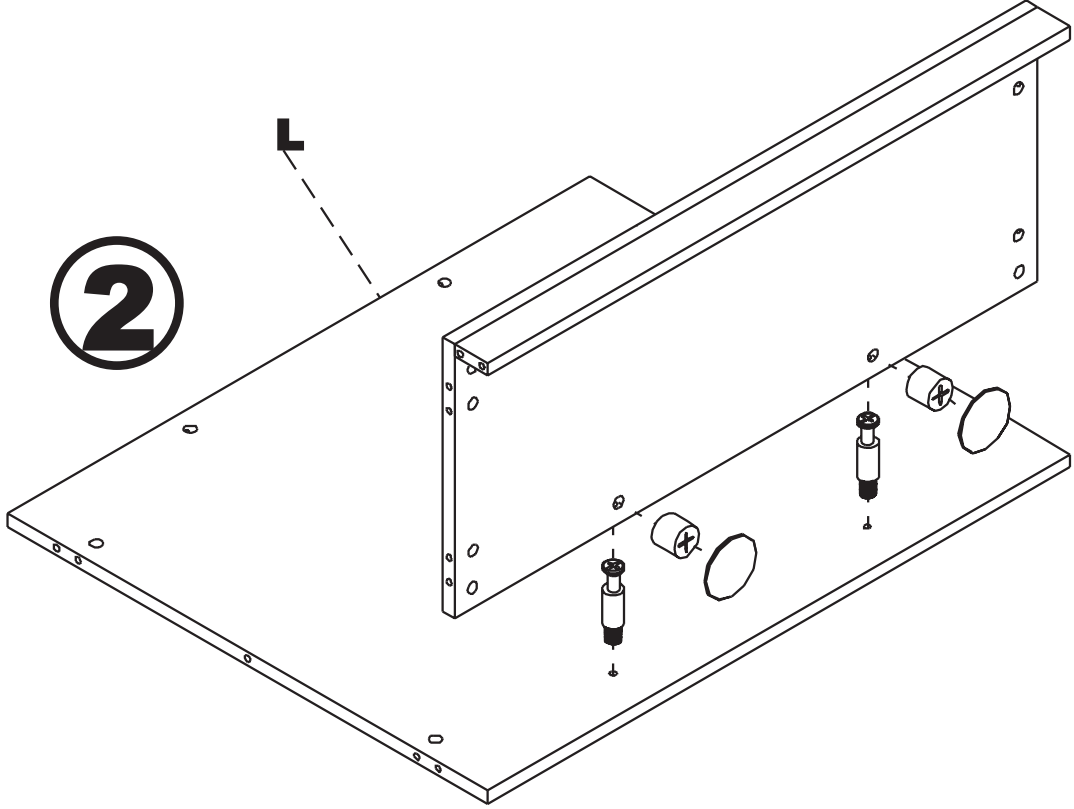
Name	Part	Qty.
<b>L</b>		<b>1</b>
<b>M</b>		<b>1</b>
<b>N1</b>		<b>1</b>

Name	Part	Qty.
<b>N2</b>		<b>1</b>
<b>P</b>		<b>1</b>

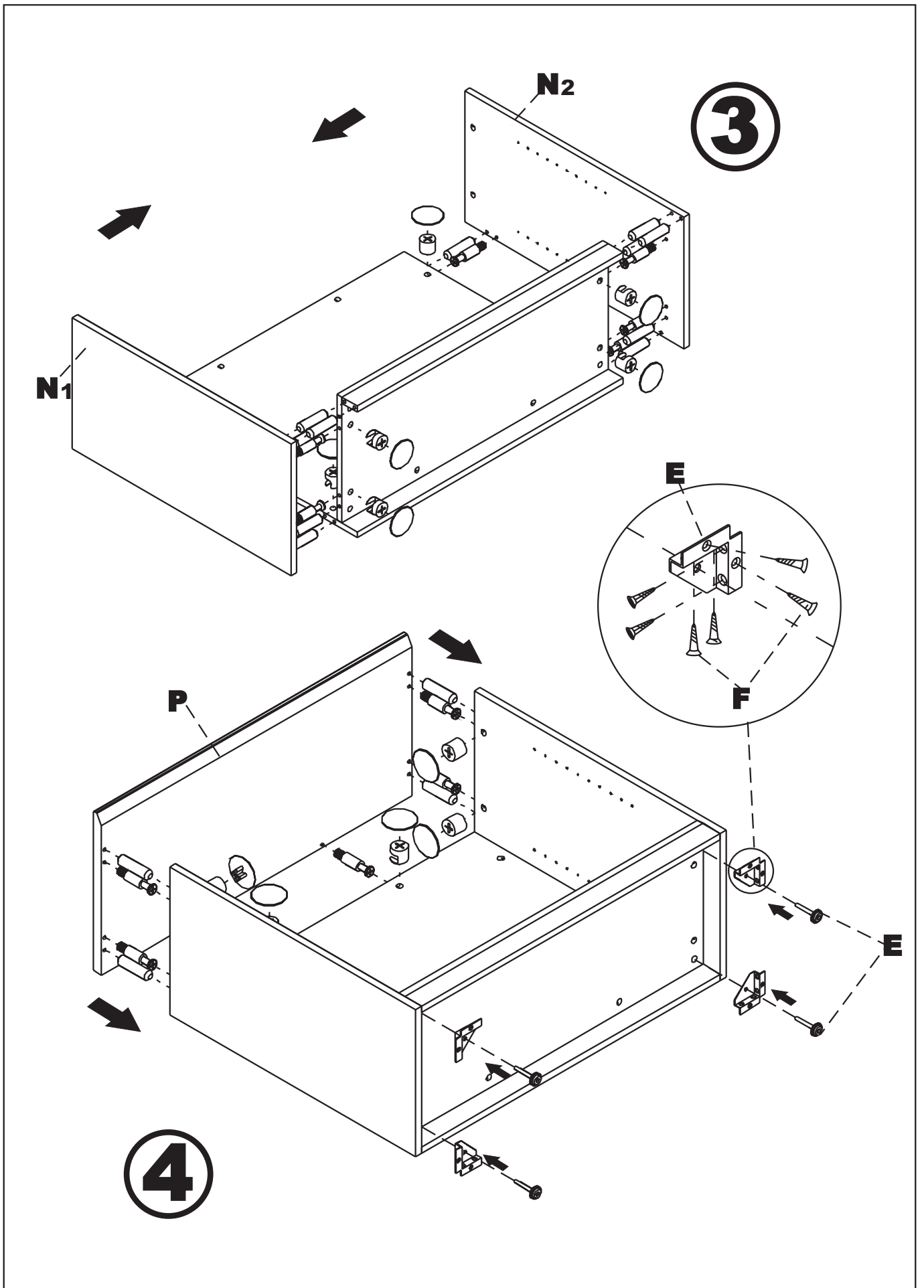
**1**



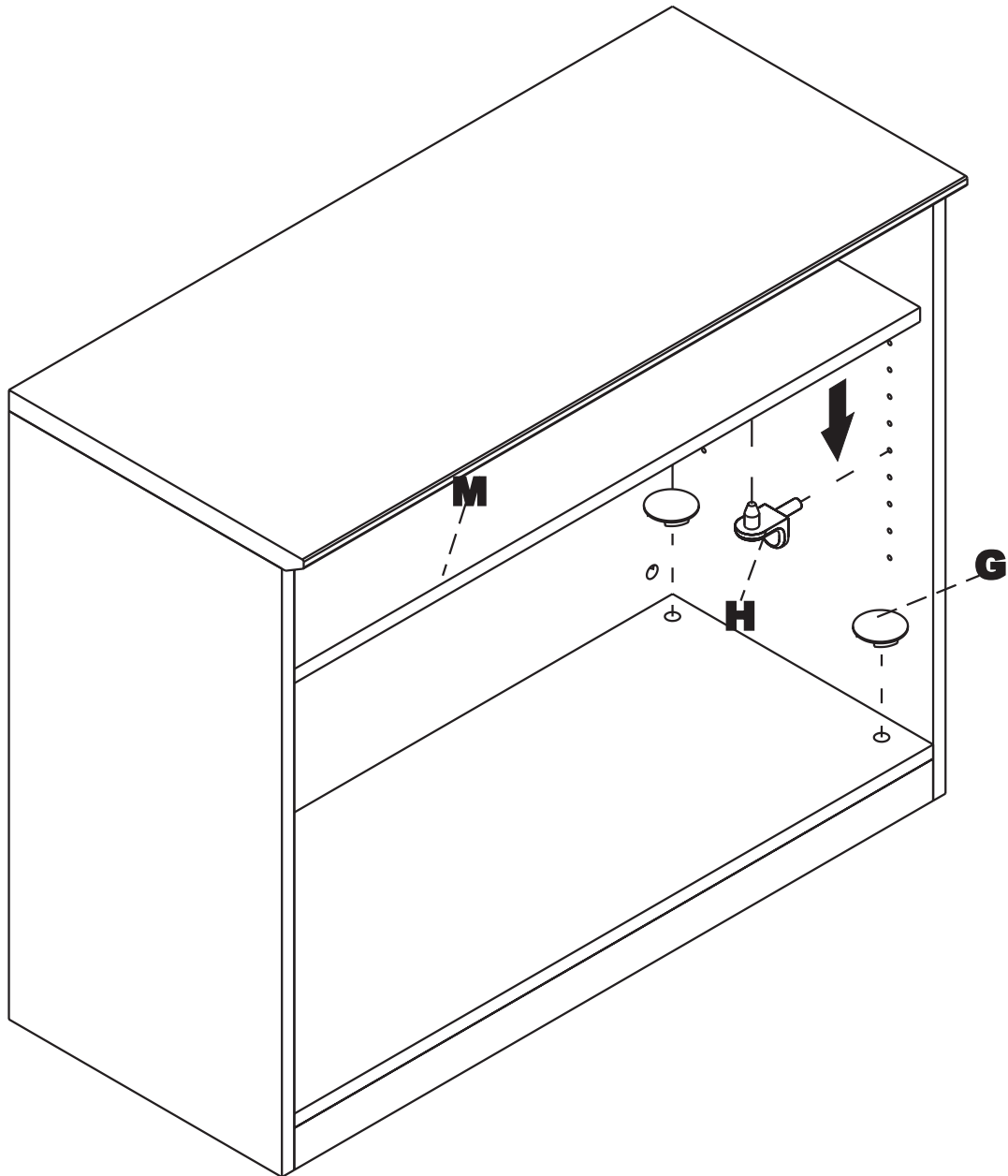
**2**



**3**



**5**



**6**

