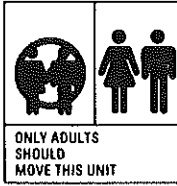


IMPORTANT SAFETY INFORMATION

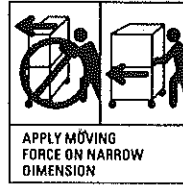


WARNING

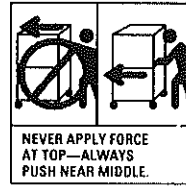
CAN TIP OVER RESULTING IN RISK OF INJURY. DO NOT ALLOW CHILDREN UNDER 16 TO MOVE CART. MOVE CART SLOWLY.



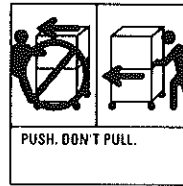
ONLY ADULTS SHOULD MOVE THIS UNIT



APPLY MOVING FORCE ON NARROW DIMENSION

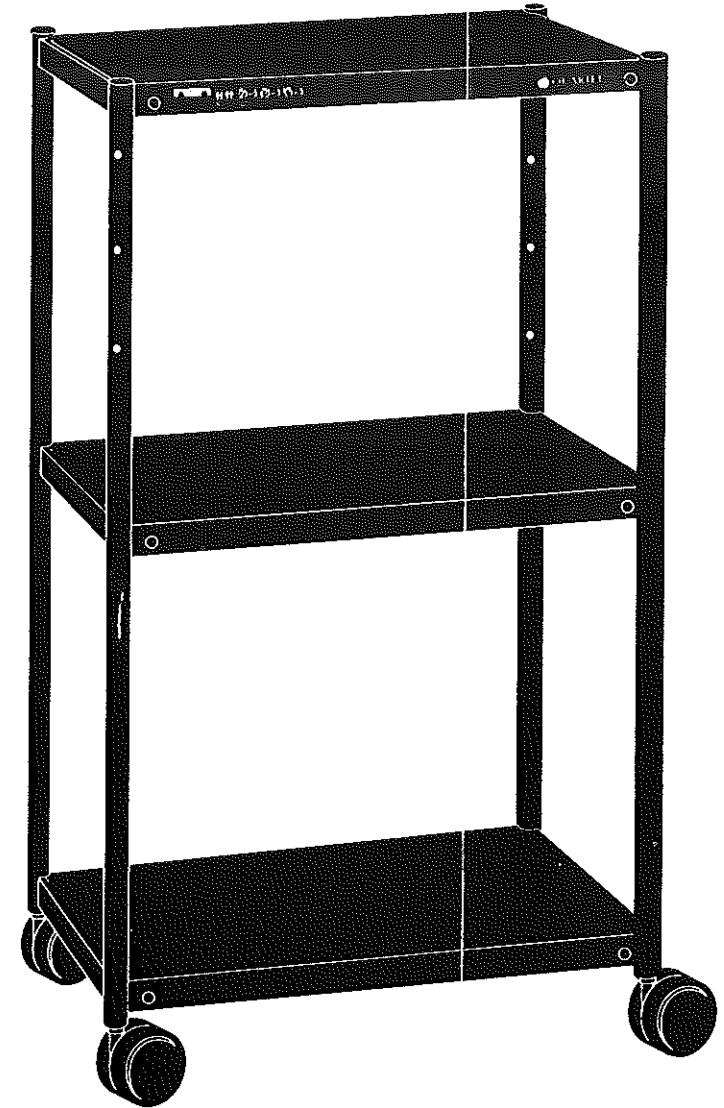


NEVER APPLY FORCE AT TOP—ALWAYS PUSH NEAR MIDDLE.



PUSH. DON'T PULL.

CAUTION THIS TOP SHELF IS INTENDED TO SUPPORT UP TO AND INCLUDING TV VIEWING MONITORS HAVING A DIAGONAL SCREEN SIZE OF **20"** WHOSE DIMENSIONS ALLOW IT TO SIT EVENLY ON THIS SHELF WITH THE FRONT FACE OF THE MONITOR NOT TO EXTEND BEYOND THE FRONT OF THE SHELF. USE WITH ANY OTHER MONITORS MAY RESULT IN INSTABILITY CAUSING POSSIBLE INJURY.



GBC[®]

Office Products Group

**ADJUSTABLE 42" AV CART
MODEL 88242**

QUARTET MANUFACTURING CO., 5700 OLD ORCHARD ROAD, SKOKIE, IL 60077

TEL. (847) 965-0600

UNITED KINGDOM

2 SPRINGLAKES ESTATES, DEADBROOK LANE, ALDERSHOT, HAMPSHIRE GU12 4UH, ENGLAND

TEL. 01252 28512

CANADA

11-B KENVIEW BOULEVARD, BRAMPTON, ONTARIO L6T 5G5

TEL. (905) 790-2133

© 1994

520170

Q - 139



Office Products Group

MODEL 88242

ADJUSTABLE 42" AV CART ASSEMBLY INSTRUCTIONS

NOTE: It is important that these instructions remain with the AV Cart. Circled numbers refer to the specific part and its number on the parts list.

MODEL 88242 PARTS LIST

NOTE: When ordering replacement parts, specify part numbers as well as the AV Cart model number.

- ① Top shelf No. 883421 (1)
- ② Middle shelf No. 883422 (1)
- ③ Bottom shelf No. 883422 (1)
- ④ Adjustable legs No. 883424 (4)
- ⑤ Fixed legs No. 883425 (4)
- ⑥ 3" casters with locking brake No. 500788 (2)
- ⑦ 3" free wheel casters No. 500787 (2)
- ⑧ 3/4" carriage bolts No. 500763 (24)
- ⑨ 7/16" hex locking nuts No. 500764 (24)
- ⑩ 1 7/8" curved head carriage bolts No. 500765 (4)
- ⑪ 7/16" hex cap nuts No. 500330 (4)
- ⑫ 7/16" wrench No. 500781 (1)
- ⑬ 22 1/4" x 16 1/4" rubber mat No. 500766 (1)

Optional AV Cart Accessories

- Safety strap No. 88001
- Cable-locking security system No. 88003
- Accessory pack No. 88005
- 3-outlet electrical strip kit No. 88002
- 2-outlet electrical strip kit No. 88002UK (UK only)

Quartet's mobile Audio-Visual Cart is a solidly constructed, attractively designed unit. Each AV Cart is created to blend in with any decor.

Assembling the AV Cart

1. Locate the bottom shelf ③, and the four fixed legs ⑤. Set the shelf on its side and install the fixed legs by inserting 3/4" carriage bolts ⑧ through the holes in the shelf into the holes in the leg brackets ⑤. Screw on 7/16" hex locking nuts ⑨ and finger tighten (FIG. A).

2. Turn bottom shelf assembly in upright position. Install the middle shelf ② on the fixed leg brackets. Insert 3/4" carriage bolts ⑧ through the holes in the leg brackets and through the holes in the leg brackets. Screw on 7/16" hex locking nuts and finger tighten.

NOTE: Make sure middle and bottom shelves electric strip mounting holes are on the left side and back side of AV Cart.

3. Locate four adjustable legs ④, four 1 7/8" curved head carriage bolts ⑩ and four 7/16" hex cap nuts ⑪.

4. Select the desired holes on the adjustable legs ④ and insert 1 7/8" curved head carriage bolt ⑩ through the adjustable leg hole into the angled hole in the fixed leg. Screw on 7/16" hex cap nut ⑪ and firmly tighten with wrench provided ⑫ (FIG. B).

5. Install top shelf ① on the four adjustable leg brackets ④. Insert 3/4" carriage bolts ⑧ through the shelf holes into the leg brackets. Screw on 7/16" hex locking nut ⑨ and firmly tighten.

NOTE: Make sure top shelf Quartet logo is in front position of AV Cart. Electric strip mounting holes are on left side and back side of top shelf.

6. Carefully lay the AV Cart assembly on its back. Now, firmly tighten all locking nuts on the bottom and middle shelves with the furnished wrench. When tightening, complete opposite corners (left rear, then right front, etc.).

IMPORTANT: Top shelf is adjustable to 4 different heights (42", 38", 34", 30"). To adjust the height, first remove the top shelf, then reposition each adjustable leg, one at a time. Now reattach the top shelf.

Installing the caster assemblies

1. With the AV Cart assembly on its back, align the casters ⑥ and ⑦ stems with the receiver holes in the bottom of leg assembly and insert caster stems. A gentle tap with the palm of the hand should lock casters into position. Make sure all caster stems are completely inserted into receiver holes.

NOTE: Insert casters with locking break ⑥ in the front of AV Cart.

2. Carefully set the AV Cart in upright position.

IMPORTANT:

- If assembled AV Cart is not level, loosen all hex locking nuts, straighten frame and re-tighten all nuts.
- Store wrench for future use

The Audio-Visual Cart is now assembled and ready for use. Leftover parts may be discarded.

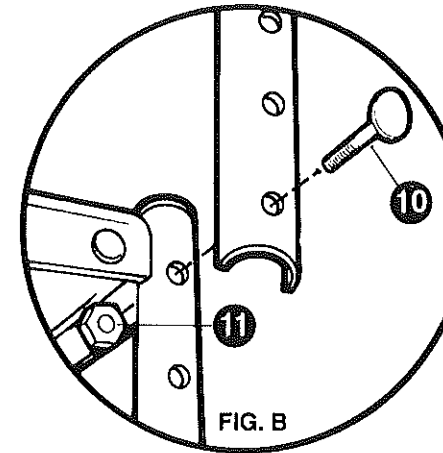


FIG. B

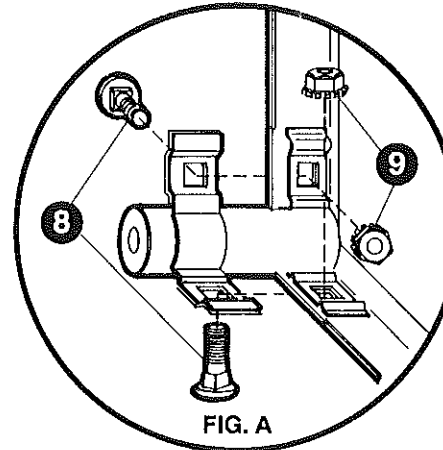
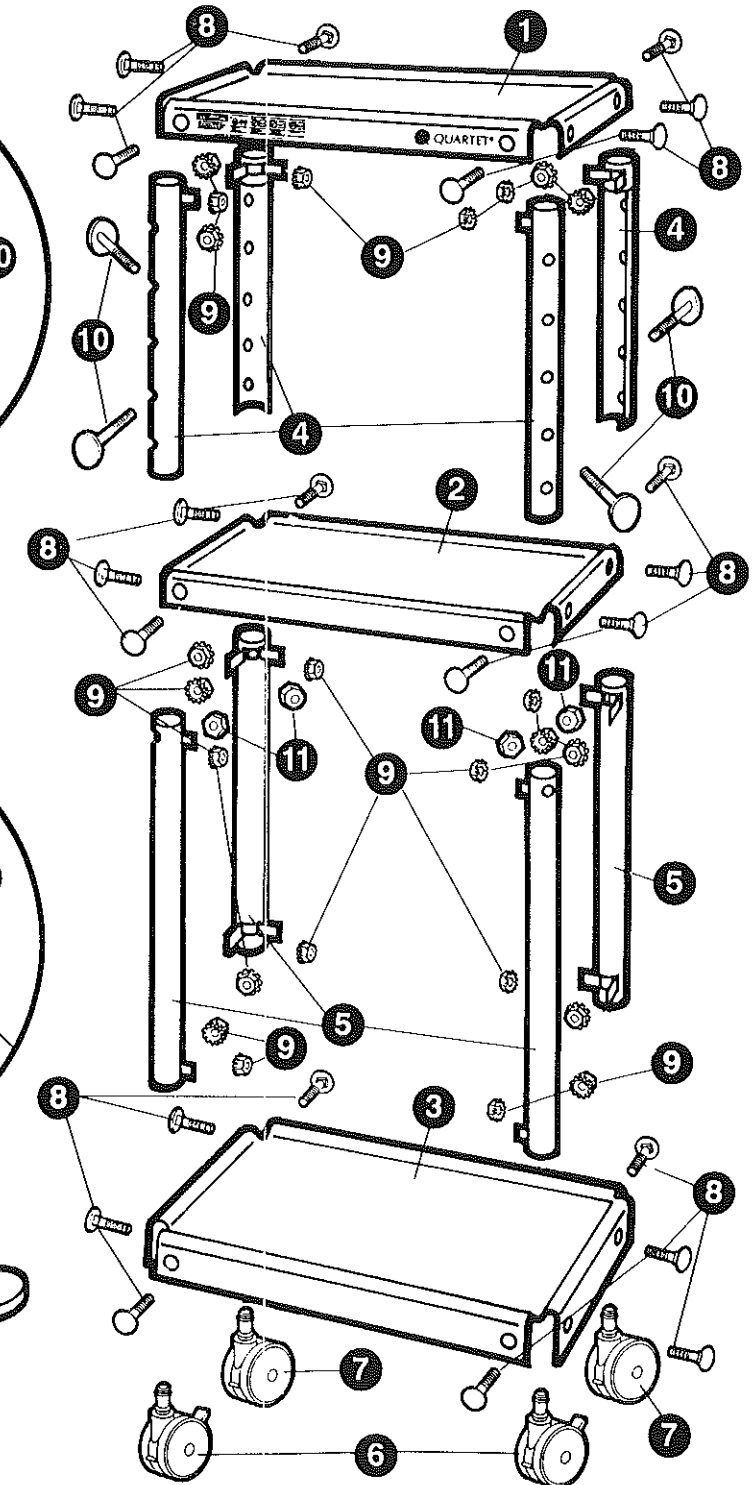
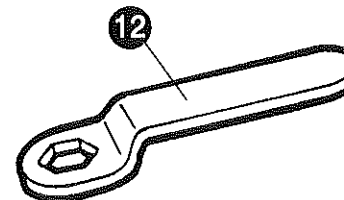


FIG. A



SEE SAFETY LABELS ON BACK PAGE.