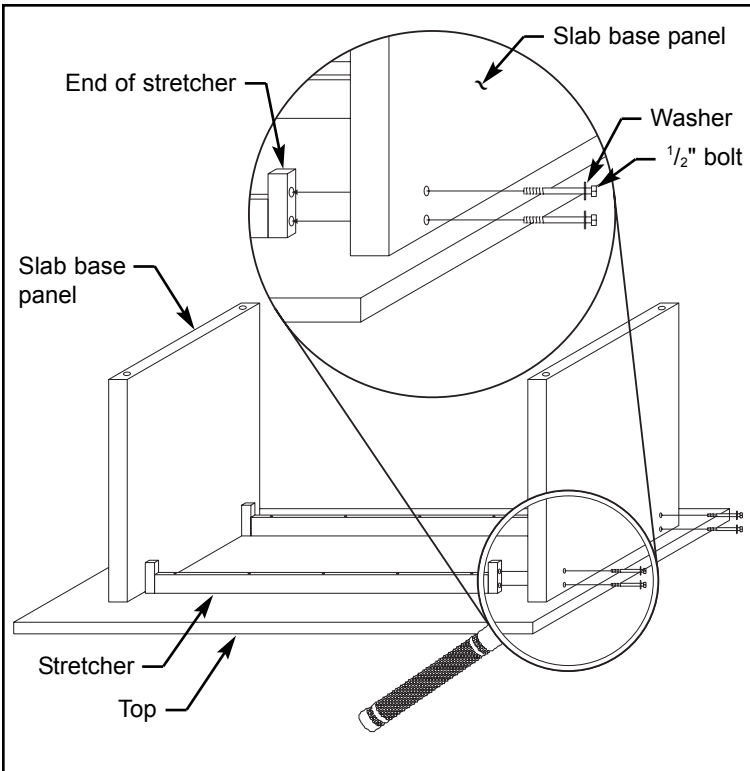


Illustration 1



Read all instructions and review illustrations before installing.

Tools required for assembly:
 Rubber mallet
 24" long level
 3/16" Allen wrench (provided)

This assembly includes:

- (1) Top
- (2) Slab base panels
- (8) 1/2" bolt
- (8) 3/8" washer
- (1) 3/16" Allen wrench
- (4) Glide insert
- (4) Glide

⚠ WARNING

To prevent the possibility of serious eye injury, always wear eye protection when using power tools.

Heavy panels can pinch or crush fingers. Do not place fingers between or under panels during assembly.

Installation:

1. Refer to Illustration 1. Lay top, with stretchers facing up, onto cardboard or a carpeted surface.
2. Refer to Illustration 1. Position base panels against stretchers and align pre-drilled holes in base panel with holes in ends of each stretcher.
3. Refer to Illustration 1. Place a washer (from hardware pack) onto each 1/2" bolt (from hardware pack)

Install a bolt (with washer) through each hole in base panel (four per panel) and into ends of stretcher. Use the 3/16" Allen wrench to fully tighten bolts.

4. Refer to Illustration 2. Thread a glide (from hardware pack) into each glide insert (from hardware pack) by turning glide clockwise until glide is flat against insert.

Locate two holes in bottom of each base panel. Use the rubber mallet to install a glide/glide insert assembly into each hole.

5. Use two or more people to set table upright and to position table where desired.

Adjust glides until table is level from front-to-rear and side-to-side. Use the 24" long level to verify table is level.

Illustration 2

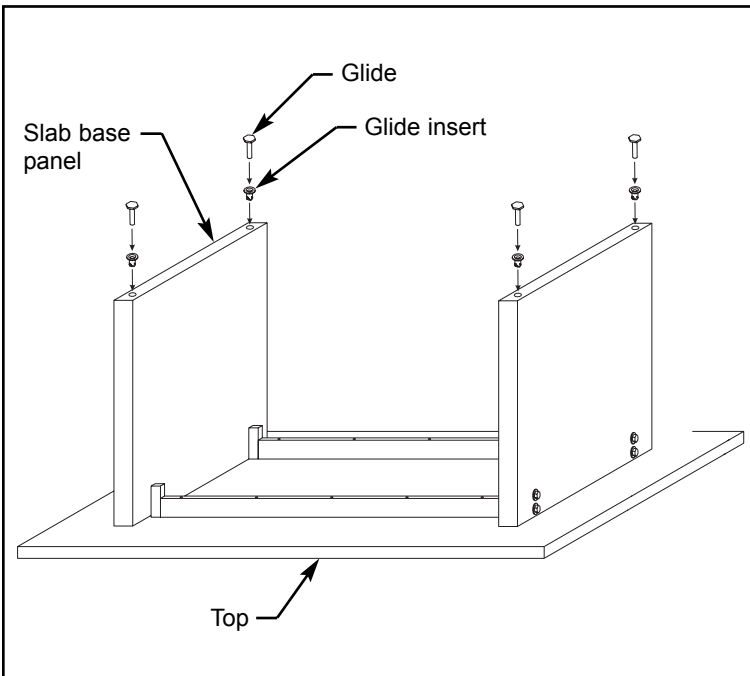
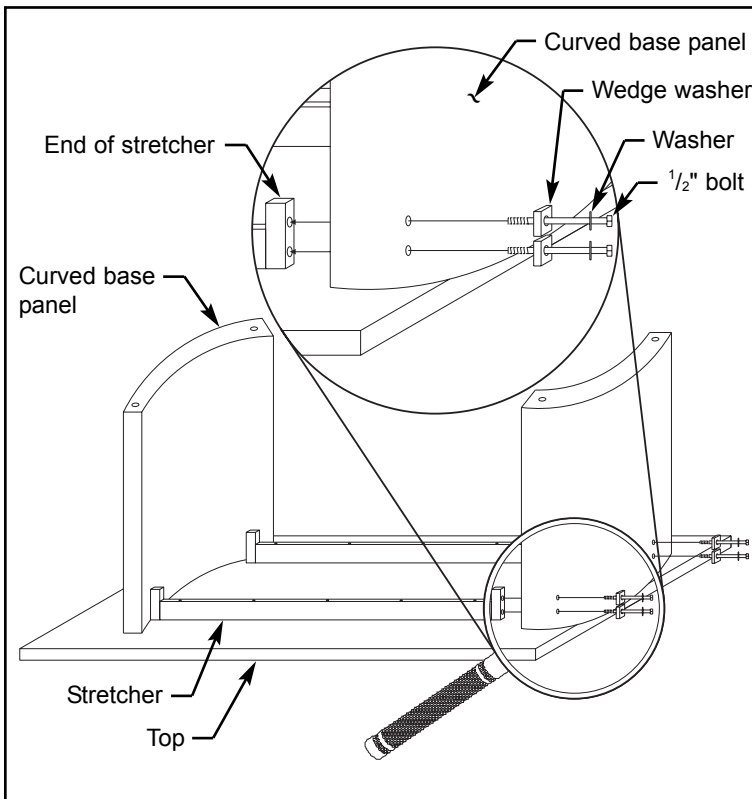


Illustration 2



Read all instructions and review illustrations before installing.

Tools required for assembly:
 1/2" socket Rubber mallet
 Socket wrench 24" long level

This assembly includes:
 (1) Top
 (2) Curved base panels
 (8) 1/2" bolt
 (8) 3/8" washer
 (8) Wedge washer
 (4) Glide insert
 (4) Glide

⚠ WARNING
 To prevent the possibility of serious eye injury, always wear eye protection when using power tools.
 Heavy panels can pinch or crush fingers. Do not place fingers between or under panels during assembly.

Installation:

1. Refer to Illustration 1. Lay top, with stretchers facing up, on cardboard or a carpeted surface.
2. Refer to Illustration 1. Position curve panels against stretchers and align pre-drilled holes in base panel with holes in ends of each stretcher.
3. Place a washer (from hardware pack) and wedge washer (from hardware pack) onto each 1/2" bolt (from hardware pack).
 Install a bolt (with washer and wedge washer) through each hole in base panel (four per panel) and into ends of stretcher. Use the 1/2" socket and wrench to fully tighten bolts.
4. Refer to Illustration 2. Thread a glide (from hardware pack) into each glide insert (from hardware pack) by turning glide clockwise until glide is flat against insert.
 Locate two holes in bottom of each base panel. Use the rubber mallet to install a glide/glide insert assembly into each hole.
5. Use two or more people to set table upright and to position table were desired.
 Adjust glides until table is level from front-to-rear and side-to-side. Use the 24" long level to verify table is level.

Illustration 2

