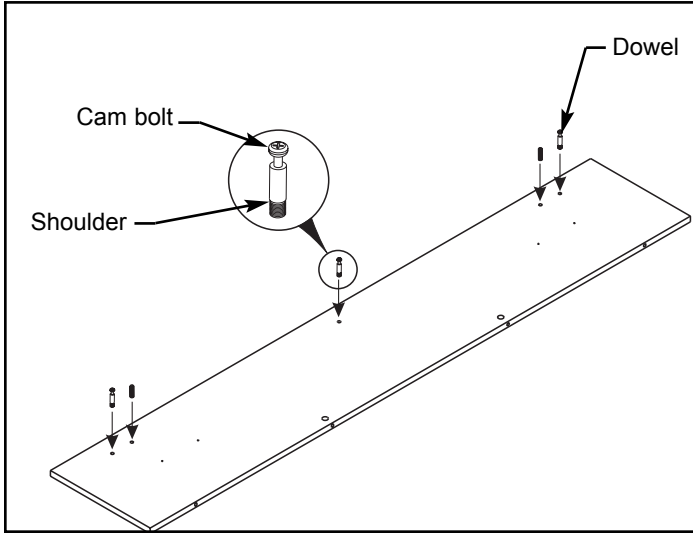


STACK-ON UNIT

INSTALLATION INSTRUCTIONS

Illustration 1



Read all instructions and review illustrations before installing.

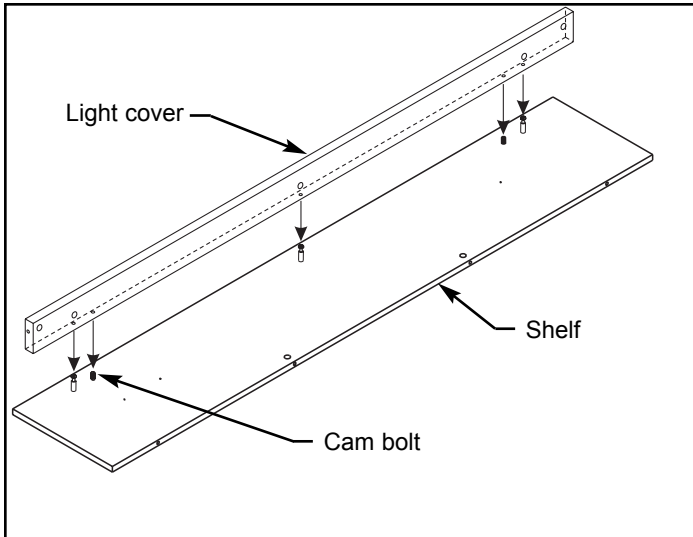
Tools required for assembly:

Tape measure	Masking tape
Safety glasses	Rubber mallet
Power screwdriver with Phillips bit	

This assembly includes:

(1) Top panel	(4) Door
(1) Right end panel	(22) Dowel
(1) Left end panel	(1) Back panel
(8) Hinge	(26) Minifix bolt
(8) Mounting plate	(26) Minifix cam
(10) Connector cover	(1) Shelf
(1) Center cover panel	(1) Light cover
(4) Felt pad	

Illustration 2



⚠ WARNING

Wood products are heavier than they appear and may be hard to control when moving. Use two or more people when moving wood products or severe personal injury may result.

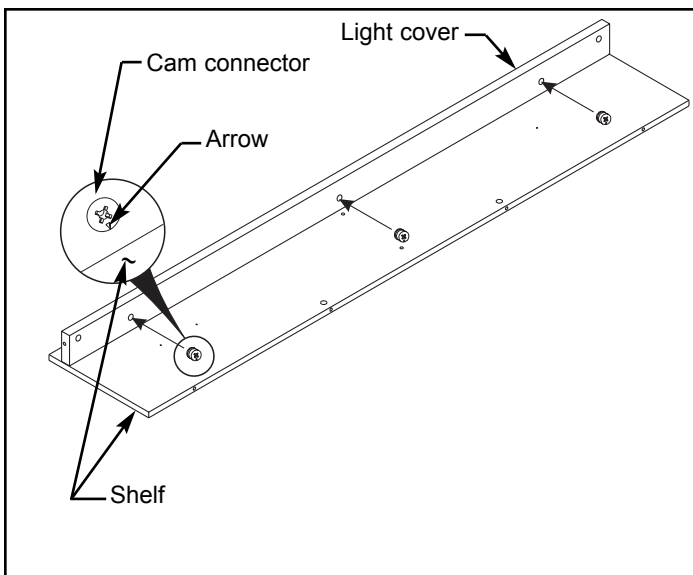
Heavy panels can pinch or crush fingers. Do not place fingers between or under panels during assembly.

To prevent the possibility of serious eye injury, always wear eye protection when hammering and using power tools.

Assembly:

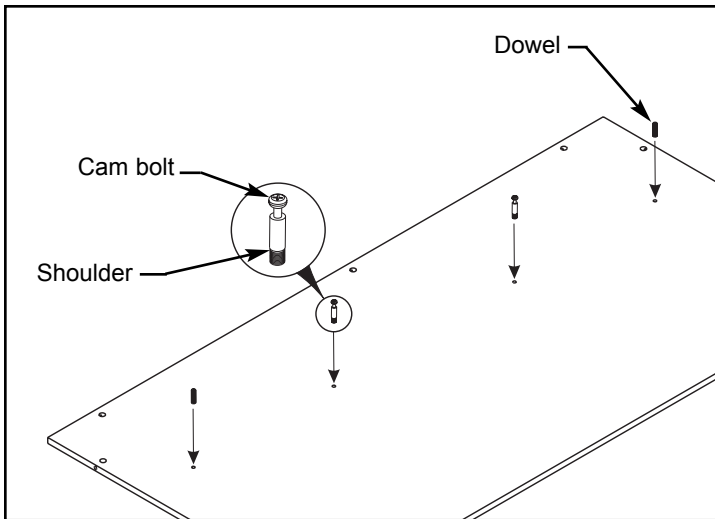
1. Refer to Illustration 1. Lay shelf, with holes up, on cardboard or a carpeted surface. Use rubber mallet to install two dowels (from hardware pack) into locations shown.
2. Use Phillips screwdriver to install three cam bolts (from hardware pack) into locations shown. Tighten cam bolts until cam bolt shoulder is flush against brass insert.
3. Refer to Illustration 2. Install light cover by inserting ends of cam bolts, attached to shelf, into holes drilled into side of light cover. Insert cam bolts as far as possible.
4. Refer to Illustration 3. With arrows facing shelf, install a cam connector (from hardware pack) into holes along side of light cover. Use Phillips screwdriver to tighten cam connectors. Turn cam connectors clockwise to tighten (1/4 to 1/2 turn).

Illustration 3



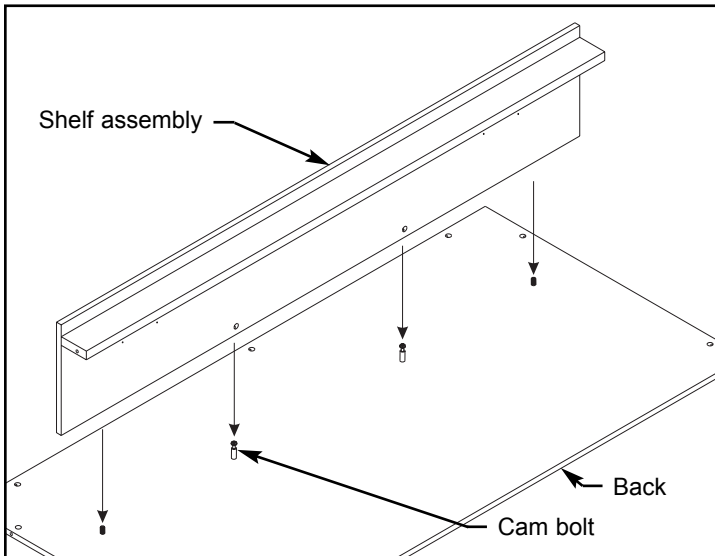
STACK-ON UNIT

Illustration 4



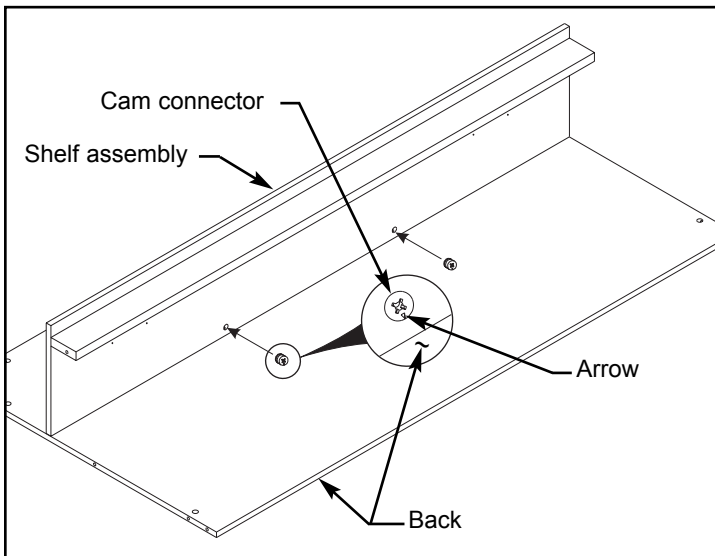
5. Refer to Illustration 4. Lay back panel, with holes up, on cardboard or a carpeted surface. Use rubber mallet to install two dowels (from hardware pack) into locations shown.
6. Use Phillips screwdriver to install two cam bolts (from hardware pack) into locations shown. Tighten cam bolts until cam bolt shoulder is flush against brass insert.

Illustration 5



7. Refer to Illustration 5. Install shelf assembly by inserting ends of cam bolts, attached to back panel, into holes drilled into side of shelf assembly. Insert cam bolts as far as possible.

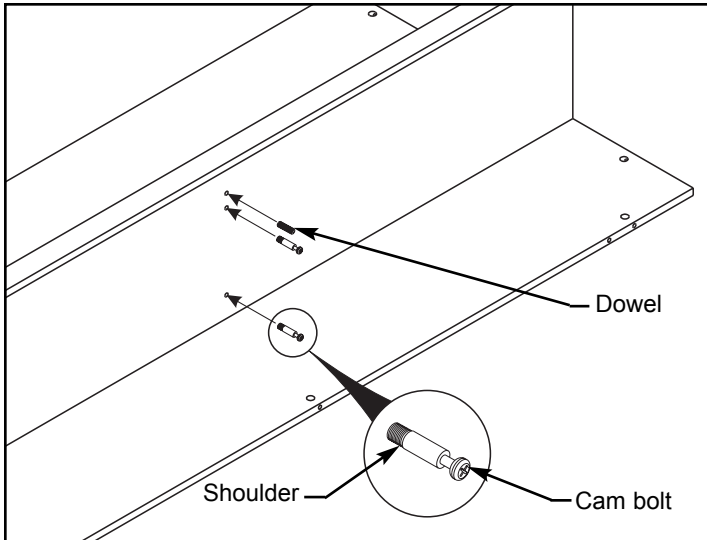
Illustration 6



8. Refer to Illustration 6. With arrows facing back panel, install a cam connector (from hardware pack) into holes along side of shelf assembly. Use Phillips screwdriver to tighten cam connectors. Turn cam connectors clockwise to tighten (1/4 to 1/2 turn).

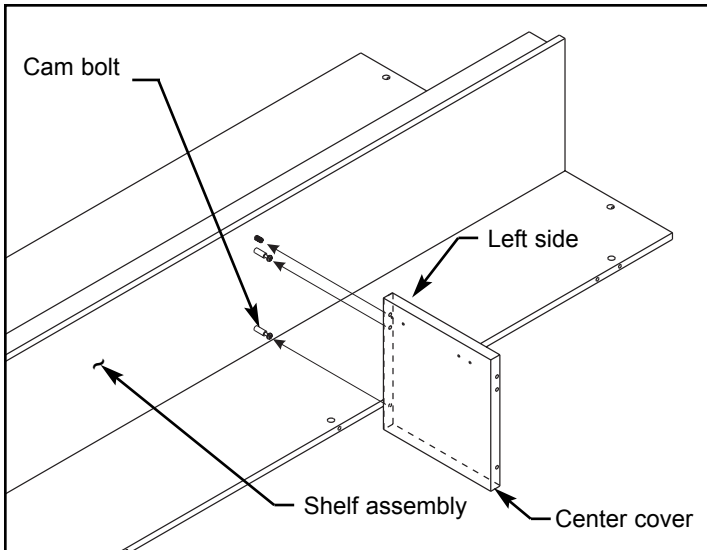
STACK-ON UNIT

Illustration 7



9. Refer to Illustration 7. Use rubber mallet to install a dowel (from hardware pack) into shelf assembly at location shown.
10. Use Phillips screwdriver to install two cam bolts (from hardware pack) into shelf assembly at locations shown. Tighten cam bolts until cam bolt shoulder is flush against brass insert.

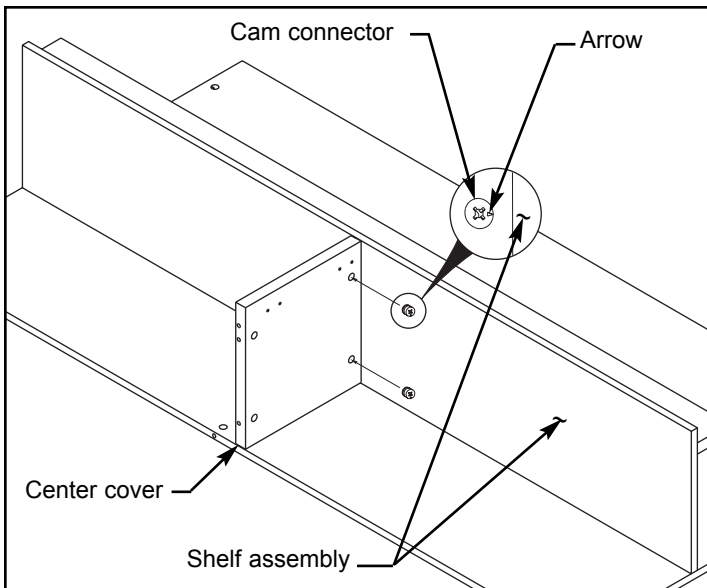
Illustration 8



11. Refer to Illustration 8. **NOTE:** Cam connector holes must be on left side for correct installation.

Install center cover panel by inserting ends of cam bolts, attached to shelf assembly, into holes drilled into side of center cover panel. Insert cam bolts as far as possible.

Illustration 9

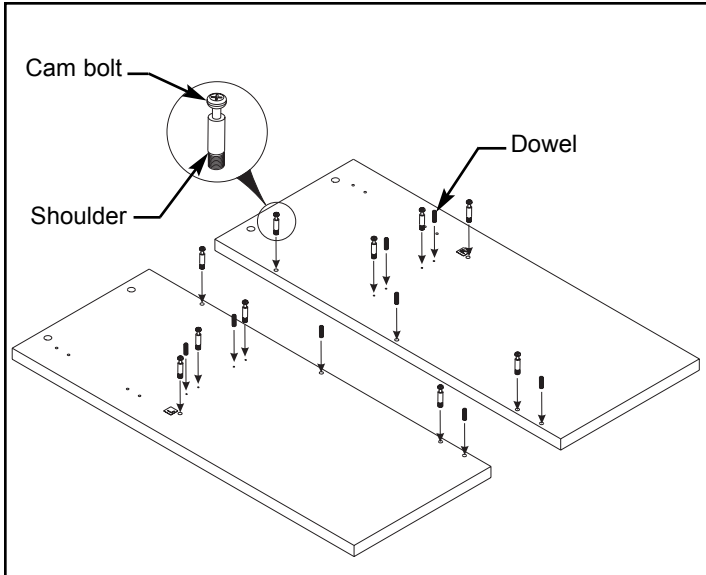


12. Refer to Illustration 9. **NOTE:** Cam connector holes must be on left side for correct installation.

With arrows facing shelf assembly, install a cam connector (from hardware pack) into holes along side of center cover panel. Use Phillips screwdriver to tighten cam connectors. Turn cam connectors clockwise to tighten (1/4 to 1/2 turn).

STACK-ON UNIT

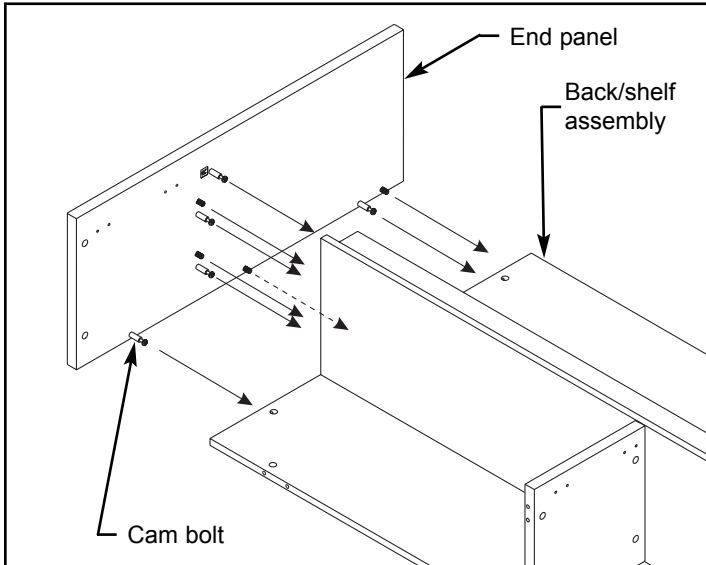
Illustration 10



13. Refer to Illustration 10. Lay end panels, with holes up, on cardboard or a carpeted surface. Use rubber mallet to install eight dowels (from hardware pack) into locations shown.

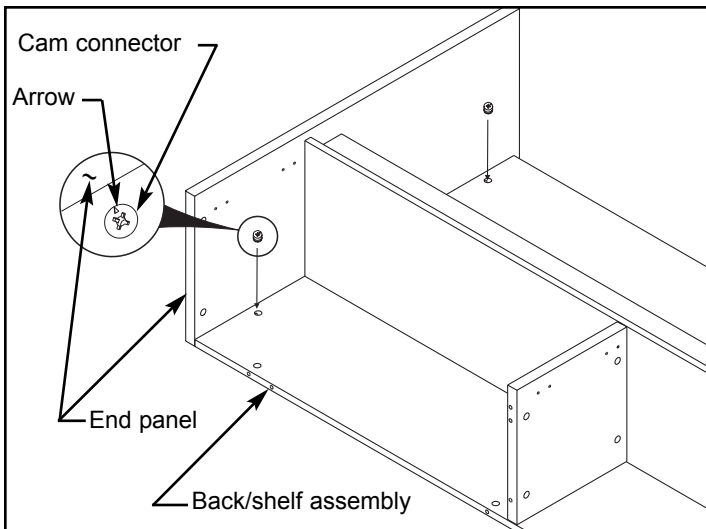
14. Use Phillips screwdriver to install ten cam bolts (from hardware pack) into locations shown. Tighten cam bolts until cam bolt shoulder is flush against brass insert.

Illustration 11



15. Refer to Illustration 11. Install end panel by inserting ends of cam bolts, attached to end panel, into holes drilled into side of back/shelf assembly. Insert cam bolts as far as possible.

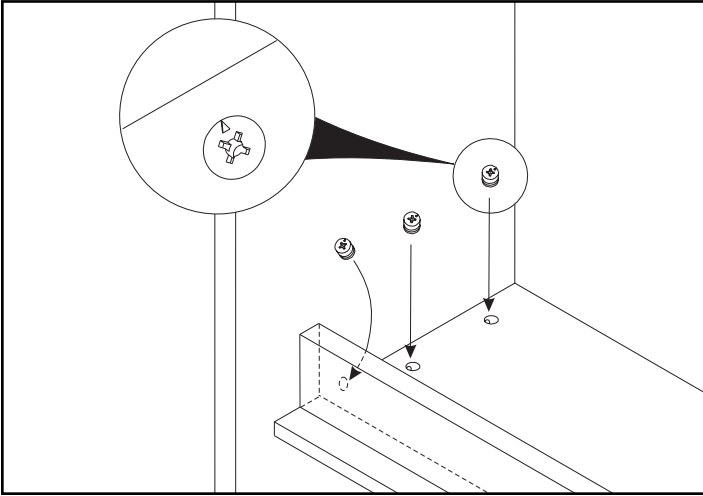
Illustration 12



16. Refer to Illustration 12. With arrows facing end panel, install a cam connector (from hardware pack) into two holes along side of back/shelf assembly. Use Phillips screwdriver to tighten cam connectors. Turn cam connectors clockwise to tighten (1/4 to 1/2 turn).

STACK-ON UNIT

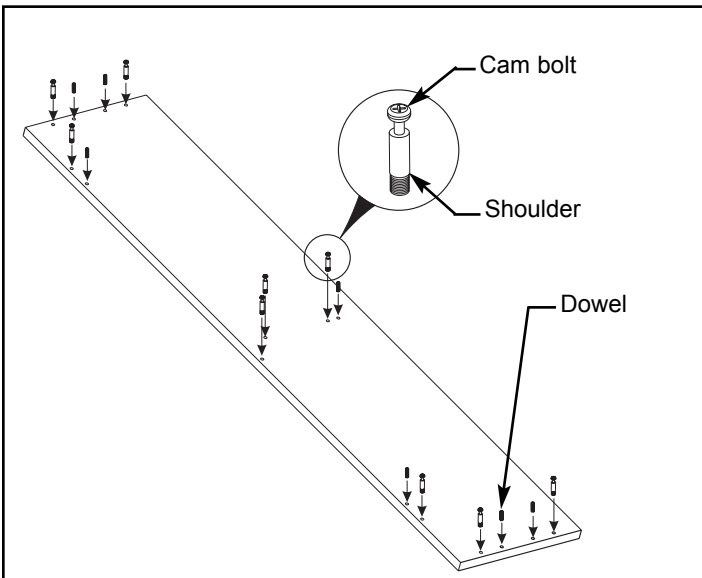
Illustration 13



17. Refer to Illustration 13. With arrow facing end panel, install three cam connectors (from hardware pack) into holes along side of light cover assembly, as shown. Use Phillips screwdriver to tighten cam connector. Turn cam connectors clockwise to tighten (1/4 to 1/2 turn).

18. Repeat steps 15 through 17 for remaining end panel.

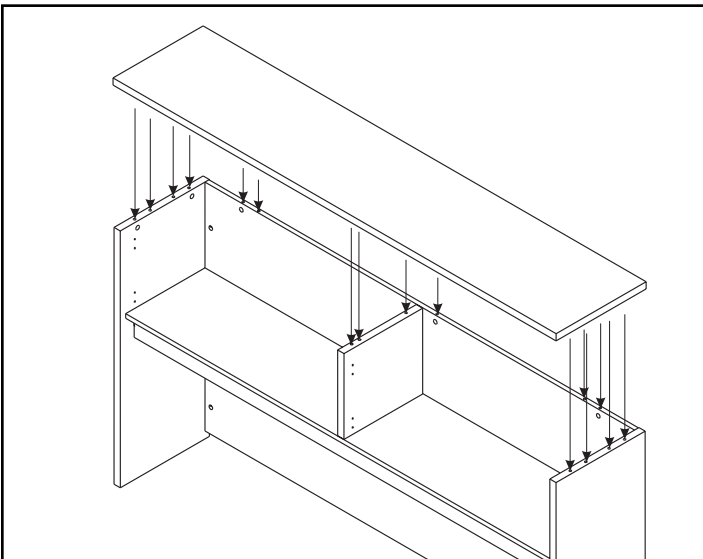
Illustration 14



19. Refer to Illustration 14. Lay top panel, with holes up, on cardboard or a carpeted surface. Use rubber mallet to install seven dowels (from hardware pack) into locations shown.

20. Use Phillips screwdriver to install nine cam bolts (from hardware pack) into locations shown. Tighten cam bolts until cam bolt shoulder is flush against brass insert.

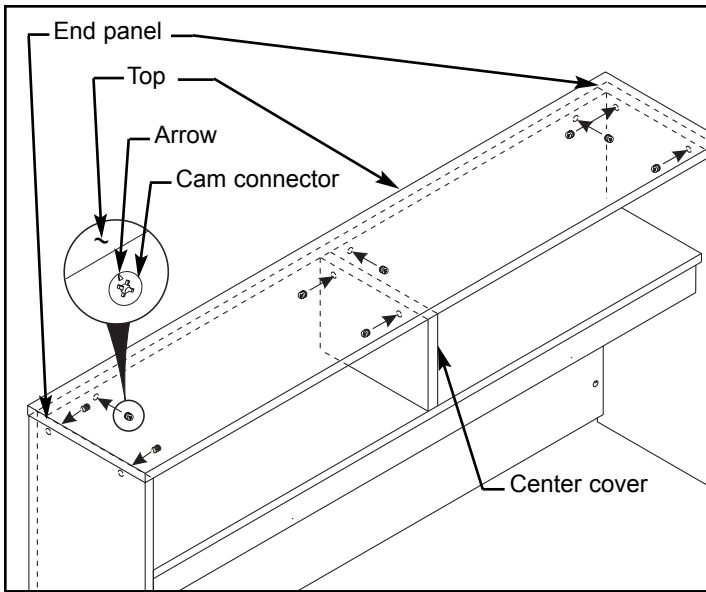
Illustration 15



21. Refer to Illustration 15. Install top panel by inserting ends of cam bolts, attached to end panel, into holes drilled into side of back/shelf assembly. Insert cam bolts as far as possible.

STACK-ON UNIT

Illustration 16

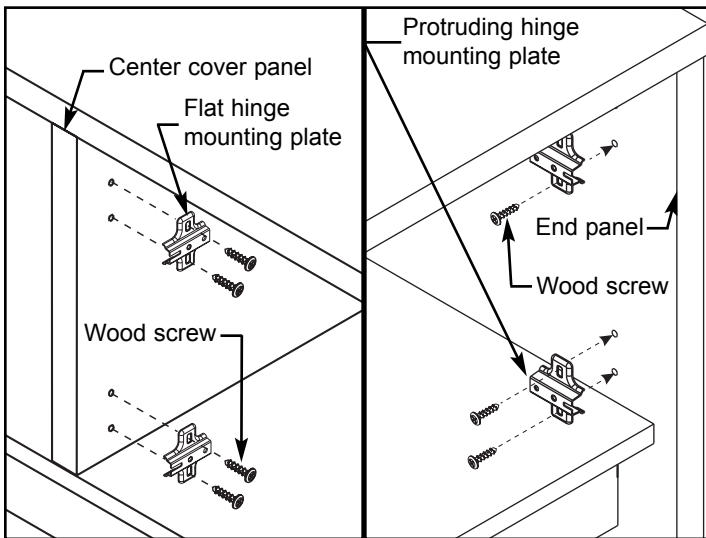


22. Refer to Illustration 16. With arrows facing top panel, install a cam connector (from hardware pack) into nine holes along side of back panel, end panels, and center cover panel. Use Phillips screwdriver to tighten cam connectors. Turn cam connectors clockwise to tighten (1/4 to 1/2 turn).

IMPORTANT

Unit comes with two styles of hinge mounting plates. Protruding hinge mounting plates are attached to inside end panels. Flat hinge mounting plates are attached to center cover panel.

Illustration 17



23. Refer to Illustration 17. Position four protruding hinge mounting plates, groove side out, against each end panel as shown.

24 Always wear eye protection when using power tools. Use power screwdriver with Phillips bit to install two wood screws through each protruding hinge mounting plate and into end panels. Fully tighten wood screws.

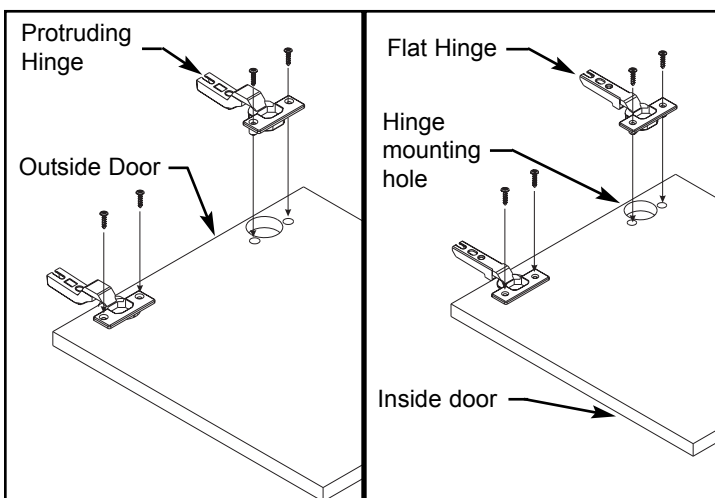
25. Position four flat hinge mounting plates, groove side out, against each side of center cover panel as shown.

26 Always wear eye protection when using power tools. Use power screwdriver with Phillips bit to install two wood screws through each flat hinge mounting plate and into center cover panels. Fully tighten wood screws.

IMPORTANT

Unit comes with two styles of hinges. Protruding hinges are attached to outside doors. Flat hinge mounting plates are attached to inside doors.

Illustration 18

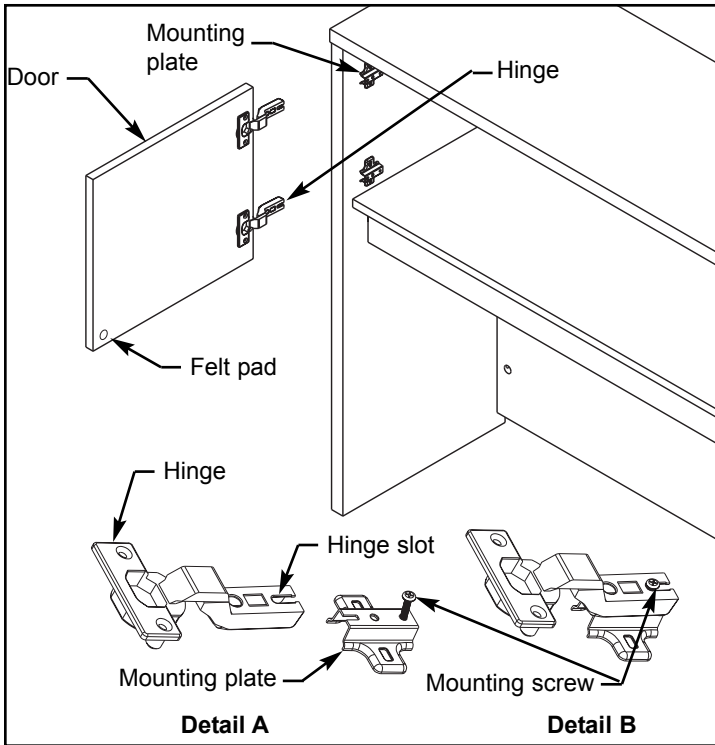


27. Refer to Illustration 18. Lay doors, with hinge mounting holes up, on cardboard or a carpeted surface.

Use power screwdriver with Phillips bit to attach hinges to doors using wood screws, as shown.

105 STACK-ON UNIT

Illustration 19



28. Refer to Illustration 19. Attach door, with hinges, to stack-on unit.

Refer to Detail A. Insert mounting screw on mounting plate into hinge slot.

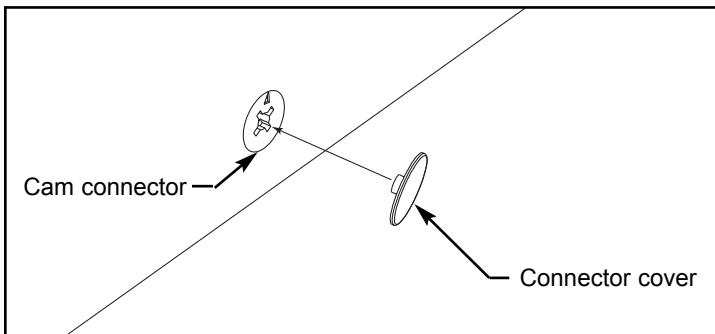
Refer to Detail B. Slide hinge rearward until mounting screw is at front of hinge slot.

Use Phillips screwdriver to tighten mounting screw.

29. Install self sticking felt pad as shown.

30. Repeat steps 28 and 29 for remaining doors.

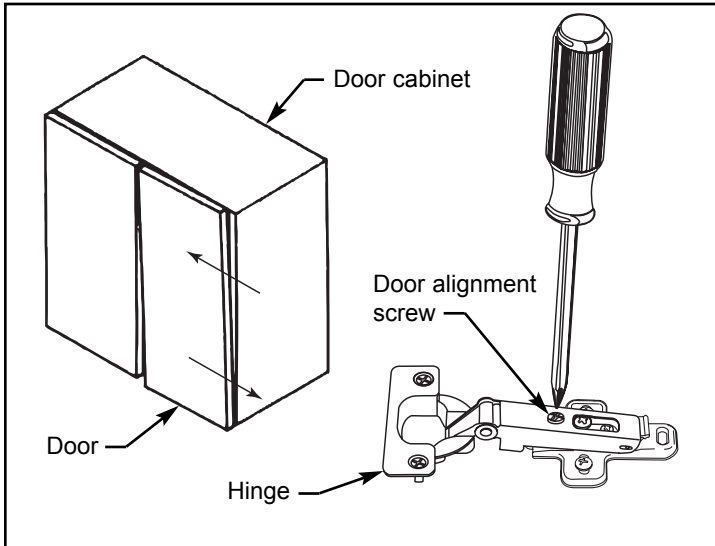
Illustration 20



31. Refer to Illustration 20. Install connector covers (from hardware pack) onto exposed cam connectors as shown.

105 STACK-ON UNIT

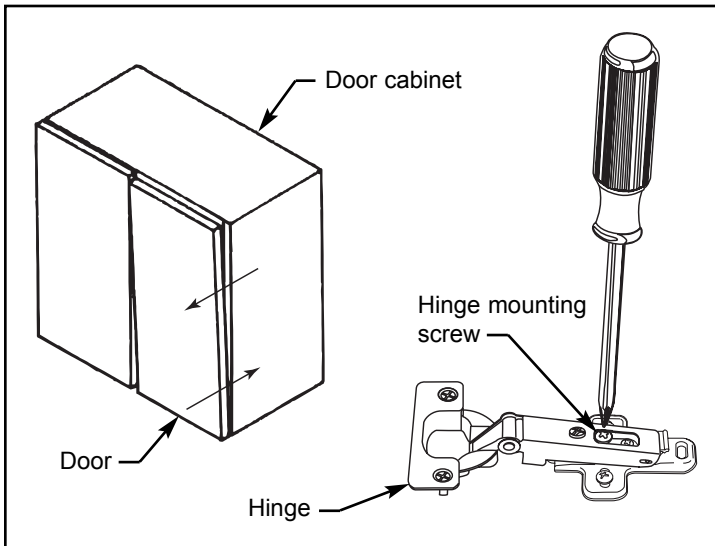
Illustration 21



Side-To-Side Door Hinge Adjustment Instructions (refer to Illustration 21):

1. Fully open cabinet doors.
2. Locate door alignment screw on door hinge assembly.
3. Use Phillips screwdriver to adjust door alignment screw.
4. Turn door alignment screw clockwise to adjust door out or counterclockwise to adjust door in.

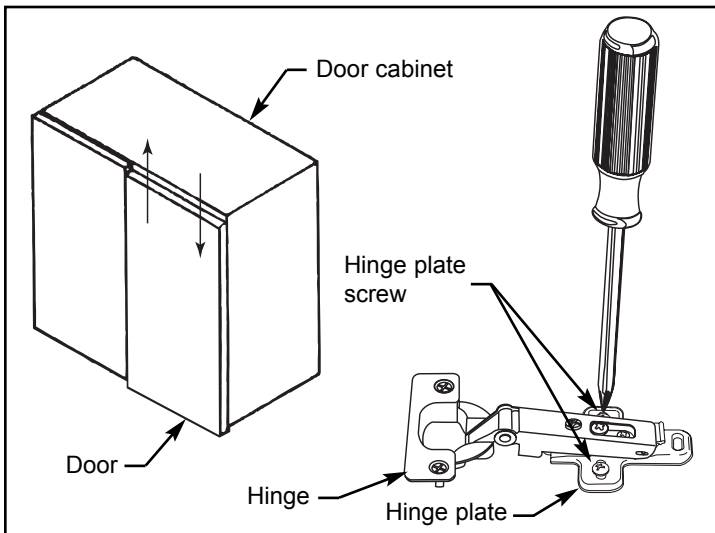
Illustration 22



Front-To-Back Door Hinge Adjustment Instructions (refer to Illustration 22):

1. Fully open cabinet doors.
2. Locate hinge mounting screw on door hinge assembly.
3. Use Phillips screwdriver to loosen (but do not remove) hinge mounting screw.
4. Adjust alignment of door and retighten hinge mounting screw.

Illustration 23



Up-Or-Down Door Hinge Adjustment Instructions (refer to Illustration 23):

1. Fully open cabinet door.
2. Locate hinge plate screw on door hinge plate assemblies.
3. Use the Phillips screwdriver to loosen hinge plate screws on both upper and lower hinge plates.
4. Move door up or down as necessary to match other door.
5. Tighten hinge plate screws on both hinge plate assemblies.

STACK-ON UNIT

Illustration 24

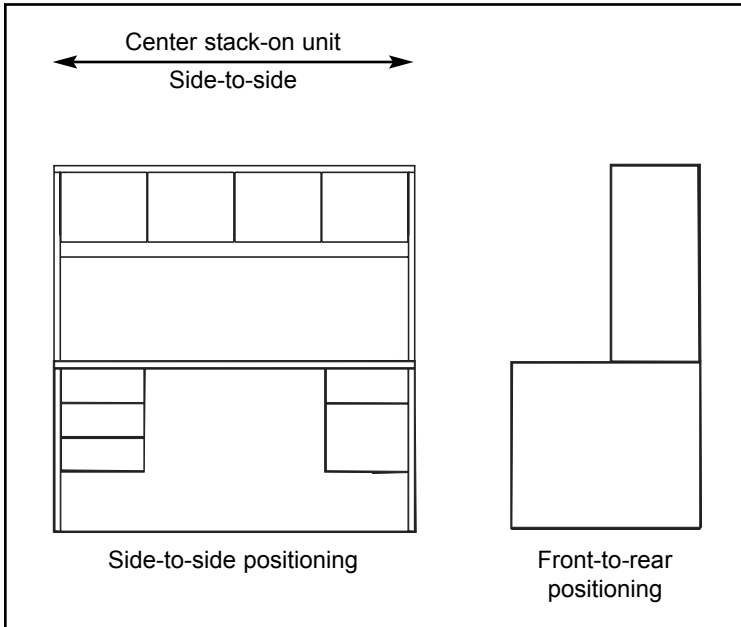
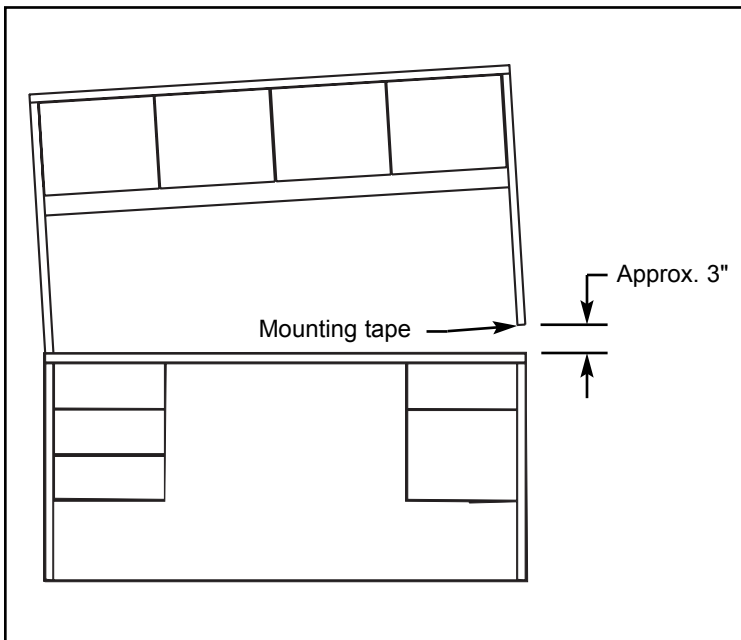


Illustration 25



IMPORTANT

Ensure all assembly requirements have been properly completed. Read all of the following instructions before proceeding. Mounting surface of shell desk must be clean and free of any wax or oil residue.

Do not remove protective cover on mounting tape until instructed to.

1. Refer to Illustration 24. Use two or more people to position stack-on unit onto desk/credenza. Unit should be flush at rear and be centered from side-to-side. **DO NOT remove protective cover from mounting tape on bottom edge of end panels.**
2. After aligning stack-on unit, place masking tape on top of desk/credenza to mark each end panel position.

IMPORTANT

Mounting tape used to secure stack-on unit is extremely sensitive and is designed to be a permanent installation. Attempting to remove stack-on unit will cause severe damage to surface of desk/credenza.

3. Refer to Illustration 25. Lift one end of stack-on unit up approximately 3". Be especially careful not to apply any pressure which may cause the opposite end of stack-on unit to slip off desk/credenza.
4. While stack-on unit is raised, remove protective cover from mounting tape. While maintaining alignment, carefully lower stack-on unit and realign end panel with masking tape. Repeat this procedure for remaining end panel.

⚠ WARNING

Do not lean on, bump, or load storage shelf of this stack-on unit for a period of 12 hours minimum after the mounting tape has been in contact with desk/credenza. Do not use unit without the mounting tape. Failure to follow this warning can cause the stack-on unit to tip and fall, resulting in severe injury to yourself or others.